

Certification

As a leader in quality manufacturing, T&S proudly displays the certifications of the International Standardization Organization (ISO), Underwriters Laboratories (UL), and CSA International (Canadian Standards Association).

The company's ISO-9001:2000 certification is based on an evaluation of its performance of the jobs and processes that potentially affect product quality. T&S guarantees its products will be manufactured to the highest standards in the industry with the finest craftsmanship possible.



Underwriters Laboratories plays a key role in the T&S certifications to the ISO-9001:2000 standard. As the Quality Systems Registrar, UL was responsible for the entire registration process and will oversee periodic assessments to help T&S maintain its goal of exceeding customer expectations for quality manufacturing and service.

The CSA International certification T&S holds is further demonstration of the company's commitment to the needs of its customers and their communities. Following an evaluation for both the leaching of contaminants into drinking water from faucets and the mechanical quality standards, CSA International certified T&S to the ANSI/NSF Standard 61, Section 9 regulation for Drinking Water Systems (Health Effects). In short, this recognition certifies that T&S products are both safe for use within any drinking water system and adhere to the mechanical quality standards for ease of installation, operation, and reliability.

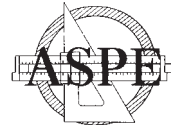
Holding certifications from three organizations recognized around the world is yet another demonstration of the T&S dedication to deliver quality to customers around the world.



Endorsed by



Associations



Foodservice Condensed Catalog

Table of Contents



RELIABILITY BUILT INSM

Models	Page
006678-45	68-69
B-0100	4-5
B-0100-08	4-5
B-0100-C	4-5
B-0101	6-7
B-0101-A	6-7
B-0102	8-9
B-0102-A	8-9
B-0107	10-11
B-0107-C	10-11
B-0107-C35	10-11
B-0108	12-13
B-0108-C	12-13
B-0113	14-15
B-0113-A10-B08	16
B-0113-B	14-15
B-0123	18-19
B-0123-B	18-19
B-0131	20-21
B-0131-B	20-21
B-0133	22-23
B-0133-01	22-23
B-0133-A10-B08	17
B-0133-B	22-23
B-0175	24-25
B-0200	26-27
B-0201	26-27
B-0205	28-29
B-0207	28-29
B-0208	30-31
B-0220	32-33
B-0221	32-33
B-0221-CC	32-33
B-0225	40-41
B-0230	34-35
B-0231	34-35
B-0231-CC	34-35
B-0231-EE	34-35
B-0232-EE	34-35
B-0290	36-37
B-0300	38-39
B-0325	40-41
B-0502	42-43
B-0502-SL	42-43
B-0504	44-45
B-0504-SL	44-45
B-0507	42-43
B-0507-SL	42-43

Models	Page
B-0575	46-47
B-0580	48-49
B-0592	48-49
B-0605	50-51
B-0610	50-51
B-0665-BSTP	52-53
B-0665-BSTR	52-53
B-0665-RGH	52-53
B-0950	54-55
B-1110	60-61
B-1115	56-57
B-1120	58-59
B-1121	58-59
B-1123	58-59
B-1141	60-61
B-1146	56-57
B-1200	62-63
B-1205	62-63
B-1210	64-65
B-1210-01	64-65
B-1230	66-67
B-2282	68-69
B-2282-01	68-69
B-3950	70-71
B-3952	70-71
B-3960	72-73
B-3962	72-73
B-7122-C01	74-75
B-7122-C01M	74-75
B-7122-C02	74-75
B-7122-C05	74-75
B-7122-C08M	74-75
B-7122-C010	74-75
B-7132-01	76-77
B-7132-01M	76-77
B-7132-02	76-77
B-7132-05	76-77
B-7132-08M	76-77
B-7132-010	76-77
B-7222-C01	78-79
B-7222-C01M	78-79
B-7222-C02	78-79
B-7222-C05	78-79
B-7222-C08M	78-79
B-7222-C010	78-79
B-7232-01	80-81
B-7232-01M	80-81
B-7232-02	80-81

Models	Page
B-7232-05	80-81
B-7232-08M	80-81
B-7232-010	80-81
EC-3100	82-83
EC-3100-SM	84-85
EC-3101	82-83
EC-3102	82-83
EC-3102-SM	82-83
EC-3103	82-83
HG-xx Gas and Stationary Appliance Connectors	86

Accessories	Page
Adapters-Conversion	91
Adapters-Hose	91
Add-On Faucets	93
Aerators	92
Fittings – Outlets	92
Fittings – Other	92
Flexible Stainless Steel Hoses	93
Handles –	
Club - Decorative	92
Cross - Decorative	92
Dome	91
Four-Arm	91
Lever	91
Swirl - Decorative	92
Wrist-Action	91
Rigid Goosenecks	89
Rigid Vacuum Breaker	
Goosenecks	90
Swing Nozzles	89
Swivel Cast Spouts	90
Swivel Goosenecks	89
Swivel Vacuum Breaker	
Goosenecks	90
Vacuum Breaker Swing Nozzles with Garden Hose Thread	90
Vacuum Breaker Swing Nozzles with Stream Regulator	90
Wall Brackets	93



RELIABILITY BUILT IN

B-0100, B-0100-C and B-0100-08

Pre-Rinse Spray Units with Stainless Steel Hose

Description

Pre-rinse spray unit with flexible stainless steel hose and automatic shut-off valve with spray head

Models

- B-0100** Pre-Rinse Spray Unit with B-0107 Spray Valve
- B-0100-C** Pre-Rinse Spray Unit with B-0107-C Low Flow Spray Valve
- B-0100-08** Pre-Rinse Spray Unit with B-0108 JetSpray Valve

Flow Rate

- B-0100** 1.42 gpm @ 60 psi
- B-0100-C** 1.24 gpm @ 60 psi
- B-0100-08** 1.48 gpm @ 60 psi



Specifications

Pre-Rinse Spray Units with Flexible Stainless Steel Hoses and Automatic Shut-Off Valves with Hold-Down Ring with the following features:

- 1/2" NPT male inlet
- Designed for heavy use in the kitchen
- 3' flexible stainless steel hose (B-0044-H)
- 48-1/2" overall length

B-0100 includes B-0107 spray valve

B-0100-C includes B-0107-C low flow spray valve

B-0100-08 includes B-0108 JetSpray Valve

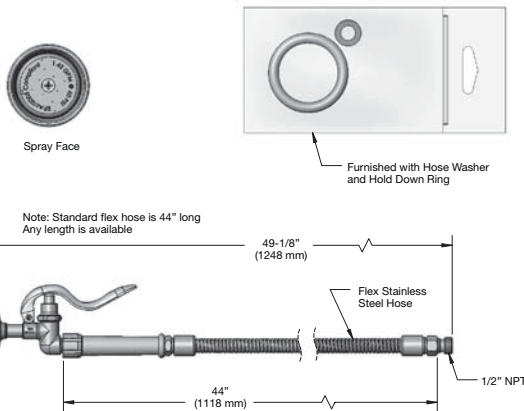
Notes:

Alternate Adapters available – see Adapter Chart on p. 93

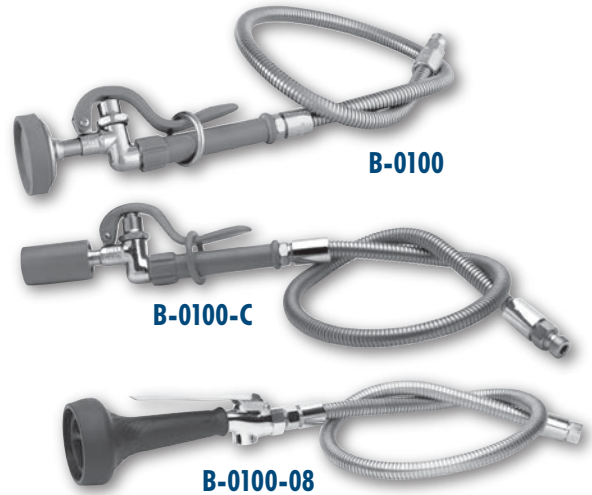
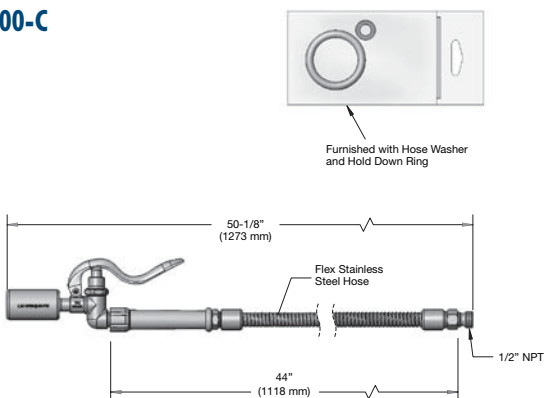
Various length hoses available – see Hose Chart on p. 95

Dimensions

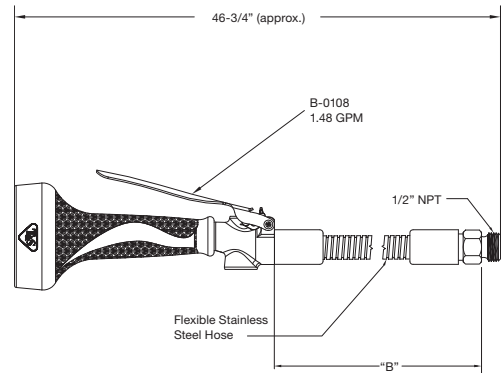
B-0100



B-0100-C



B-0100-08



Features

- Chrome plated brass construction
- Automatic shut-off valve
- Flexible stainless steel hose
- Hold-down ring

Compliant to:

- ASME A112.18.1M
- NSF 61, Sec. 9
- CSA B125
- ADA
- EPA Act 2005

Warranty

1 year (limited)



T&S Brass and Bronze Works, Inc. • 2 Saddleback Cove, P.O. Box 1088 • Travelers Rest, SC 29690
Ph 864-834-4102 • Fax 864-834-3518 • www.tsbrass.com

B-0100, B-0100-C and B-0100-08 Spray Assemblies S.S. – Rev. 1 (5/08)
Copyright © 2008 T&S Brass and Bronze Works, Inc. Printed in the USA

This space for Architect/Engineer Approval

Job Name _____ Date _____

Model Specified _____ Quantity _____

Variations Specified _____

Customer/Wholesaler _____

Contractor _____

Architect _____

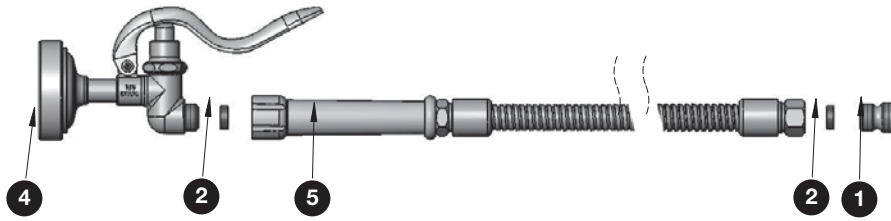
The information contained in this document is subject to change without notice.



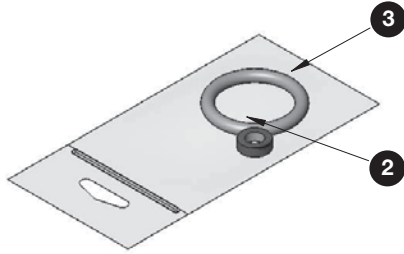
RELIABILITY BUILT IN

B-0100, B-0100-C and B-0100-08

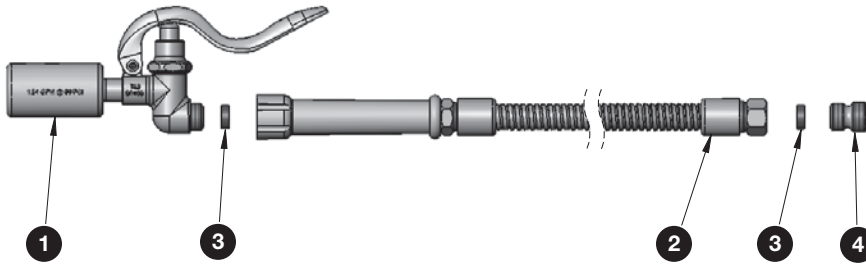
Pre-Rinse Spray Units with Stainless Steel Hose



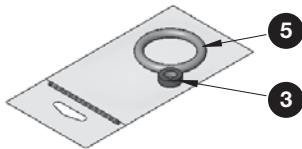
B-0100



No.	Part Number	Description
1	000547-25	Adapter
2	010476-45	#27 Washer
3	000907-45	Hold Down Ring for Spray Valve
4	B-0107	Spray Valve Assembly
5	B-0044-H	Stainless Steel Hose, 44"



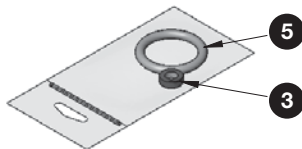
B-0100-C



No.	Part Number	Description
1	B-0107-C	Low Flow Spray Valve Assembly
2	B-0044-H	Stainless Steel Hose, 44"
3	010476-45	#27 Washer
4	000547-25	Adapter
5	000907-45	Hold Down Ring for Spray Valve



B-0100-08



No.	Part Number	Description
1	B-0108	JeTSpray Valve Assembly
2	B-0044-H	Stainless Steel Hose, 44"
3	010476-45	#27 Washer
4	000547-25	Adapter
5	000907-45	Hold Down Ring for Spray Valve

T&S Brass and Bronze Works, Inc. • 2 Saddleback Cove, P.O. Box 1088 • Travelers Rest, SC 29690
 Ph 864-834-4102 • Fax 864-834-3518 • www.tsbrass.com

B-0100, B-0100-C and B-0100-08 Spray Assemblies S.S. – Rev. 1 (5/08)
 Copyright © 2008 T&S Brass and Bronze Works, Inc. Printed in the USA



RELIABILITY BUILT IN

B-0101 and B-0101-A Pre-Rinse Spray with Flexible Stainless Steel Hose

Description

Pre-rinse spray with flexible stainless steel hose

Model

- B-0101** Pre-Rinse Spray Valve with Rosespray
- B-0101-A** Pre-Rinse Spray Valve with 2.2 gpm Aerator

Flow Rate

- Unrestricted

Specifications

Chrome Plated Brass Spray Valve and Flexible Stainless Steel Hose with the following features:

- 1/2" NPT male inlet
- Spray valve with automatic shut-off
- 38" flexible stainless steel hose (013E-36)

B-0101 includes rosespray outlet

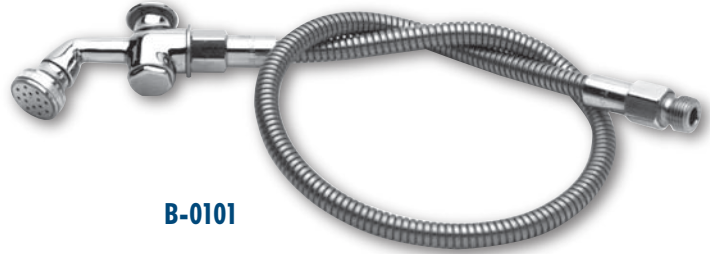
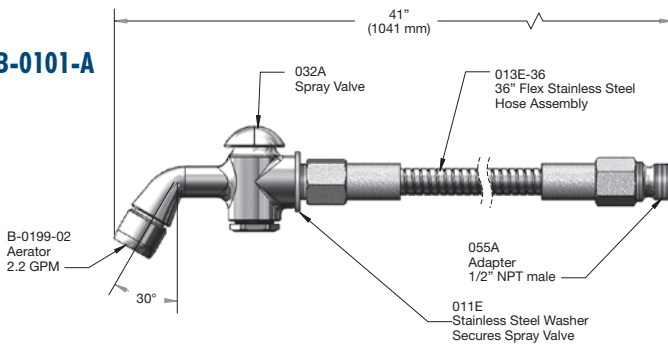
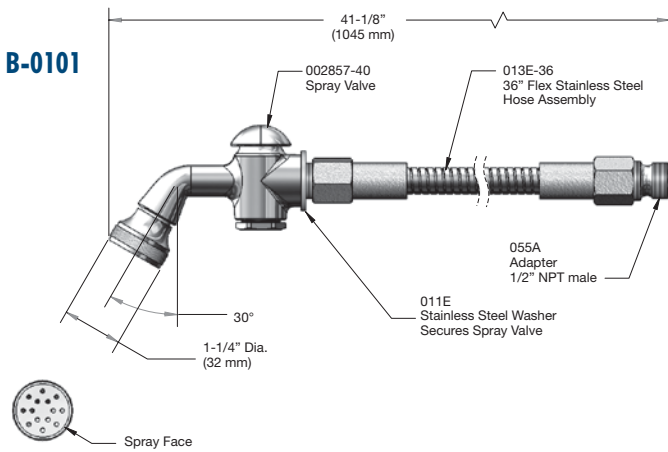
B-0101-A includes (002858-40) spray valve with 2.2 gpm aerator to eliminate splashing

Notes:

Alternate adapters available – see Adapter Chart on p. 93

Various length hoses available – see Hose Chart on p. 95

Dimensions



B-0101

Features

- Chrome plated brass spray valve
- Automatic shut-off
- Flexible stainless steel hose

Compliant to:

- ASME A112.18.1M
- NSF 61, Sec. 9
- CSA B125

Warranty

1 year (limited)

Made in the USA



This space for Architect/Engineer Approval

Job Name _____ Date _____

Model Specified _____ Quantity _____

Variations Specified _____

Customer/Wholesaler _____

Contractor _____

Architect _____

T&S Brass and Bronze Works, Inc. • 2 Saddleback Cove, P.O. Box 1088 • Travelers Rest, SC 29690
Ph 864-834-4102 • Fax 864-834-3518 • Web www.tsbrass.com

B-0101 and B-0101-A Spray Valves S.S. – Rev. 1 (5/08)

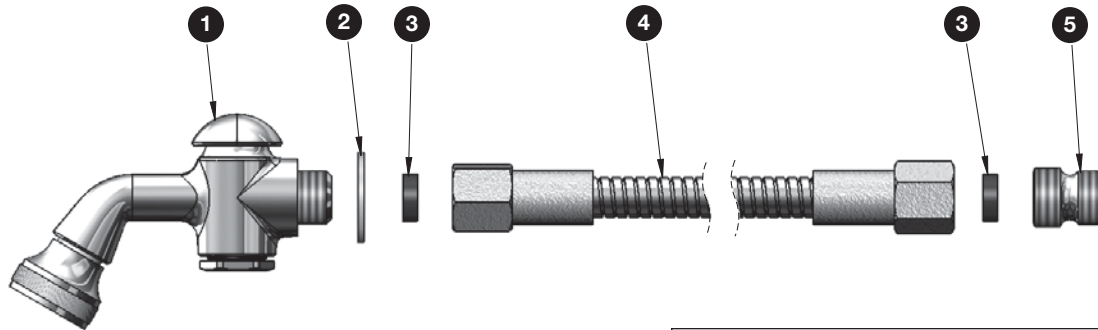
Copyright © 2008 T&S Brass and Bronze Works, Inc. Printed in the USA

The information contained in this document is subject to change without notice.



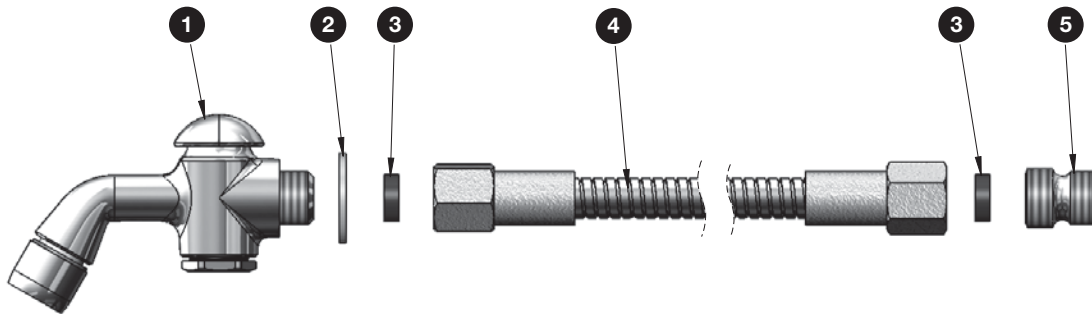
RELIABILITY BUILT IN

B-0101 and B-0101-A Pre-Rinse Spray with Flexible Stainless Steel Hose



B-0101

No.	Part Number	Description
1	002857-40	Spray Valve Assembly
2	011E	Washer
3	010476-45	#27 Washer
4	013E-36	Flex. Stainless Steel Hose, 36"
5	055A	Adapter, 1/2" NPT male



B-0101-A

No.	Part Number	Description
1	032A	Spray Valve Assembly
2	011E	Washer
3	010476-45	#27 Washer
4	013E-36	Flex. Stainless Steel Hose, 36"
5	055A	Adapter, 1/2" NPT male

T&S Brass and Bronze Works, Inc. • 2 Saddleback Cove, P.O. Box 1088 • Travelers Rest, SC 29690
Ph 864-834-4102 • Fax 864-834-3518 • Web www.tsbrass.com

B-0101 and B-0101-A Spray Valves S.S. — Rev. 1 (5/08)
Copyright © 2008 T&S Brass and Bronze Works, Inc. Printed in the USA



RELIABILITY BUILT IN

B-0102 and B-0102-A Pot and Glass Fillers

Description

Pot and Glass Fillers with Flexible Stainless Steel Hose

Model

- B-0102 Pot and Glass Filler
- B-0102-A Pot Filler Hose Assembly

Flow Rate

- Unrestricted

Specifications

Chrome Plated Valve Body and Nozzle, Automatic Shut-Off, Flexible Stainless Steel Hose with the following features:

- Hold-down ring for continuous flow of water
- 1/2" NPT male inlet
- B-0068-H stainless steel hose

B-0102 includes plain end curved nozzle (002866-40)

B-0102-A includes hook nozzle (002851-40) for use on large pots and steam kettles



B-0102

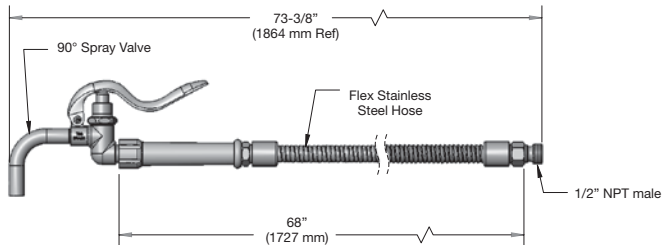


B-0102-A

Dimensions

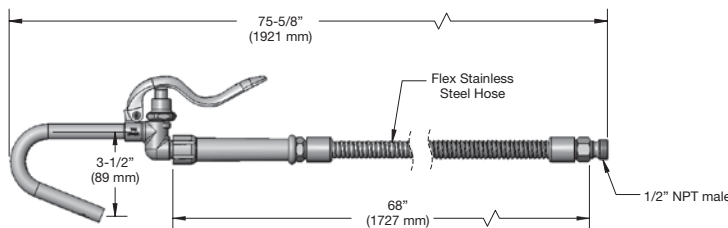
B-0102

Hold Down Ring with Hose Washer



B-0102-A

Hold Down Ring with Hose Washer



Features

- Chrome plated brass valve
- Automatic shut-off
- Hold-down ring
- Curved nozzle or hook nozzle
- Flexible stainless steel hose

Compliant to:

- ASME A112.18.1M
- NSF 61, Sec. 9
- CSA B125
- ADA

Warranty

1 year (limited)

Made in the USA



This space for Architect/Engineer Approval

Job Name _____ Date _____

Model Specified _____ Quantity _____

Variations Specified _____

Customer/Wholesaler _____

Contractor _____

Architect _____

T&S Brass and Bronze Works, Inc. • 2 Saddleback Cove, P.O. Box 1088 • Travelers Rest, SC 29690
Ph 864-834-4102 • Fax 864-834-3518 • Web www.tsbrass.com

B-0102 and B-0102-A Pot and Glass Fillers S.S. — Rev. 1 (5/08)

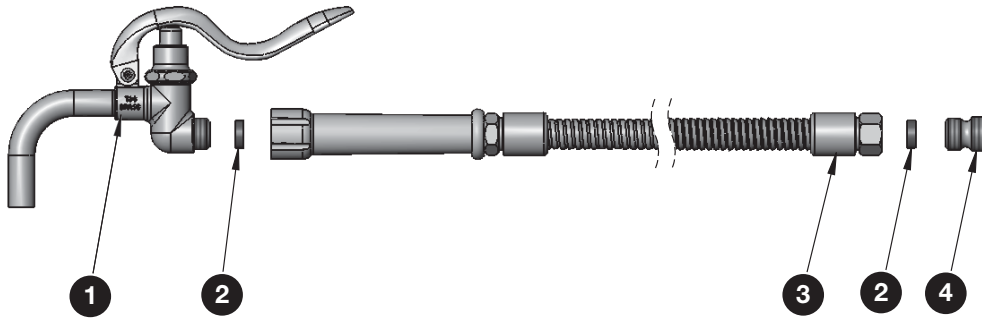
Copyright © 2008 T&S Brass and Bronze Works, Inc. Printed in the USA

The information contained in this document is subject to change without notice.



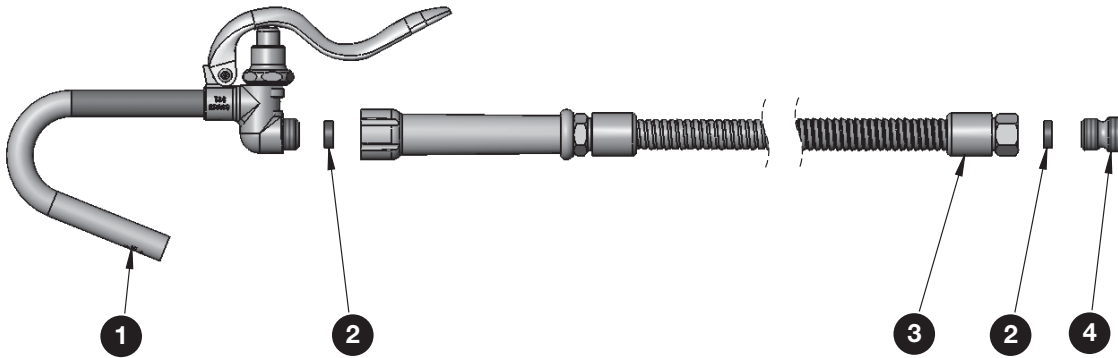
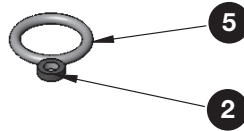
RELIABILITY BUILT IN

B-0102 and B-0102-A Pot and Glass Fillers

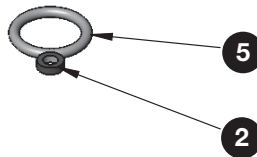


B-0102

No.	Part Number	Description
1	002866-40	Valve and Nozzle Assembly
2	010476-45	#27 Washer
3	B-0068-H	Flex. Stainless Steel Hose, 68"
4	000547-25	Adapter
5	000907-45	Hold Down Ring for Spray Valve



B-0102-A



No.	Part Number	Description
1	002851-40	B-187 Spray Valve & Hook Nozzle Assembly
2	010476-45	#27 Washer
3	B-0068-H	Flex. Stainless Steel Hose, 68"
4	000547-25	Adapter
5	000907-45	Hold Down Ring for Spray Valve

T&S Brass and Bronze Works, Inc. • 2 Saddleback Cove, P.O. Box 1088 • Travelers Rest, SC 29690
Ph 864-834-4102 • Fax 864-834-3518 • Web www.tsbrass.com

B-0102 and B-0102-A Pot and Glass Fillers S.S. — Rev. 1 (5/08)
Copyright © 2008 T&S Brass and Bronze Works, Inc. Printed in the USA



RELIABILITY BUILT IN

B-0107, B-0107-C and B-0107-C35 Pre-Rinse Spray Valves

Description

Pre-Rinse Spray Valves

Model

- B-0107** Pre-Rinse Spray Valve
- B-0107-C** Low Flow Spray Valve
- B-0107-C35** Low Flow Spray Valve with 35° Angle Spray



Flow Rate

- B-0107** 1.42 gpm @ 60 psi
- B-0107-C, B-0107-C35** 1.24 gpm @ 60 psi

Specifications

Chrome Plated Brass Spray Valve and Handle with the following features:

- Designed for heavy use in commercial kitchens
- Connects to any T&S flexible stainless steel hose or handle assembly
- Automatic shut-off
- Hold-down ring

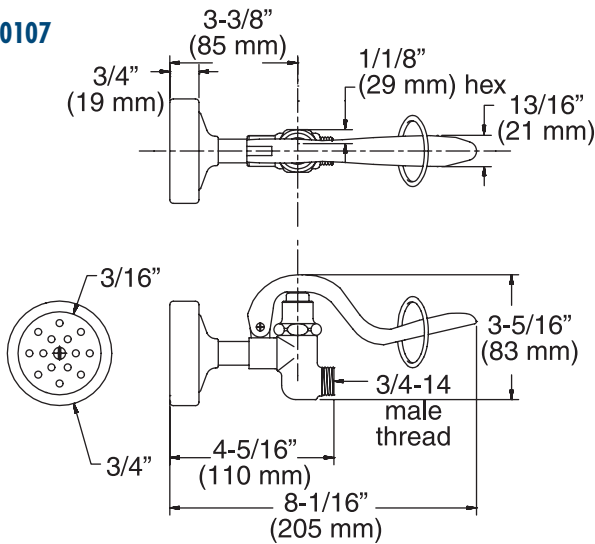
B-0107 with 1.42 gpm @ 60 psi, conserves water and saves energy

B-0107-C with fan jet with knife action, has 1.24 gpm @ 60 psi, conserves water and saves energy

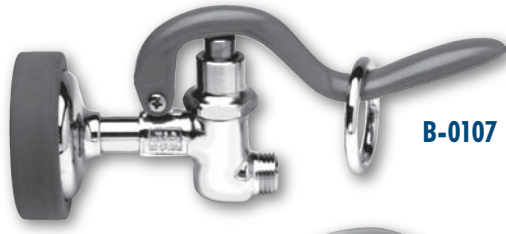
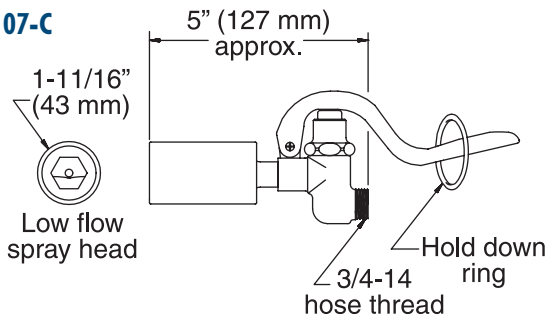
B-0107-C35 includes 35° angle spray, fan jet with knife action, conserves water and saves energy

Dimensions

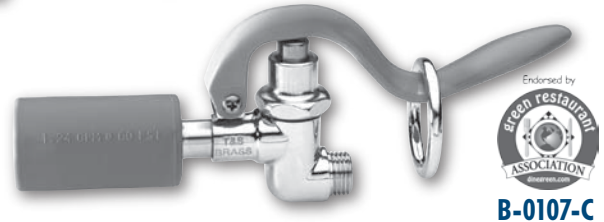
B-0107



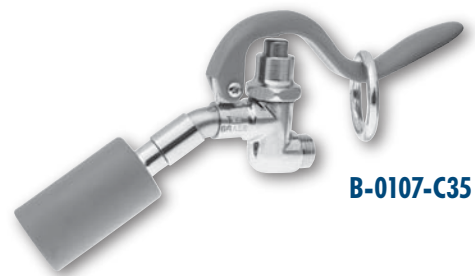
B-0107-C



B-0107



B-0107-C



B-0107-C35

Features

- Chrome plated brass construction
- Hold-down ring
- Valve has automatic shut-off
- B-0107 – 1.42 gpm flowrate @ 60 psi
- B-0107-C, B-0107-C35 models – 1.24 gpm @ 60 psi

Compliant to:

- ASME A112.18.1M
- NSF 61, Sec. 9
- ADA
- EPA Act 2005
- CSA B125

Warranty

1 year (limited)

Made in the USA



This space for Architect/Engineer Approval	
Job Name _____	Date _____
Model Specified _____	Quantity _____
Variations Specified _____	
Customer/Wholesaler _____	
Contractor _____	
Architect _____	

T&S Brass and Bronze Works, Inc. • 2 Saddleback Cove, P.O. Box 1088 • Travelers Rest, SC 29690
Ph 864-834-4102 • Fax 864-834-3518 • Web www.tsbrass.com

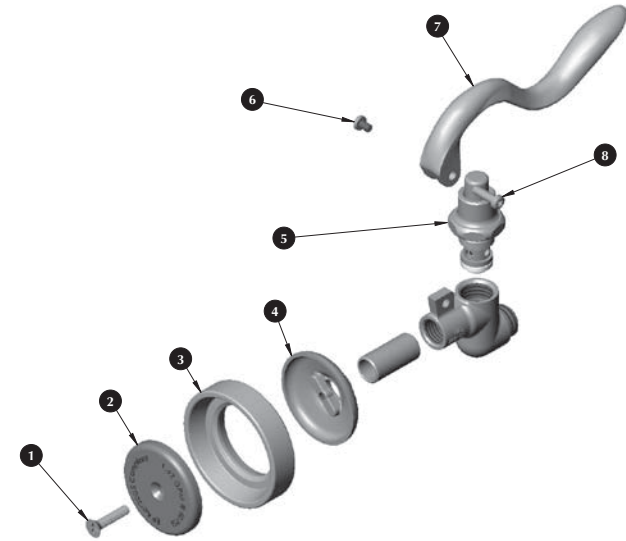
B-0107, B-0107-C and B-0107-C35 Spray Valves S.S. – Rev. 1 (8/08)
Copyright © 2008 T&S Brass and Bronze Works, Inc. Printed in the USA

The information contained in this document is subject to change without notice.

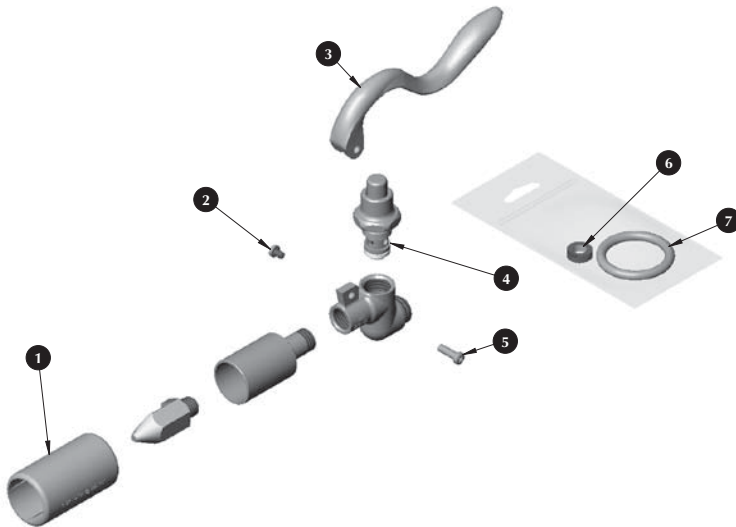


RELIABILITY BUILT IN

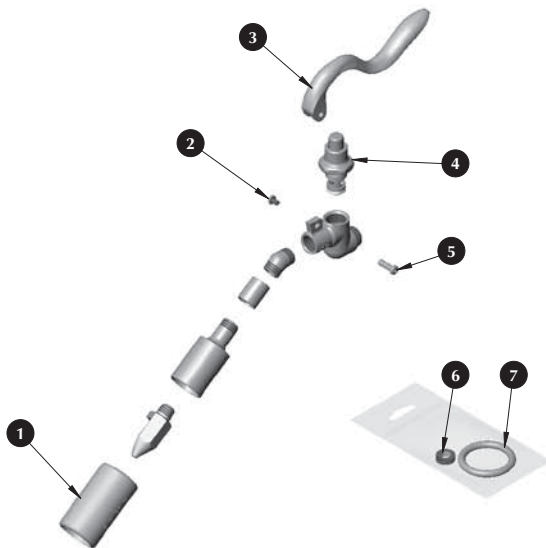
B-0107, B-0107-C and B-0107-C35 Pre-Rinse Spray Valves



No.	Part Number	Description
1	000913-45	Spray Face Screw
2	009845-45	Spray Face
3	007861-45	Rubber Sprayhead Ring
4	000019-40	Spray Cup
5	002856-40	Bonnet Assembly
6	003199-45	Handle Screw
7	001120-45	Spray Valve Handle
8	003198-45	Handle Nut



No.	Part Number	Description
1	002659-45	Low Flow Shield
2	003199-45	Handle Screw
3	001120-45	Spray Valve Handle
4	002856-40	Bonnet Assembly
5	003198-45	Handle Nut
6	010476-45	Washer
7	000907-45	Hold Down Ring



No.	Part Number	Description
1	002659-45	Low Flow Shield
2	003199-45	Handle Screw
3	001120-45	Spray Valve Handle
4	002856-40	Bonnet Assembly
5	003198-45	Handle Nut
6	010476-45	Washer
7	000907-45	Hold Down Ring

T&S Brass and Bronze Works, Inc. • 2 Saddleback Cove, P.O. Box 1088 • Travelers Rest, SC 29690
Ph 864-834-4102 • Fax 864-834-3518 • Web www.tsbrass.com

B-0107, B-0107-C and B-0107-C35 Spray Valves S.S. — Rev. 1 (8/08)
Copyright © 2008 T&S Brass and Bronze Works, Inc. Printed in the USA



RELIABILITY BUILT IN

B-0108 and B-0108-C JeTSpray Pre-Rinse Spray Valves

Description

Pre-Rinse Spray Valves

Model

- B-0108** JeTSpray Pre-Rinse Spray Valve
- B-0108-C** JeTSpray Low Flow Spray Valve

Flow Rate

- B-0108** 1.48 gpm @ 60 psi
- B-0108-C** 1.2 gpm @ 60 psi

Specifications

Chrome Plated Brass Spray Valve, Stainless Steel Trigger, Heat Insulated Rubber Grip with Touch Points and the following features:

- Innovative ergonomic design reduces hand fatigue
- Designed for heavy use in commercial kitchens
- Connects directly to most T&S flexible stainless steel hose or handle assemblies
- Automatic shut-off
- Smart one-handed trigger lock for constant water flow if needed
- Fast action stainless steel trigger
- Insulated touch points on one-piece rubber grip
- Removable screen filter
- Forged brass body
- Impact and crush resistant grip
- Improved maneuverability
- Vandal resistant valve cap
- Tested to 2 million cycles plus
- Fastest rinsing power in its class
- EPAAct 2005 compliant
- Water-conserving design for both models



Features

- Chrome plated brass construction
- Smart one-handed trigger lock
- Valve has automatic shut-off
- B-0108 and B-0108-C models conserve water and save energy

Compliant to:

- ASME A112.18.1M
- NSF 61, Sec. 9
- CSA B125
- ADA
- EPAAct 2005

Warranty

1 year (limited)

Made in the USA



This space for Architect/Engineer Approval	
Job Name _____	Date _____
Model Specified _____	Quantity _____
Variations Specified _____	
Customer/Wholesaler _____	
Contractor _____	
Architect _____	

T&S Brass and Bronze Works, Inc. • 2 Saddleback Cove, P.O. Box 1088 • Travelers Rest, SC 29690
Ph 864-834-4102 • Fax 864-834-3518 • Web www.tsbrass.com

B-0108, B-0108-C and B-0108-H Spray Valves S.S. — Rev. 0 (12/08)
Copyright © 2008 T&S Brass and Bronze Works, Inc. Printed in the USA

The information contained in this document is subject to change without notice.

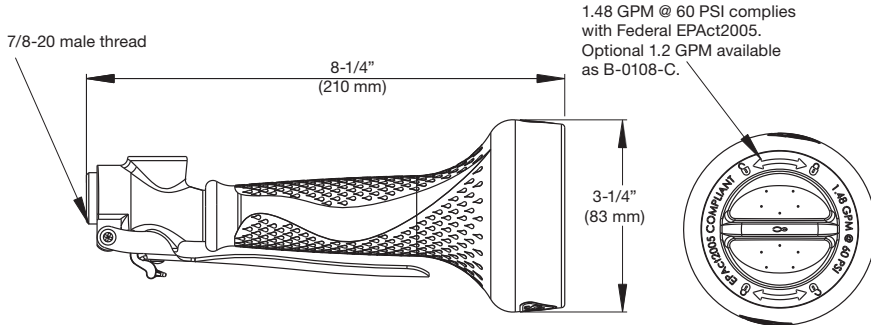


RELIABILITY BUILT IN

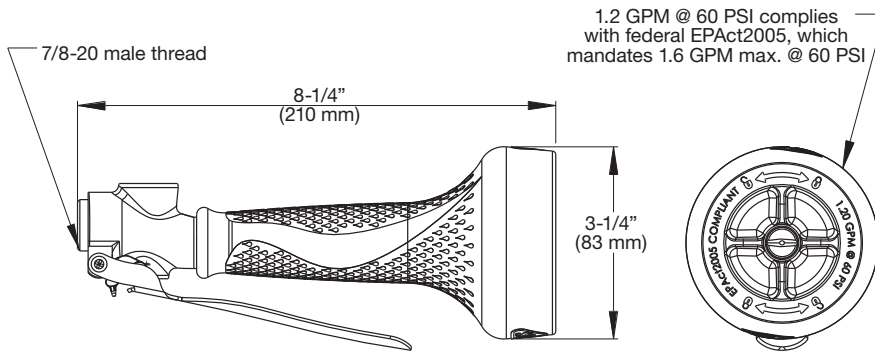
B-0108, B-0108-C JeTSpray Pre-Rinse Spray Valves

Dimensions

B-0108



B-0108-C



Repair Kits

- 108V-RK** B-0108 JeTSpray Valve Repair Kit
Includes: Spanner bit, end plug assembly, silicon grease, valve assembly and compression spring (individual items not sold separately)
- 108T-RK** B-0108 JeTSpray Trigger Repair Kit
Includes: two trigger screws, silicon grease, spring trigger catch sub-assembly, stainless steel trigger, two bushings and pivot pin assembly (individual items not sold separately)
- 108SF-RK** B-0108 JeTSpray Spray Face Repair Kit
Includes: Washer and B-0108 spray face (individual items not sold separately)
- 108S-RK** B-0108 JeTSpray Screen and Washer Repair Kit
Includes: Inlet filer and tube of loctite (individual items not sold separately)

T&S Brass and Bronze Works, Inc. • 2 Saddleback Cove, P.O. Box 1088 • Travelers Rest, SC 29690
Ph 864-834-4102 • Fax 864-834-3518 • Web www.tsbrass.com

B-0108, B-0108-C and B-0108-H Spray Valves S.S. — Rev. 0 (12/08)
Copyright © 2008 T&S Brass and Bronze Works, Inc. Printed in the USA



RELIABILITY BUILT IN

B-0113 and B-0113-B Pre-Rinse Units

Description

Deck mounted single hole base pre-rinse units with "pop and lock" riser installation feature

Model

- B-0113** Easy Install "Pop and Lock" Pre-Rinse Unit
- B-0113-B** Easy Install "Pop and Lock" Pre-Rinse Unit with Wall Bracket

Flow Rate

- 1.42 GPM at 60 PSI

Specifications

Chrome Plated Brass Faucet Body, Deck Mounted Pre-rinse Units with the following features:

- Single hole base faucet with 4" spreader unit
- Spring action gooseneck
- 45" high • 14" overhang • 19-3/8" clearance
- 24" riser (000372-40) • Finger hook for spray valve
- B-0107 spray valve • B-0044-H flexible stainless steel hose
- Internal spring checks to prevent cross flow
- 1/2" NPT male inlets/compression fittings for 5/8" O.D. tubing (convertible)

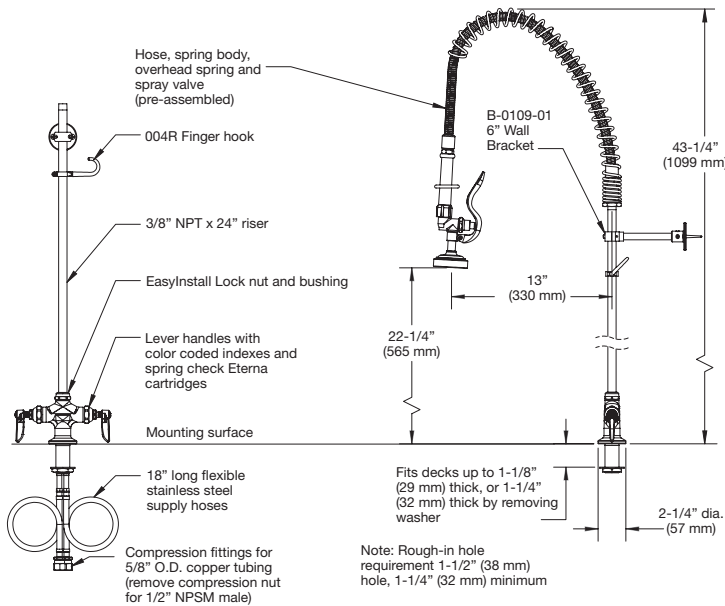
B-0113-B includes a B-0109-01 wall bracket

Notes:

Alternate handles available – see pages 93-94

Pre-Rinse Dimensions

B-0113-B



B-0113-B

Easy Install

Features

- Pre-assembled hose, spring body, overhead spring and spray valve
- "Pop and lock" riser installation
- Deck mounted faucet
- Forged brass construction • Chrome plated finish

Compliant to:

- ASME A112.18.1M
- CSA B125
- EPA Act 2005
- NSF 61, Sec. 9
- ADA

Warranty

1 year (limited)

Made in the USA



This space for Architect/Engineer Approval

Job Name _____	Date _____
Model Specified _____	Quantity _____
Variations Specified _____	
Customer/Wholesaler _____	
Contractor _____	
Architect _____	

The information contained in this document is subject to change without notice.

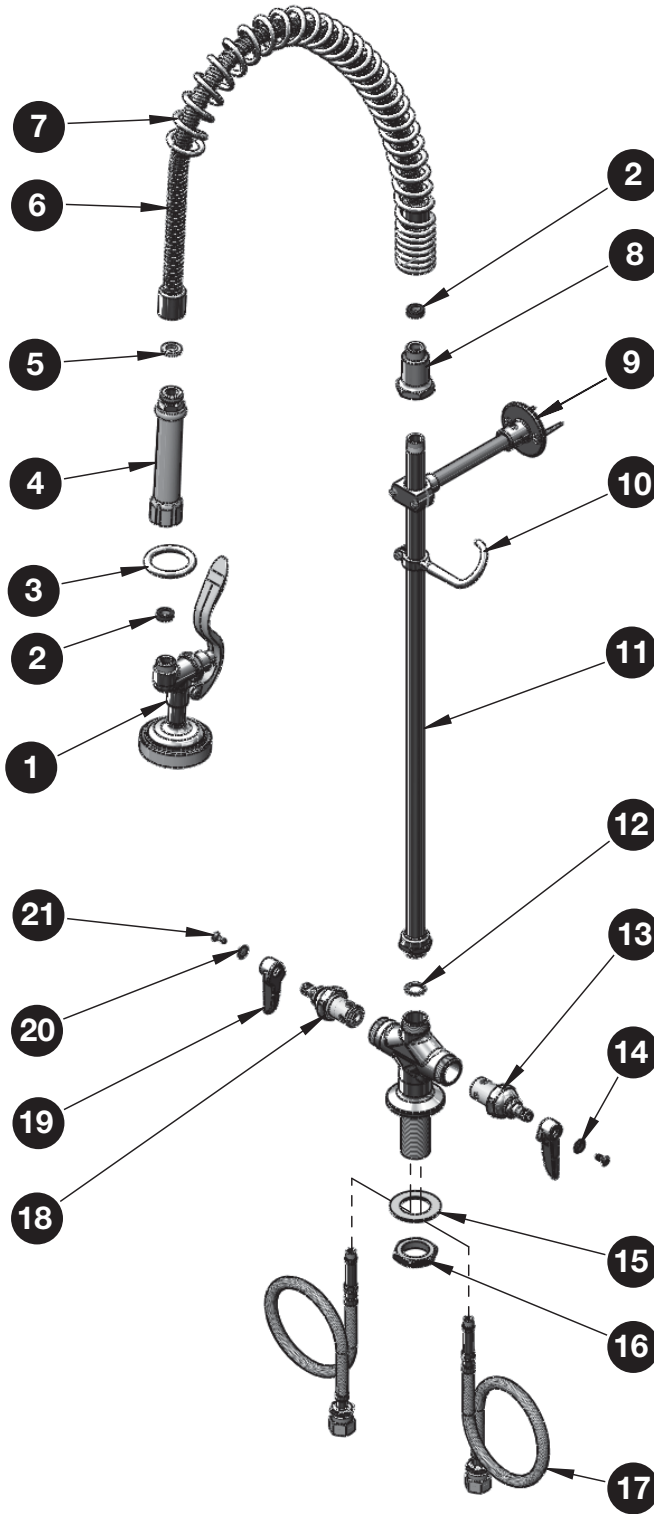
T&S Brass and Bronze Works, Inc. • 2 Saddleback Cove, P.O. Box 1088 • Travelers Rest, SC 29690
Ph 864-834-4102 • Fax 864-834-3518 • Web www.tsbrass.com

B-0113 and B-0113-B Pre-Rinse Units S.S.—Rev. 1 (5/08)
Copyright © 2008 T&S Brass and Bronze Works, Inc. Printed in the USA



RELIABILITY BUILT IN

B-0113 and B-0113-B Pre-Rinse Units



No.	Part Number	Description
1	B-0107	Spray Valve Assembly
2	010476-45	#27 Washer
3	000907-45	Hold Down Ring
4	002987-40	Grip Handle Assembly
5	010475-45	B-0100 Hose Barrel Washer
6	B-0044-H2A	44" Flex Hose Asm., less handle
7	000888-45	EasyInstall Overhead Spring
8	000821-40	Spring Body
9	B-0109-01	6" Wall Bracket Asm.
10	004R	Finger Hook Asm.
11	00372-40	3/8" NPT x 24" long Riser
12	014200-45	Star Washer, Anti-rotation
13	002711-40	Spindle Asm., Eterna, SC, Cold
14	001660-45	Blue Index - CW
15	007365-45	Lock Washer
16	000965-45	Lock Nut
17	012534-45	Flexible Connector Hose
18	002712-40	Spindle Asm., Eterna, SC, Hot
19	001638-45	Lever Handle
20	001661-45	Red Index - HW
21	000922-45	Lever Handle Screw

T&S Brass and Bronze Works, Inc. • 2 Saddleback Cove, P.O. Box 1088 • Travelers Rest, SC 29690
Ph 864-834-4102 • Fax 864-834-3518 • Web www.tsbrass.com

B-0113 and B-0113-B Pre-Rinse Units S.S.— Rev. 1 (5/08)
Copyright © 2008 T&S Brass and Bronze Works, Inc. Printed in the USA



RELIABILITY BUILT IN

B-0113-A10-B08 Pre-Rinse Unit

Description

Deck mounted single hole base pre-rinse units with "pop and lock" riser installation feature

Model

- **B-0113-A10-B08** Easy Install "Pop and Lock" Pre-Rinse Unit with Wall Bracket, Add-On Faucet and B-0108 Spray Valve

Flow Rate

- 1.48 GPM at 60 PSI

Specifications

Chrome Plated Brass Faucet Body, Deck Mounted Pre-rinse Units with the following features:

- Single hole base faucet with 4" spreader unit
- Spring action gooseneck • B-0109-01 6" wall bracket
- 45" high • 14" overhang • 19-3/8" clearance
- 24" riser (000372-40) • Finger hook for spray valve
- B-0108 spray valve • B-0044-H flexible stainless steel hose
- 10" Add-on faucet
- Internal spring checks to prevent cross flow
- 1/2" NPT male inlets/compression fittings for 5/8" O.D. tubing (convertible)

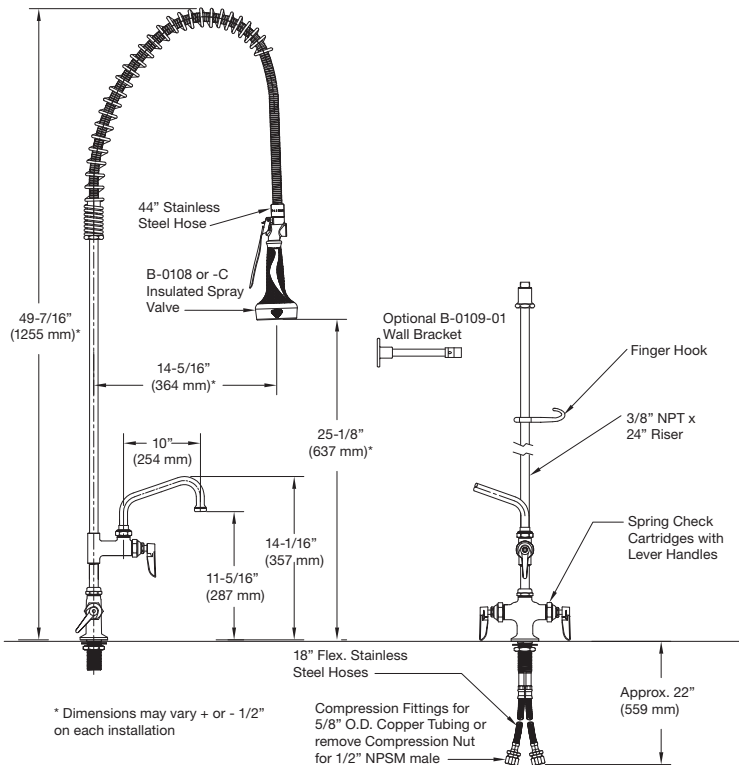
B-0113-A10-08 with no wall bracket

Notes:

Alternate handles available — see pages 93-94

Pre-Rinse Dimensions

B-0113-A10-B08



Easy Install

Features

- Pre-assembled hose, spring body, overhead spring and spray valve
- "Pop and lock" riser installation
- Deck mounted faucet
- Forged brass construction • Chrome plated finish

Compliant to:

- ASME A112.18.1M
- CSA B125
- EPA Act 2005
- NSF 61, Sec. 9
- ADA

Warranty

1 year (limited)

Made in the USA

This space for Architect/Engineer Approval	
Job Name _____	Date _____
Model Specified _____	Quantity _____
Variations Specified _____	
Customer/Wholesaler _____	
Contractor _____	
Architect _____	

The information contained in this document is subject to change without notice.

T&S Brass and Bronze Works, Inc. • 2 Saddleback Cove, P.O. Box 1088 • Travelers Rest, SC 29690
Ph 864-834-4102 • Fax 864-834-3518 • www.tsbrass.com

B-0113-A10-B08 Pre-Rinse Unit S.S. — Rev.1 (7/08)

Copyright © 2008 T&S Brass and Bronze Works, Inc. Printed in the USA



RELIABILITY BUILT IN

B-0133-A10-B08 Pre-Rinse Unit

Description

Wall mounted pre-rinse unit with "pop and lock" riser installation feature

Models

- **B-0133-A10-B08** Easy Install "Pop and Lock" Pre-Rinse Unit with Wall Bracket, Add-On Faucet and B-0108 Spray Valve

Flow Rate

- 1.48 GPM at 60 PSI

Specifications

Chrome Plated Brass Faucet Body, Wall Mounted Pre-rinse Units with the following features:

- 8" center wall mounted faucet
- Spring action gooseneck
- 35-1/2" high
- 18" riser (000369-40)
- 10" Add-on faucet
- 1/2" NPT female eccentric flanged inlets
- B-0044-H flexible stainless steel hose
- Internal spring checks to prevent cross flow
- B-0108 spray valve
- 1/2" NPT male inlets
- 15" overhang
- Finger hook for spray valve

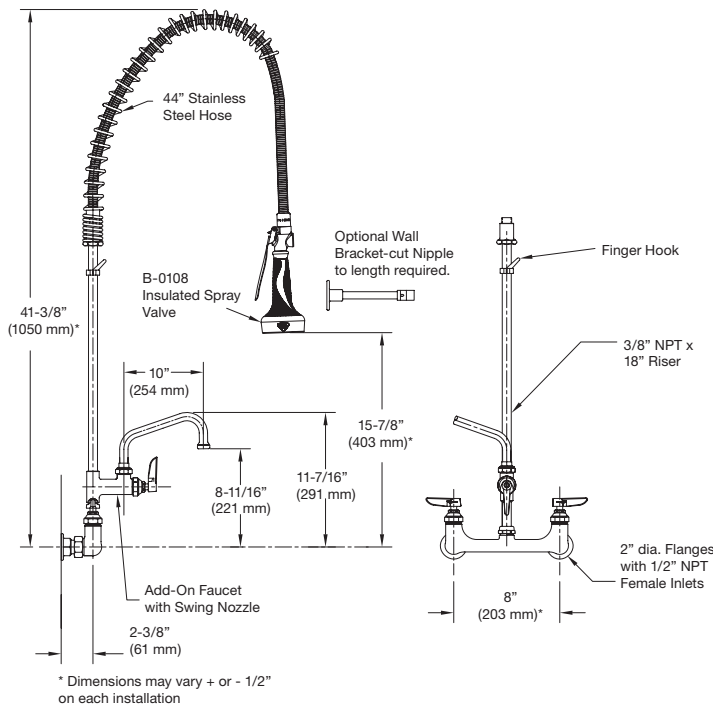
B-0133-A10-08 without wall bracket

Notes

Installation kit sold separately – B-0230-K
Alternate handles available – see pages 93-94

Pre-Rinse Dimensions

B-0133-A10-B08



Easy Install

Features

- Pre-assembled hose, spring body, overhead spring and spray valve
- "Pop and lock" riser installation feature
- Wall mounted faucet
- Forged brass construction
- Add-on faucet
- Chrome plated finish

Compliant to:

- ASME A112.18.1M
- CSA B125
- EPA Act 2005
- NSF 61, Sec. 9
- ADA

Warranty

1 year (limited)



This space for Architect/Engineer Approval

Job Name _____	Date _____
Model Specified _____	Quantity _____
Variations Specified _____	
Customer/Wholesaler _____	
Contractor _____	
Architect _____	

The information contained in this document is subject to change without notice.

T&S Brass and Bronze Works, Inc. • 2 Saddleback Cove, P.O. Box 1088 • Travelers Rest, SC 29690
Ph 864-834-4102 • Fax 864-834-3518 • www.tsbrass.com

B-0133-A10-B08 Pre-Rinse Units S.S. – Rev. 0 (5/08)
Copyright © 2008 T&S Brass and Bronze Works, Inc. Printed in the USA



RELIABILITY BUILT IN

B-0123 and B-0123-B Pre-Rinse Units

Description

Deck mounted pre-rinse units with "pop and lock" riser installation feature

Model

- B-0123** Easy Install "Pop and Lock" Pre-Rinse Unit
- B-0123-B** Easy Install "Pop and Lock" Pre-Rinse Unit with Wall Bracket

Flow Rate

- 1.42 GPM at 60 PSI

Specifications

Chrome Plated Brass Faucet Body, Deck Mounted Pre-rinse Units with the following features:

- 8" center deck faucet
- Spring action gooseneck
- 45" high
- 24" riser (000372-40)
- 1/2" NPT female eccentric flanged inlets
- B-0107 spray valve
- B-0044-H flexible stainless steel hose
- Internal spring checks to prevent cross flow
- 1/2" NPT male inlets
- 14" overhang
- 17-3/8" clearance
- Finger hook for spray valve

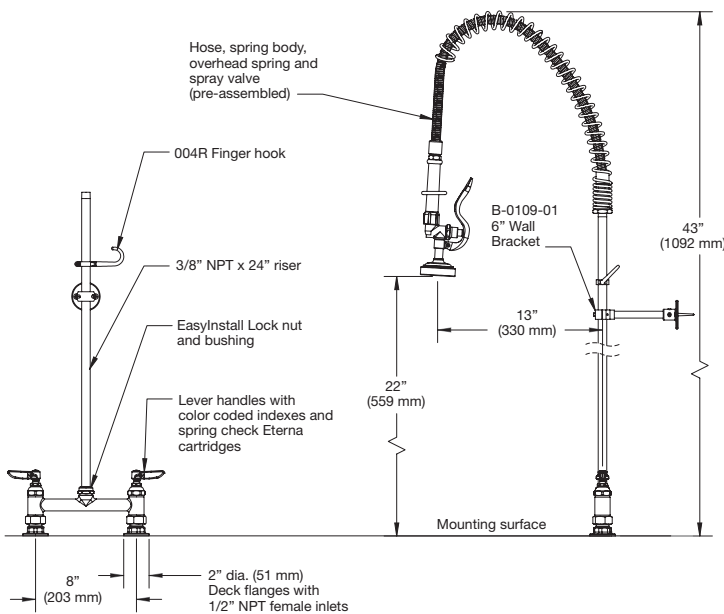
B-0123-B includes a B-0109-01 wall bracket

Notes

Supply nipples are sold separately (B-0425)
Alternate handles available – see pages 93-94

Pre-Rinse Dimensions

B-0123-B



B-0123-B

Easy Install

Features

- Pre-assembled hose, spring body, overhead spring and spray valve
- "Pop and lock" riser installation feature
- Deck mounted faucet
- Forged brass construction
- Chrome plated finish

Compliant to:

- ASME A112.18.1M
- CSA B125
- NSF 61, Sec. 9
- EPA Act 2005

Warranty

1 year (limited)

Made in the USA



This space for Architect/Engineer Approval

Job Name _____ Date _____

Model Specified _____ Quantity _____

Variations Specified _____

Customer/Wholesaler _____

Contractor _____

Architect _____

T&S Brass and Bronze Works, Inc. • 2 Saddleback Cove, P.O. Box 1088 • Travelers Rest, SC 29690
Ph 864-834-4102 • Fax 864-834-3518 • Web www.tsbrass.com

B-0123 and B-0123-B Pre-Rinse Units S.S.— Rev. 1 (5/08)

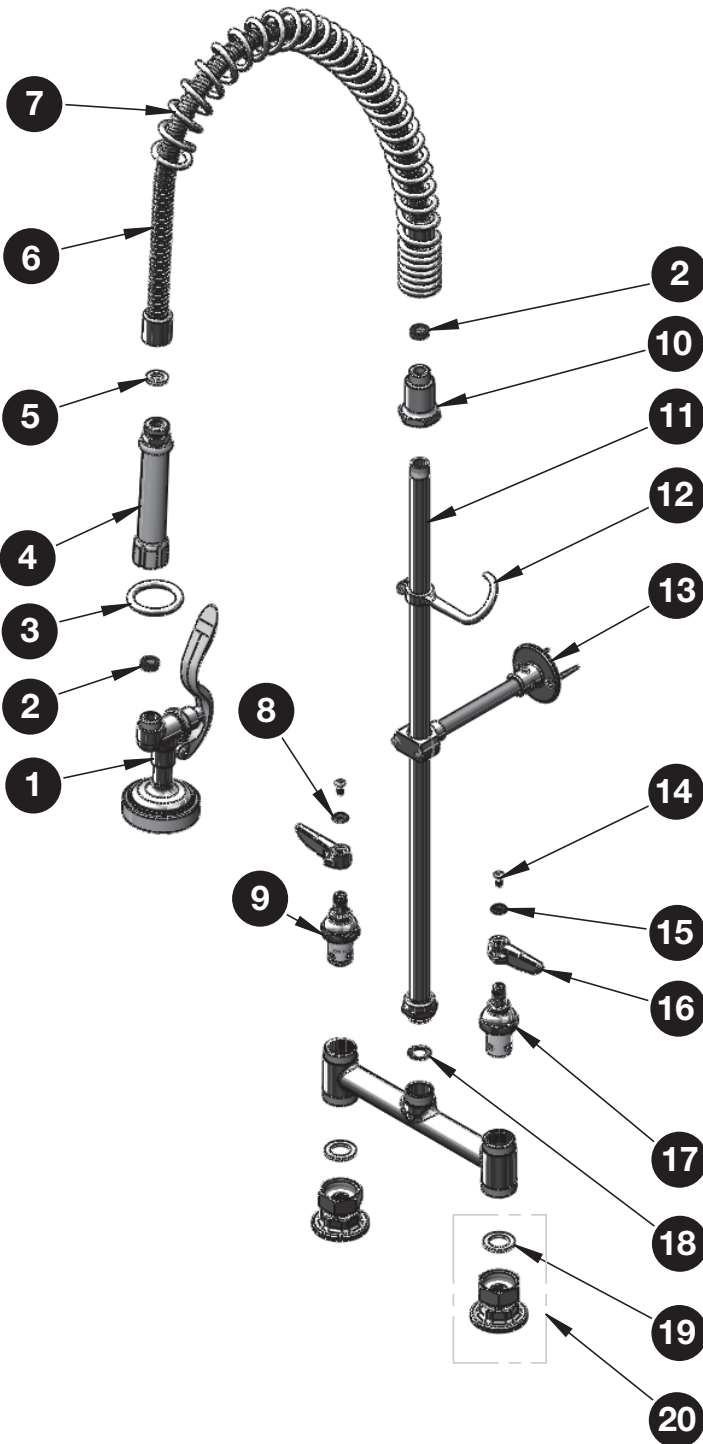
Copyright © 2008 T&S Brass and Bronze Works, Inc. Printed in the USA

The information contained in this document is subject to change without notice.



RELIABILITY BUILT IN

B-0123 and B-0123-B Pre-Rinse Units



No.	Part Number	Description
1	B-0107	Spray Valve Assembly
2	010476-45	#27 Washer
3	000907-45	Hold Down Ring
4	002987-40	Grip Handle Assembly
5	010475-45	B-0100 Hose Barrel Washer
6	B-0044-H2A	44" Flex Hose Asm., less handle
7	000888-45	EasyInstall Overhead Spring
8	001661-45	Red Index - HW
9	002712-40	Spindle Asm., Eterna, SC, Hot
10	000821-40	Spring Body
11	00372-40	3/8" NPT x 24" long Riser
12	004R	Finger Hook Asm.
13	B-0109-01	6" Wall Bracket Asm.
14	000922-45	Lever Handle Screw
15	001660-45	Blue Index - CW
16	001638-45	Lever Handle
17	002711-40	Spindle Asm., Eterna, SC, Cold
18	014200-45	Star Washer, Anti-rotation
19	001019-45	Coupling Nut Washer
20	00AA	Flange Asm., 00AA

T&S Brass and Bronze Works, Inc. • 2 Saddleback Cove, P.O. Box 1088 • Travelers Rest, SC 29690
Ph 864-834-4102 • Fax 864-834-3518 • Web www.tsbrass.com

B-0123 and B-0123-B Pre-Rinse Units S.S.— Rev. 1 (5/08)
Copyright © 2008 T&S Brass and Bronze Works, Inc. Printed in the USA



RELIABILITY BUILT IN

B-0131 and B-0131-B Pre-Rinse Units

Description

Wall mounted pre-rinse unit with overhead swivel arm

Models

- B-0131** Wall Mounted Pre-Rinse Unit
- B-0131-B** Wall Mounted Pre-Rinse Unit with Wall Bracket

Flow Rate

- 1.42 GPM at 60 PSI

Specifications

Chrome Plated Wall Mounted Pre-Rinse Unit with the following features:

- 8" center wall mounted faucet
- 1/2" NPT female eccentric flanged inlets
- 12" swivel arm
- 30" high
- 26" riser
- B-0107 spray valve
- Finger hook for spray valve
- B-0020-H flexible stainless steel hose
- Internal spring checks to prevent cross flow

B-0131-B includes a B-0109-01 6" (152 mm) wall bracket



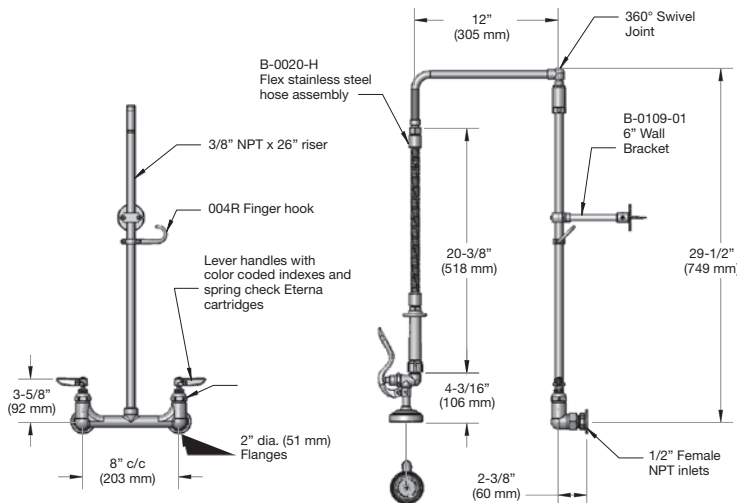
B-0131

Notes

- Installation kit sold separately – B-0230-K
- Alternate handles available – see pages 93-94

Pre-Rinse Dimensions

B-0131-B



Features

- Chrome plated brass construction
- Overhead swivel arm
- Flexible stainless steel hose
- B-0107 spray valve
- Finger hook for spray valve

Compliant to:

- ASME A112.18.1M
- CSA B125
- EPA Act 2005
- NSF 61, Sec. 9
- ADA

Warranty

1 year (limited)

Made in the USA



This space for Architect/Engineer Approval

Job Name _____	Date _____
Model Specified _____	Quantity _____
Variations Specified _____	
Customer/Wholesaler _____	
Contractor _____	
Architect _____	

The information contained in this document is subject to change without notice.

T&S Brass and Bronze Works, Inc. • 2 Saddleback Cove, P.O. Box 1088 • Travelers Rest, SC 29690
Ph 864-834-4102 • Fax 864-834-3518 • www.tsbrass.com

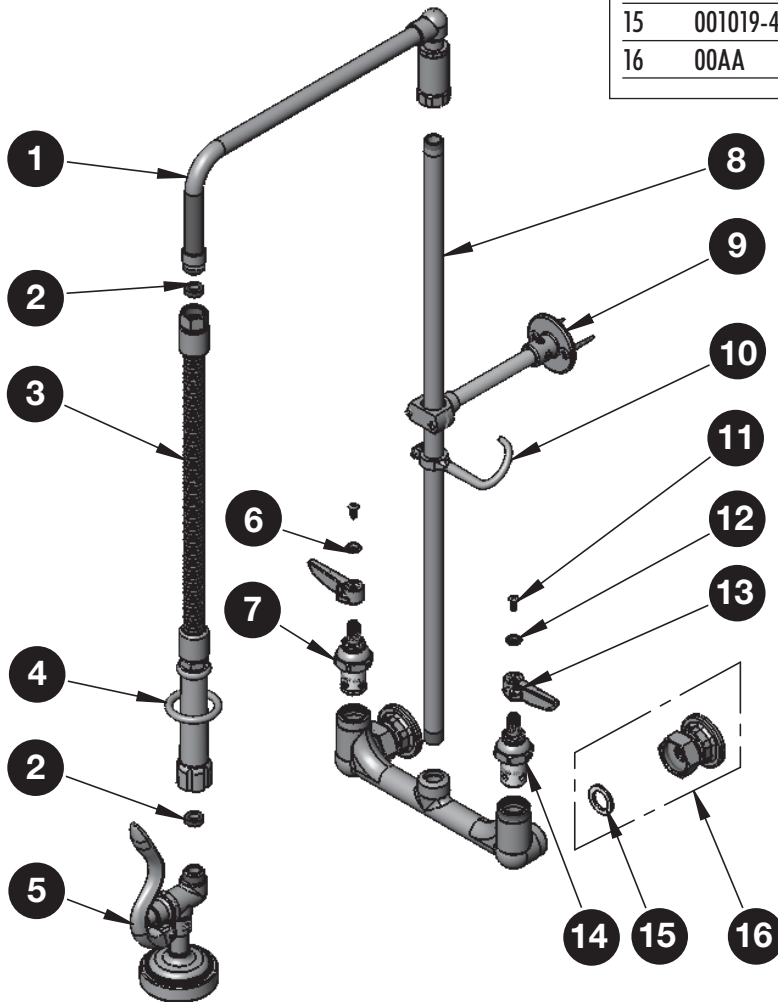
B-0131 and B-0131-B Pre-Rinse Units S.S. – Rev. 1 (5/08)
Copyright © 2008 T&S Brass and Bronze Works, Inc. Printed in the USA



RELIABILITY BUILT IN

B-0131 and B-0131-B Pre-Rinse Units

No.	Part Number	Description
1	002882-40	L-Tube Assembly, 12"
2	010476-45	#27 Washer
3	B-0020-H	Flexible Stainless Steel Hose, 20"
4	000907-45	Spray Valve Hold Down Ring
5	B-0107	Spray Valve Assembly
6	001661-45	Red Index - HW
7	002712-40	Spindle Asm., Eterna, SC, Hot
8	000373-40	3/8" NPT x 26" long Riser
9	B-0109-01	6" Wall Bracket Asm.
10	004R	Finger Hook Asm.
11	000922-45	Lever Handle Screw
12	001660-45	Blue Index - CW
13	001638-45	Lever Handle
14	002711-40	Spindle Asm., Eterna, SC, Cold
15	001019-45	Coupling Nut Washer
16	00AA	Flange Asm., 00AA



T&S Brass and Bronze Works, Inc. • 2 Saddleback Cove, P.O. Box 1088 • Travelers Rest, SC 29690
Ph 864-834-4102 • Fax 864-834-3518 • www.tsbrass.com

B-0131 and B-0131-B Pre-Rinse Units S.S. — Rev. 1 (5/08)
Copyright © 2008 T&S Brass and Bronze Works, Inc. Printed in the USA



RELIABILITY BUILT IN

B-0133 and B-0133-B Pre-Rinse Units

Description

Wall mounted pre-rinse units with "pop and lock" riser installation feature

Models

- B-0133** Easy Install "Pop and Lock" Pre-Rinse Unit
- B-0133-B** Easy Install "Pop and Lock" Pre-Rinse Unit with Wall Bracket

Flow Rate

- 1.42 GPM at 60 PSI

Specifications

Chrome Plated Brass Faucet Body, Wall Mounted Pre-rinse Units with the following features:

- 8" center wall mounted faucet
- Spring action gooseneck
- 35-1/2" high
- 18" riser (000369-40)
- 1/2" NPT female eccentric flanged inlets
- B-0044-H flexible stainless steel hose
- Internal spring checks to prevent cross flow
- B-0107 spray valve
- 1/2" NPT male inlets
- 15" overhang
- Finger hook for spray valve

B-0133-B includes a B-0109-01 6" (152 mm) wall bracket

Variations

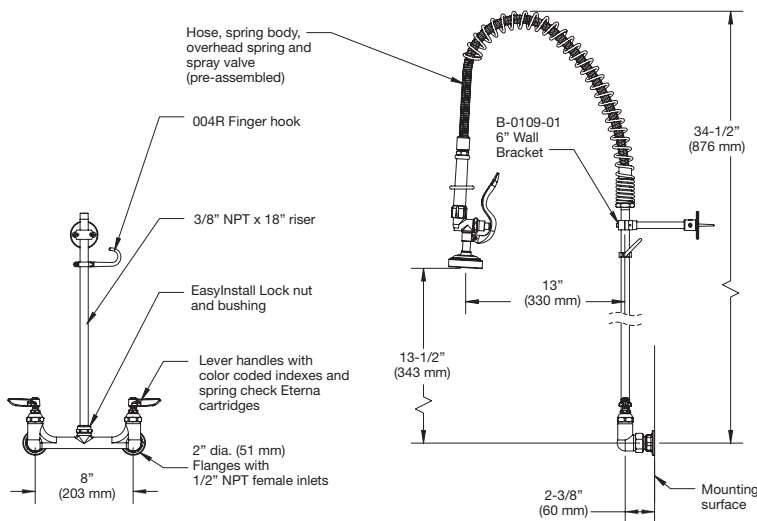
- B-0133-01** Same as B-0131 and includes add-on faucet with 14" nozzle (B-0158) and B-0056-H hose

Notes

Installation kit sold separately – B-0230-K
Alternate handles available – see pages 93-94

Pre-Rinse Dimensions

B-0133-B



B-0133-B

Easy Install

Features

- Pre-assembled hose, spring body, overhead spring and spray valve
- "Pop and lock" riser installation feature
- Wall mounted faucet
- Forged brass construction • Chrome plated finish

Compliant to:

- ASME A112.18.1M
- CSA B125
- EPA Act 2005
- NSF 61, Sec. 9
- ADA

Warranty

1 year (limited)



This space for Architect/Engineer Approval

Job Name _____	Date _____
Model Specified _____	Quantity _____
Variations Specified _____	
Customer/Wholesaler _____	
Contractor _____	
Architect _____	

The information contained in this document is subject to change without notice.

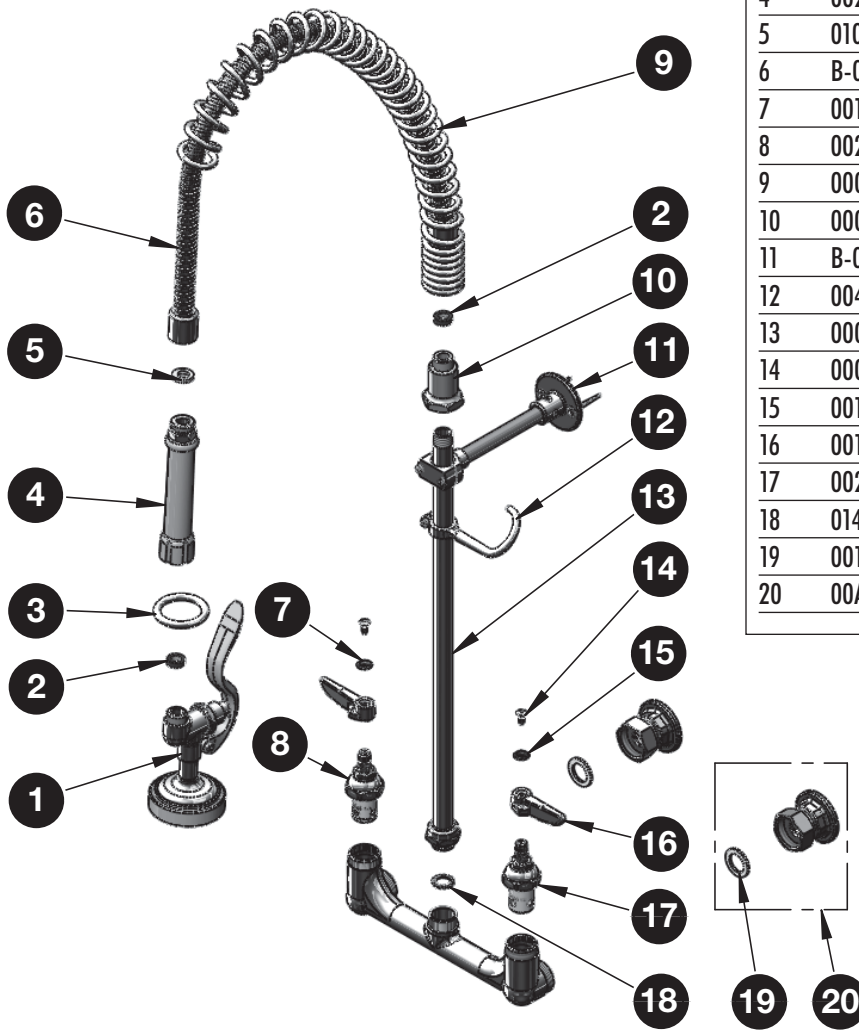
T&S Brass and Bronze Works, Inc. • 2 Saddleback Cove, P.O. Box 1088 • Travelers Rest, SC 29690
Ph 864-834-4102 • Fax 864-834-3518 • Web www.tsbrass.com

B-0133 and B-0133-B Pre-Rinse Units S.S. — Rev. 1 (5/08)
Copyright © 2008 T&S Brass and Bronze Works, Inc. Printed in the USA



RELIABILITY BUILT IN

B-0133 and B-0133-B Pre-Rinse Units



No.	Part Number	Description
1	B-0107	Spray Valve Assembly
2	010476-45	#27 Washer
3	000907-45	Spray Valve Hold Down Ring
4	002987-40	Grip Handle Asm.
5	010475-45	B-0100 Hose Barrel Washer
6	B-0044-H2A	44" Flex Hose Asm. less Handle
7	001661-45	Red Index - HW
8	002712-40	Spindle Asm., Eterna, SC, Hot
9	000888-45	EasyInstall Overhead Spring
10	000821-40	Spring Body
11	B-0109-01	6" Wall Bracket Asm.
12	004R	Finger Hook Asm.
13	000369-40	3/8" NPT x 18" long Washer
14	000922-45	Lever Handle Screw
15	001660-45	Blue Index - CW
16	001638-45	Lever Handle
17	002711-40	Spindle Asm., Eterna, SC, Cold
18	014200-45	Anti-Rotation Star Washer
19	001019-45	Coupling Nut Washer
20	00AA	Flange Asm., 00AA

T&S Brass and Bronze Works, Inc. • 2 Saddleback Cove, P.O. Box 1088 • Travelers Rest, SC 29690
Ph 864-834-4102 • Fax 864-834-3518 • Web www.tsbrass.com

B-0133 and B-0133-B Pre-Rinse Units S.S. — Rev. 1 (5/08)
Copyright © 2008 T&S Brass and Bronze Works, Inc. Printed in the USA



RELIABILITY BUILT IN

B-0175 Faucet and Spray Valve Assembly

Description

Wall mounted mixing faucet with swing nozzle and angle spray valve assembly

Model

□ B-0175 Faucet With Swing Nozzle and Spray Unit

Flow Rate

□ Faucet unrestricted; spray valve 1.42 GPM at 60 PSI

Specifications

Chrome Plated Brass Faucet Body, Wall Mounted, With Swing Nozzle and Spray Valve Assembly with the following features:

- 8" center wall mounted mixing faucet
- Add-on faucet with 12" swing nozzle
- B-0104-H flexible stainless steel hose
- B-0107-035 angle spray valve with automatic shut-off and hold-down ring
- 1/2" NPT female eccentric flanged inlets
- B-0166 hanger hook holds hose when not in use
- 108" overall length of hose and spray unit
- Internal spring checks to prevent cross flow

Notes:

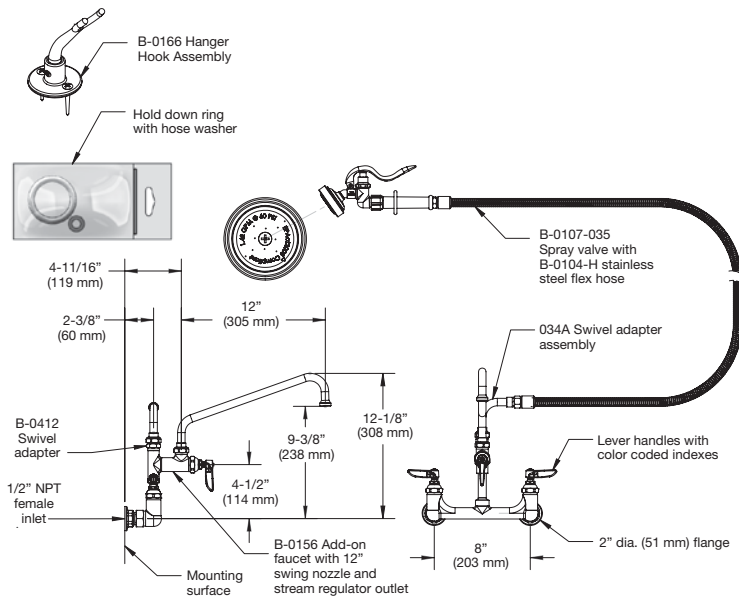
Order a B-0970-01 when a vacuum breaker is needed

Order a B-0230-K Installation Kit when needed

Ceramic cartridges available as modification — add "-CD" to model number

Alternate aerators available upon request — see page 94 for options

Dimensions



Features

- Wall mounted mixing faucet
- Add-on faucet with swing nozzle
- Forged brass construction
- Chrome plated finish
- Flexible stainless steel hose
- Angle spray valve with automatic shut-off

Compliant to:

- ASME A112.18.1M
- NSF 61, Sec. 9
- CSA B125
- ADA

Warranty

1 year (limited)



This space for Architect/Engineer Approval

Job Name _____ Date _____

Model Specified _____ Quantity _____

Variations Specified _____

Customer/Wholesaler _____

Contractor _____

Architect _____

T&S Brass and Bronze Works, Inc. • 2 Saddleback Cove, P.O. Box 1088 • Travelers Rest, SC 29690
Ph 864-834-4102 • Fax 864-834-3518 • Web www.tsbrass.com

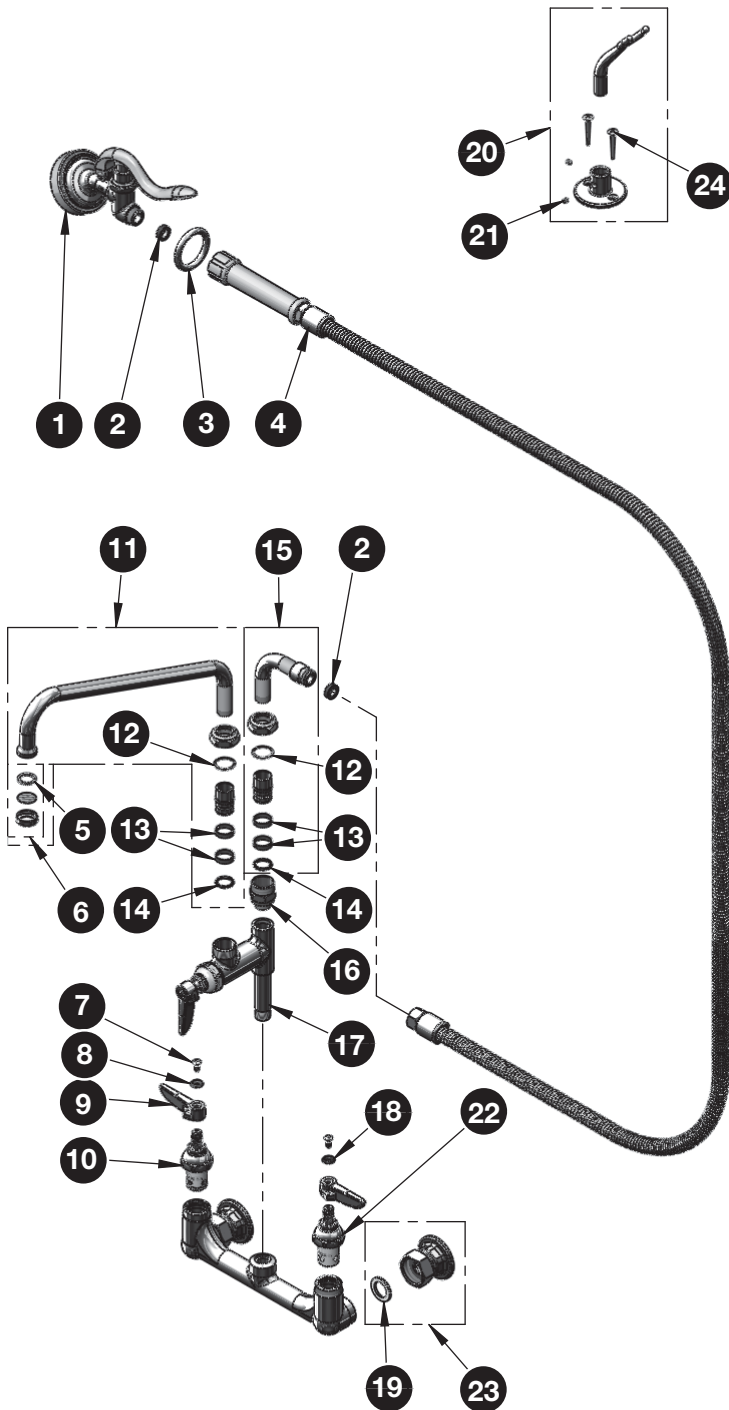
B-0175 Faucet with Swing Nozzle and Spray Unit S.S. — Rev. 1 (5/08)
Copyright © 2008 T&S Brass and Bronze Works, Inc. Printed in the USA

The information contained in this document is subject to change without notice.



RELIABILITY BUILT IN

B-0175 Faucet and Spray Valve Assembly



No.	Part Number	Description
1	B-0107-035	B-0107-035 Spray Valve Asm.
2	010476-45	#27 Washer
3	000907-45	Spray Valve Hold Down Ring
4	B-0104-H	104" Flex Hose Asm.
5	009638-45	Washer
6	B-PT	Index Ring Asm.
7	000922-45	Lever Handle Screw
8	001661-45	Red Index - HW
9	001638-45	Lever Handle
10	002712-40	Spindle Asm., Eterna, SC, Hot
11	062X	12" Swing Nozzle Asm.
12	009538-45	Swivel Washer
13	011429-45	Swivel Sleeves (2)
14	001074-45	O-Ring
15	034A	Swivel Adapter Asm.
16	B-0412	Rigid To Swivel Adapter
17	B-0156	Add-On Faucet w/ 12" Nozzle
18	001660-45	Blue Index - CW
19	001019-45	Coupling Nut Washer
20	B-0166	Hanger Hook Asm.
21	001584-45	Set Screw, B-0119 Rod End
22	002711-40	Spindle Asm., Eterna, SC, Cold
23	00AA	Flange Asm., 00AA
24	000915-45	Mounting Screw

T&S Brass and Bronze Works, Inc. • 2 Saddleback Cove, P.O. Box 1088 • Travelers Rest, SC 29690
Ph 864-834-4102 • Fax 864-834-3518 • Web www.tsbrass.com

B-0175 Faucet with Swing Nozzle and Spray Unit S.S. — Rev. 1 (5/08)
Copyright © 2008 T&S Brass and Bronze Works, Inc. Printed in the USA



RELIABILITY BUILT IN

B-0200 Swivel Pantry Faucet

Description

Single hole deck mounted faucet with swing nozzle and lever handles

Model

- B-0200** Deck Mounted Single Hole Faucet with Swing Nozzle and lever handles

Flow Rate

- Unrestricted

Specifications

Chrome Plated Forged Brass Body, Deck-mounted Faucet with the following features:

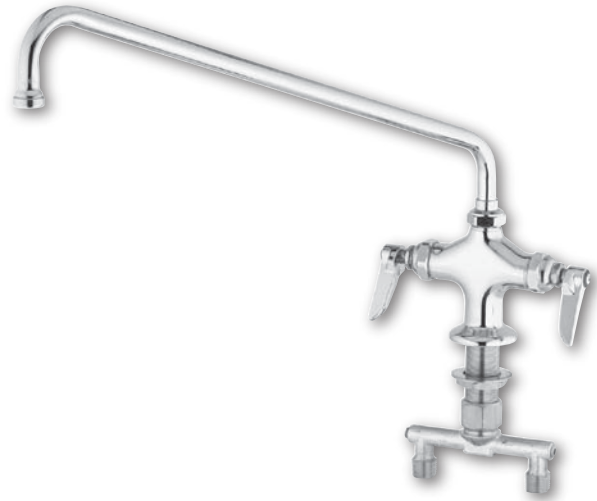
- 18" swing nozzle (065X)
- Deck mounted double pantry faucet
- Lever handles
- Single hole faucet with 4" C/C spreader unit
- 1-1/8" shank
- Fits sinks up to 1-1/2" thick
- 1/2" NPT male inlets

Variations

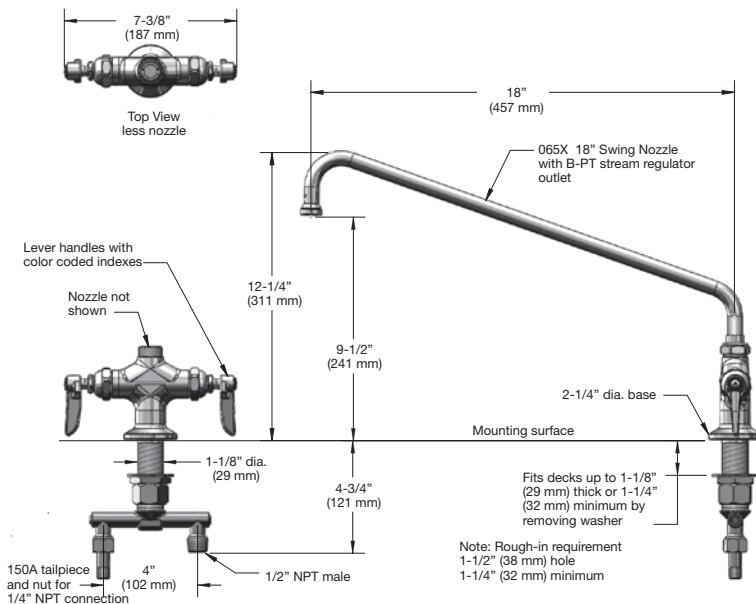
- B-0201** Same as B-0200 except with 12" (305 mm) swing nozzle (062X)

Notes:

Ceramic cartridges available as modification — add "-CD" to model number
 Alternate aerators available upon request — see page 94 for options



Faucet Dimensions



Features

- Brass construction
- Chrome plated finish
- Lever handles
- Swing nozzle
- Deck mounted double pantry faucet

Compliant to:

- ASME A112.18.1M
- NSF 61, Sec. 9
- CSA B125
- ADA

Warranty

1 year (limited)

Made in the USA



This space for Architect/Engineer Approval

Job Name _____ Date _____

Model Specified _____ Quantity _____

Variations Specified _____

Customer/Wholesaler _____

Contractor _____

Architect _____

T&S Brass and Bronze Works, Inc. • 2 Saddleback Cove, P.O. Box 1088 • Travelers Rest, SC 29690
 Ph 864-834-4102 • Fax 864-834-3518 • Web www.tsbrass.com

B-0200 and B-0201 Faucets S.S. — Rev. 1 (5/08)

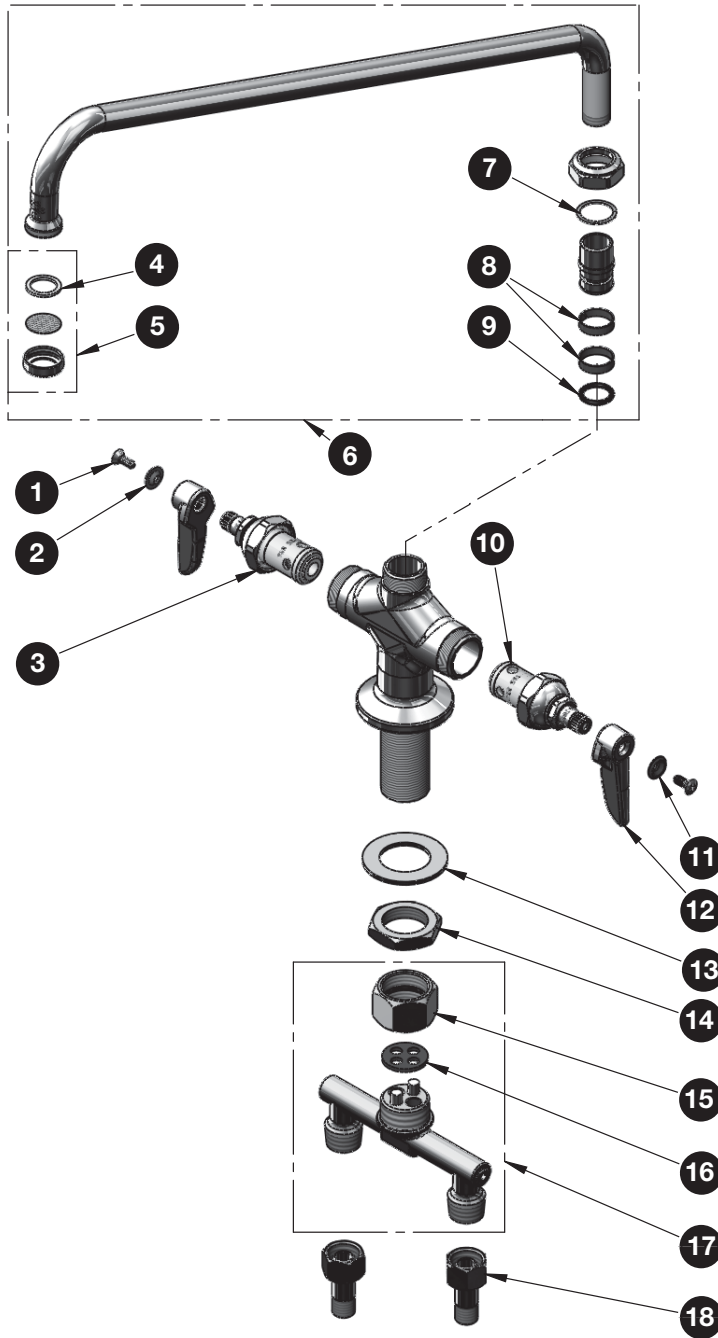
Copyright © 2008 T&S Brass and Bronze Works, Inc. Printed in the USA

The information contained in this document is subject to change without notice.



RELIABILITY BUILT IN

B-0200 Swivel Pantry Faucet



No.	Part Number	Description
1	000922-45	Lever Handle Screw
2	001661-45	Red Index - HW
3	005960-40	Spindle Asm., Eterna, Hot
4	009638-45	Washer
5	B-PT	Stream Regulator Asm.
6	065X	18" Swing Nozzle Asm.
7	009538-45	Swivel Washer
8	011429-45	Swivel Sleeves (2)
9	001074-45	O-Ring
10	005959-40	Spindle Asm., Eterna, Cold
11	001660-45	Blue Index - CW
12	001638-45	Lever Handle
13	007365-45	Lock Washer
14	000965-45	Lock Nut
15	000736-20	Spreader Coupler Nut
16	009634-45	Spread Washer
17	002898-40	4" Spreader Unit
18	150A	Bag of (1) Nut and (1) Tailpiece

T&S Brass and Bronze Works, Inc. • 2 Saddleback Cove, P.O. Box 1088 • Travelers Rest, SC 29690
Ph 864-834-4102 • Fax 864-834-3518 • Web www.tsbrass.com

B-0200 and B-0201 Faucets S.S. — Rev. 1 (5/08)

Copyright © 2008 T&S Brass and Bronze Works, Inc. Printed in the USA



RELIABILITY BUILT IN

B-0205 and B-0207 Swivel Pantry Faucets

Description

Deck mounted single pantry faucet with swing nozzle and lever handle

Model

- B-0205** Deck mounted Single Pantry Faucet with Swing Nozzle
- B-0207** Deck mounted Single Pantry Faucet with Swing Nozzle

Flow Rate

- Unrestricted

Specifications

Chrome Plated Cast Brass Body, Deck Mounted Single Pantry Faucet with the following features:

- Lever handle (specify cold or hot) • 1/2" NPSM male shank
- 1/4" NPT union type tailpiece

B-0205 includes a 18" swing nozzle (065X)

B-0207 includes a 6" swing nozzle (059X)

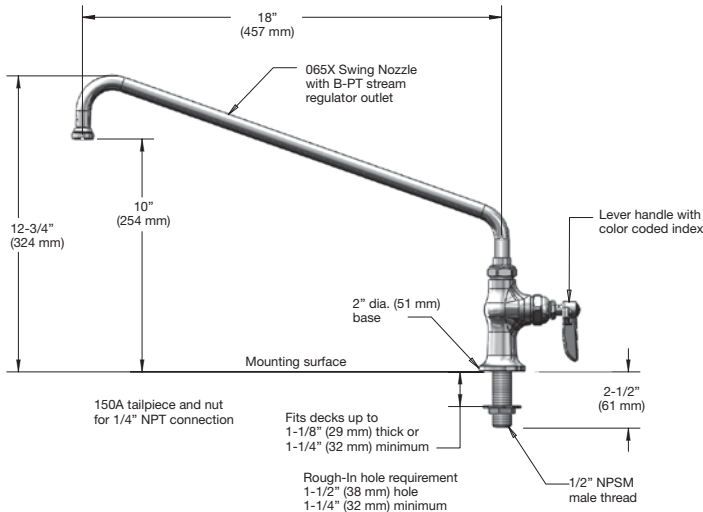
Notes:

Ceramic cartridges available as modification – add "-CD" to model number

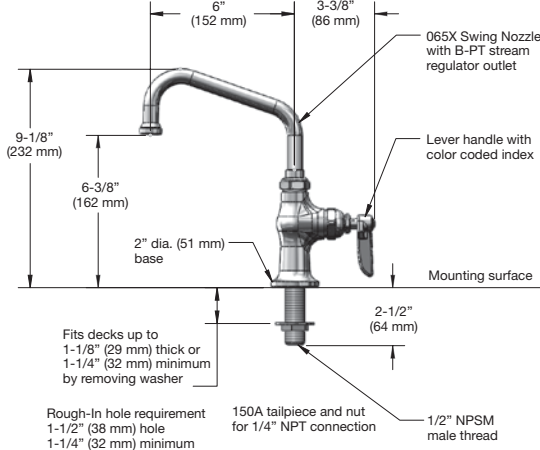
Alternate aerators available upon request – see page 94 for options

Faucet Dimensions

B-0205



B-0207



B-0205

Features

- Brass construction
- Chrome plated finish
- Deck mounted single pantry faucet
- 18" Swing nozzle (B-0205)
- 6" Swing nozzle (B-0207)
- Lever handle (specify hot or cold)

Compliant to:

- ASME A112.18.1M
- NSF 61, Sec. 9
- CSA B125
- ADA

Warranty

1 year (limited)



This space for Architect/Engineer Approval

Job Name _____ Date _____

Model Specified _____ Quantity _____

Variations Specified _____

Customer/Wholesaler _____

Contractor _____

Architect _____

T&S Brass and Bronze Works, Inc. • 2 Saddleback Cove, P.O. Box 1088 • Travelers Rest, SC 29690
Ph 864-834-4102 • Fax 864-834-3518 • Web www.tsbrass.com

B-0205 and B-0207 Faucets S.S. – Rev. 1 (5/08)

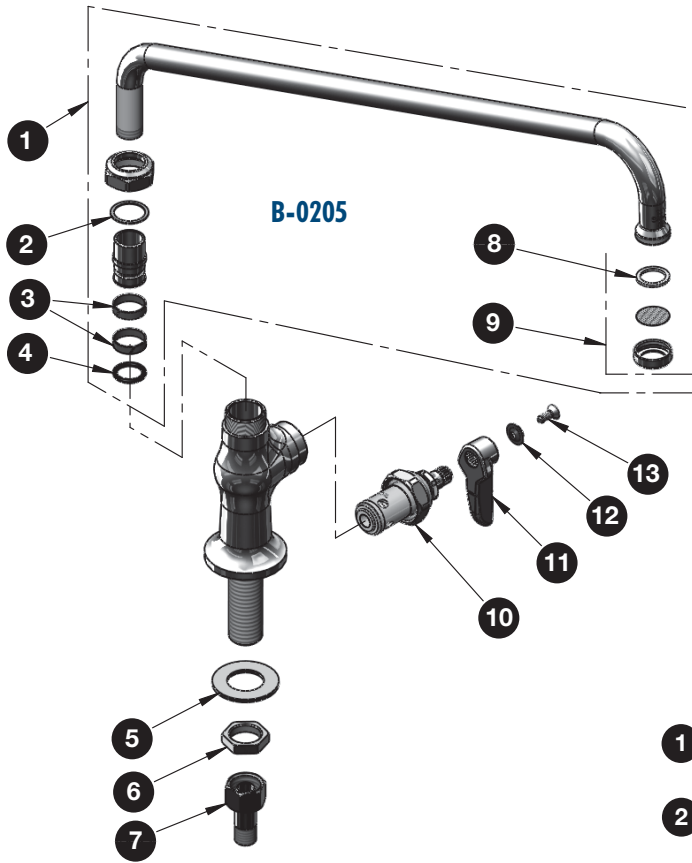
Copyright © 2008 T&S Brass and Bronze Works, Inc. Printed in the USA

The information contained in this document is subject to change without notice.



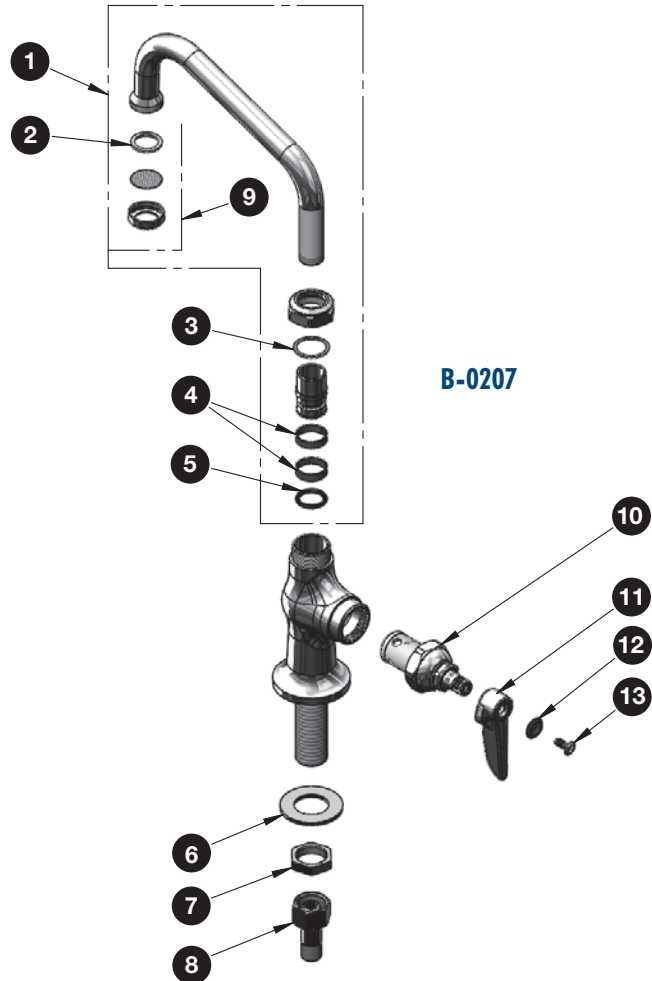
RELIABILITY BUILT IN

B-0205 and B-0207 Swivel Pantry Faucets



No.	Part Number	Description
1	065X	18" Swing Nozzle Asm.
2	009538-45	Swivel Washer
3	011429-45	Swivel Sleeves (2)
4	001074-45	O-Ring
5	000999-45	Brass Lock Washer
6	002954-45	Shank Lock Nut
7	150A	Bag of (1) Nut and (1) Tailpiece
8	009638-45	Washer
9	B-PT	Stream Regulator Asm.
10	005960-40	Spindle Asm., Eterna, Hot
11	001638-45	Lever Handle
12	001660-45	Blue Index - CW
13	000922-45	Lever Handle Screw

No.	Part Number	Description
1	059X	6" Swing Nozzle Asm.
2	009638-45	Washer
3	009538-45	Swivel Washer
4	011429-45	Swivel Sleeves (2)
5	001074-45	O-Ring
6	000999-45	Brass Lock Washer
7	002954-45	Shank Lock Nut
8	150A	Bag of (1) Nut and (1) Tailpiece
9	B-PT	Stream Regulator Asm.
10	005960-40	Spindle Asm., Eterna, Hot
11	001638-45	Lever Handle
12	001660-45	Blue Index - CW
13	000922-45	Lever Handle Screw



T&S Brass and Bronze Works, Inc. • 2 Saddleback Cove, P.O. Box 1088 • Travelers Rest, SC 29690
 Ph 864-834-4102 • Fax 864-834-3518 • Web www.tsbrass.com

B-0205 and B-0207 Faucets S.S. - Rev. 1 (5/08)

Copyright © 2008 T&S Brass and Bronze Works, Inc. Printed in the USA



RELIABILITY BUILT IN

B-0208 Single Hole Faucet

Description

Single hole deck mounted faucet with swivel spout and lever handle

Model

□ **B-0208** Deck Mounted Single Hole Faucet with 360° swivel base, 6" cast spout, aerator and lever handle

Flow Rate

□ 2.2 gpm/8.3 lpm max.

Specifications

Chrome Plated Forged Brass Body, Deck-Mounted Faucet with the following features:

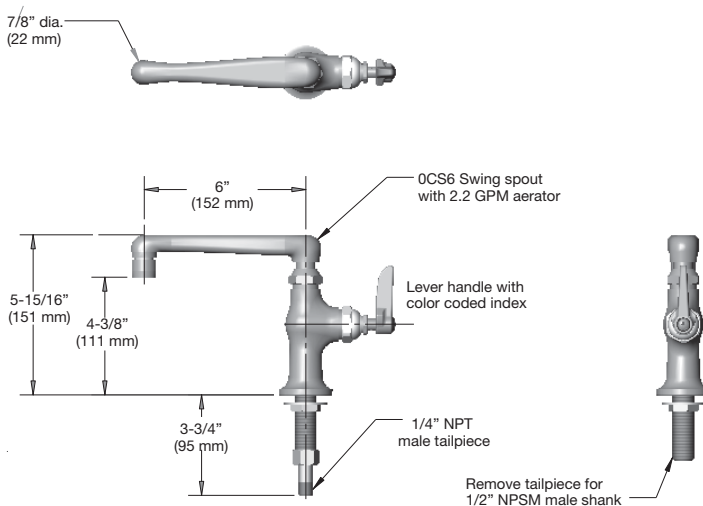
- Single 1/2" NPSM male shank with coupling nut and 1/4" NPT adapter
- Mounts to 2-1/2" (64 mm) max. thickness countertop
- 2-1/4" (57 mm) lever handle
- Forged brass body
- 6" (152 mm) cast swivel spout
- Aerated outlet (2.2 gpm/8.3 lpm max.)

Notes:

Ceramic cartridges available as modification — add "-CD" to model number
 Alternate aerators available upon request — see page 94 for options
 Alternate handles available upon request — see page 93-94 for options



Faucet Dimensions



Features

- Brass construction
- Chrome plated finish
- Lever handle
- Swivel spout
- Aerated outlet
- 4-1/4" (108 mm) clearance from deck to bottom of outlet
- Mounting hardware included

Compliant to:

- ASME A112.18.1M
- NSF 61, Sec. 9
- CSA B125
- ADA

Warranty

1 year (limited)

Made in the USA



T&S Brass and Bronze Works, Inc. • 2 Saddleback Cove, P.O. Box 1088 • Travelers Rest, SC 29690
Ph 864-834-4102 • Fax 864-834-3518 • Web www.tsbrass.com

B-0208 Faucet S.S. — Rev. 1 (5/08)

Copyright © 2008 T&S Brass and Bronze Works, Inc. Printed in the USA

This space for Architect/Engineer Approval	
Job Name _____	Date _____
Model Specified _____	Quantity _____
Variations Specified _____	
Customer/Wholesaler _____	
Contractor _____	
Architect _____	

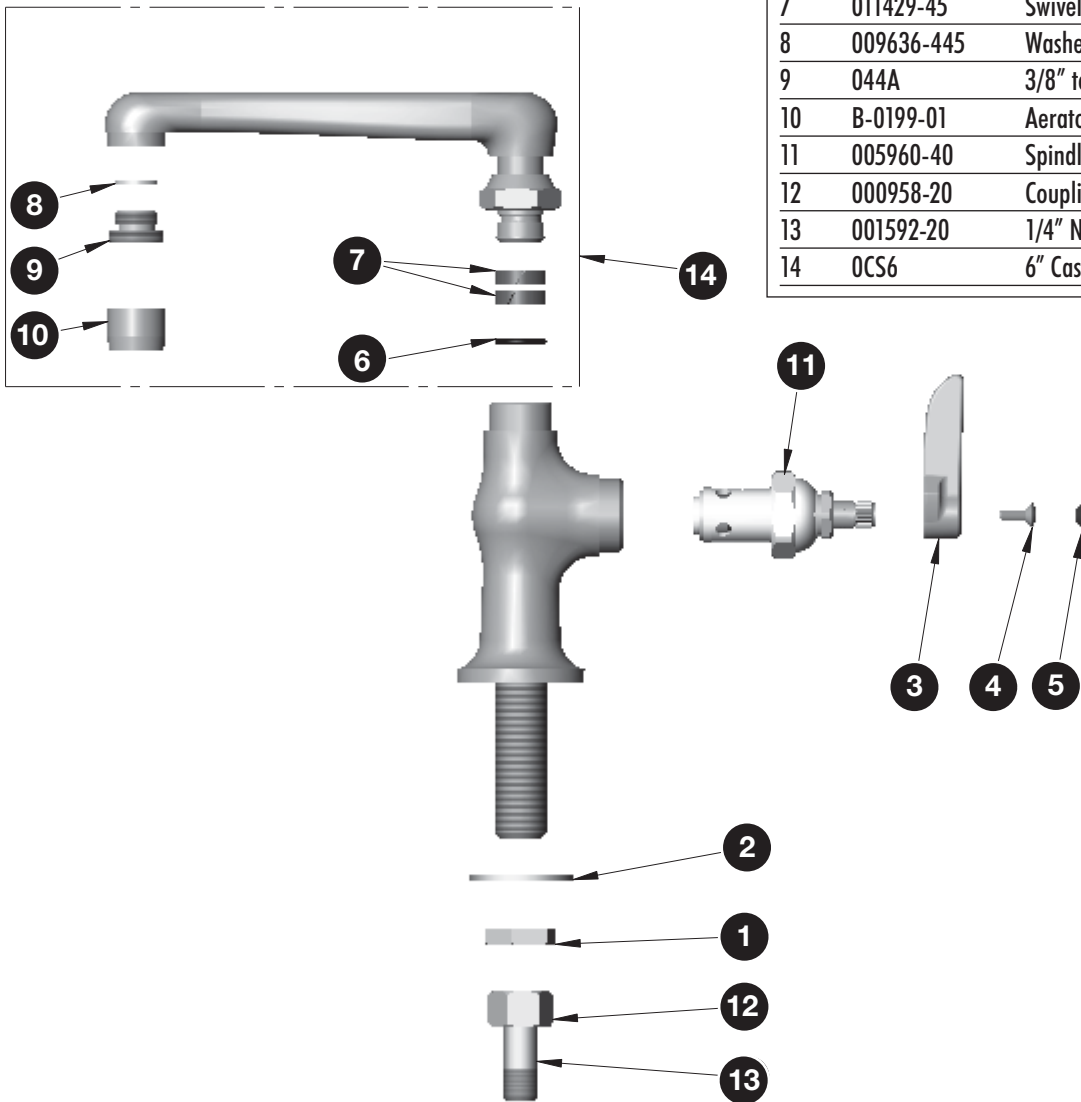
The information contained in this document is subject to change without notice.



RELIABILITY BUILT IN

B-0208 Single Hole Faucet

No.	Part Number	Description
1	002954-45	Shank Lock Nut
2	007361-45	Brass Lock Washer
3	177F	Lever Handle
4	000922-45	Lever Handle Screw
5	001660-45	Blue Index - CW
6	001074-45	O-Ring
7	011429-45	Swivel Sleeve
8	009636-445	Washer
9	044A	3/8" to Aerator Adapter
10	B-0199-01	Aerator, 2.2 GPM
11	005960-40	Spindle Asm., Eterna, Hot
12	000958-20	Coupling Nut
13	001592-20	1/4" NPT Tailpiece
14	OCS6	6" Cast Spout



T&S Brass and Bronze Works, Inc. • 2 Saddleback Cove, P.O. Box 1088 • Travelers Rest, SC 29690
Ph 864-834-4102 • Fax 864-834-3518 • Web www.tsbrass.com

B-0208 Faucet S.S. — Rev. 1 (5/08)

Copyright © 2008 T&S Brass and Bronze Works, Inc. Printed in the USA



RELIABILITY BUILT IN

B-0220 and B-0221-CC Deck Mounted Swivel Mixing Faucets

Description

Deck mounted swivel mixing faucet with swing nozzle and lever handles

Model

- B-0220** Deck-Mounted Swivel Mixing Faucet, 18" Swing Nozzle with Eccentric Flanged Inlets
- B-0221-CC** Deck-Mounted Mixing Faucet, 12" Swing Nozzle with CC Male Inlets

Flow Rate

- Unrestricted

Specifications

Chrome Plated Cast Brass Body, Deck-Mounted Swivel Mixing Faucet with the following features:

- 8" C/C mixing faucet
- Lever handles with color coded index buttons
- B-0220** 18" Swing nozzle and 1/2" NPT eccentric flanged female inlets
- B-0221-CC** 12" Swing nozzle and 1/2" NPT CC male inlets

Variations

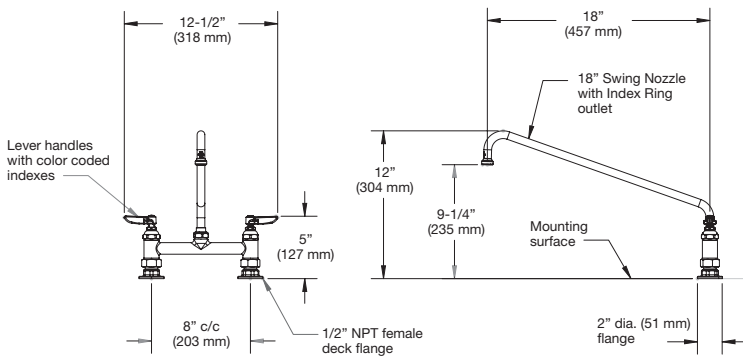
- B-0221** Same as B-0220 except with 12" (305 mm) swing nozzle (062X)

Notes:

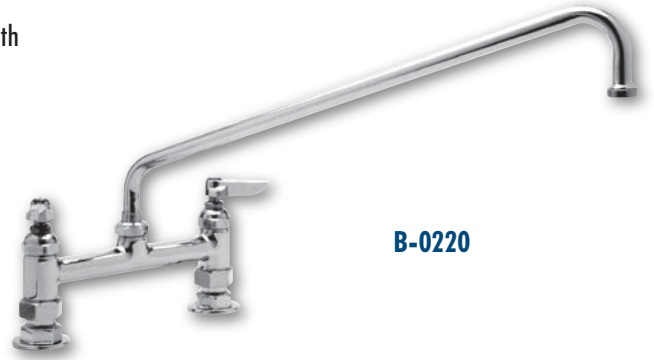
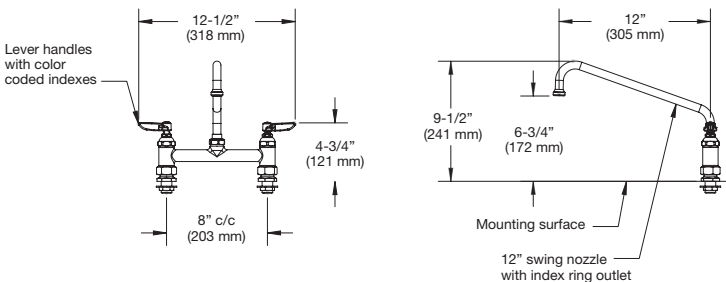
Supply nipples are sold separately (B-0425)
 Ceramic cartridges available as modification — add "-CD" to model number
 Alternate aerators available upon request — see page 94 for options

Faucet Dimensions

B-0220



B-0221-CC



B-0220

Features

- Brass construction
- Chrome plated finish
- Lever handles with color coded index buttons
- Swing nozzle

Compliant to:

- ASME A112.18.1M
- NSF 61, Sec. 9
- CSA B125
- ADA

Warranty

1 year (limited)



This space for Architect/Engineer Approval

Job Name _____ Date _____

Model Specified _____ Quantity _____

Variations Specified _____

Customer/Wholesaler _____

Contractor _____

Architect _____

T&S Brass and Bronze Works, Inc. • 2 Saddleback Cove, P.O. Box 1088 • Travelers Rest, SC 29690
 Ph 864-834-4102 • Fax 864-834-3518 • Web www.tsbrass.com

B-0220 and B-0221-CC Faucets S.S. — Rev. 1 (5/08)

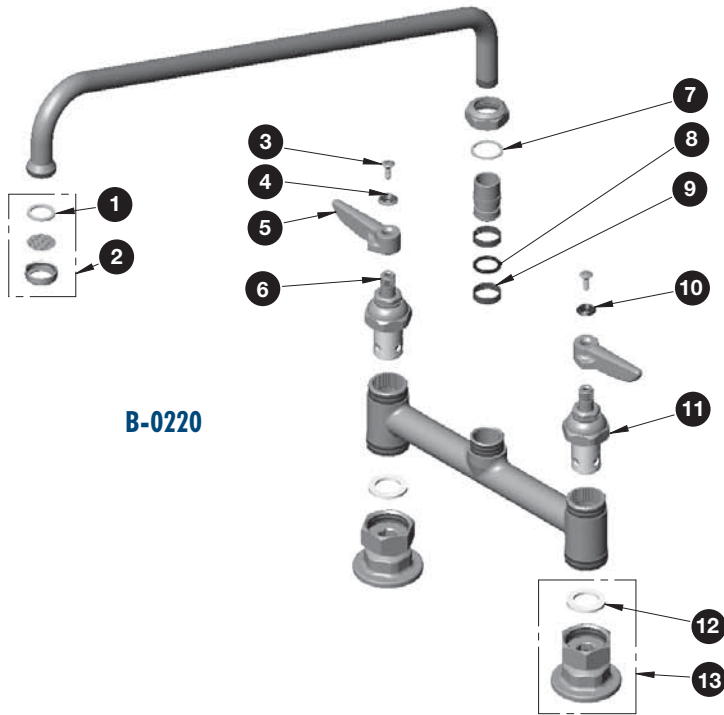
Copyright © 2008 T&S Brass and Bronze Works, Inc. Printed in the USA

The information contained in this document is subject to change without notice.



RELIABILITY BUILT IN

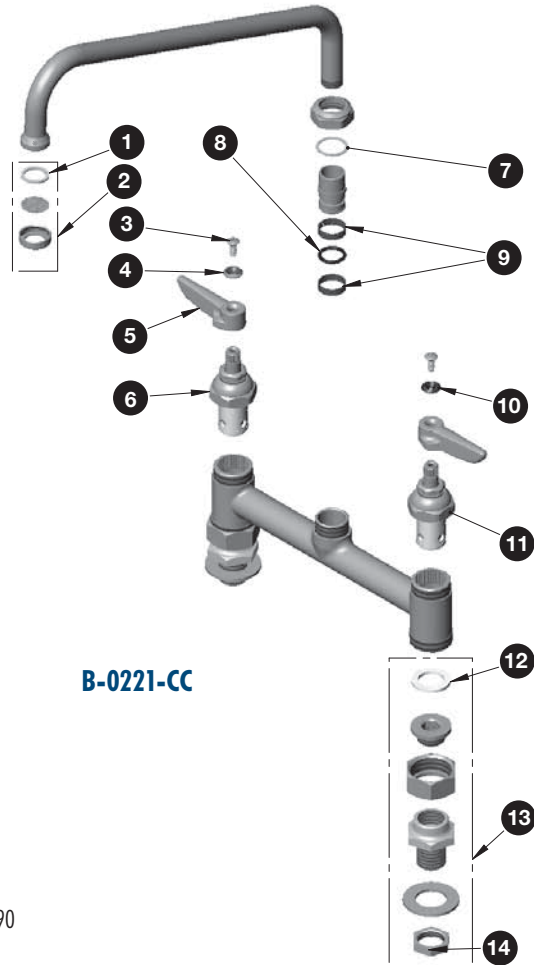
B-0220 and B-0221-CC Deck Mounted Swivel Mixing Faucets



B-0220

No.	Part Number	Description
1	009638-45	Washer
2	B-PT	Index Ring Asm.
3	000922-45	Lever Handle Screw
4	001661-45	Red Index - HW
5	001638-45	Lever Handle
6	005960-40	Spindle Asm., Eterna, Hot
7	009538-45	Swivel Washer
8	001074-45	O-Ring
9	011429-45	Swivel Sleeve
10	001660-45	Blue Index - CW
11	005959-40	Spindle Asm., Eterna, Cold
12	001019-45	Washer, Coupling Nut
13	00AA	Flange Assembly, 00AA

No.	Part Number	Description
1	009638-45	Washer
2	B-PT	Index Ring Asm.
3	000922-45	Lever Handle Screw
4	001661-45	Red Index - HW
5	001638-45	Lever Handle
6	005960-40	Spindle Asm., Eterna, Hot
7	009538-45	Swivel Washer
8	001074-45	O-Ring
9	011429-45	Swivel Sleeve
10	001660-45	Blue Index - CW
11	005959-40	Spindle Asm., Eterna, Cold
12	001019-45	Washer, Coupling Nut
13	00CC	Male Inlet, 1/2" NPT
14	002954-45	Shank Lock Nut



B-0221-CC

T&S Brass and Bronze Works, Inc. • 2 Saddleback Cove, P.O. Box 1088 • Travelers Rest, SC 29690
Ph 864-834-4102 • Fax 864-834-3518 • Web www.tsbrass.com

B-0220 and B-0221-CC Faucets S.S. — Rev. 1 (5/08)
Copyright © 2008 T&S Brass and Bronze Works, Inc. Printed in the USA



RELIABILITY BUILT IN

B-0230 and B-0231 Swivel Pantry Faucets

Description

Wall mounted swivel pantry faucet with swing nozzle and lever handles

Model

- B-0230** Wall Mounted Swivel Pantry Faucet with 18" Swing Nozzle
- B-0231** Wall Mounted Swivel Pantry Faucet with 12" Swing Nozzle

Flow Rate

- Unrestricted

Specifications

Chrome Plated Cast Brass Body, Wall mounted Swivel Faucet with the following features:

- 8" centers • 1/2" NPT eccentric flanged female inlets
- Lever handles with color coded index buttons

B-0230 includes 18" swing nozzle

B-0231 includes 12" swing nozzle

Variations

- B-0231-CC** Same as B-0231 except with 1/2" NPT CC male inlets
- B-0231-EE** Same as B-0231 except with 1/2" NPT EE male inlets
- B-0232-CC** Same as B-0231 except with 6" (152 mm) swing nozzle and 1/2" NPT CC male inlets

Notes:

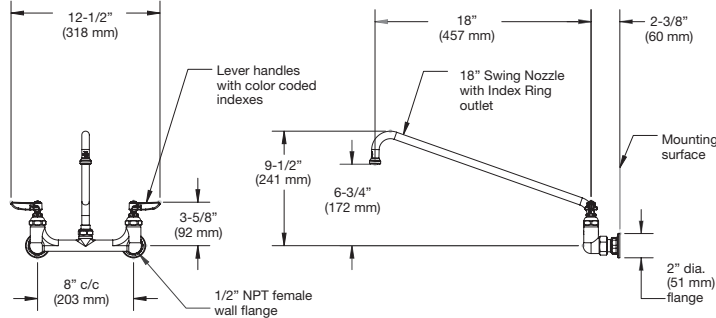
Installation Kit sold separately – (B-0230-K)

Ceramic cartridges available as modification – add "-CD" to model number

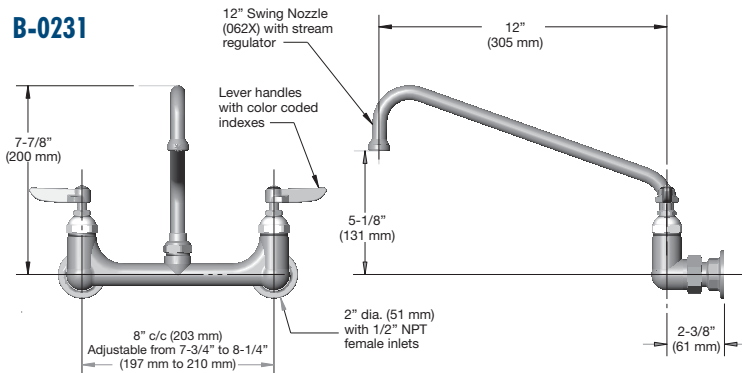
Alternate aerators available upon request – see page 94 for options

Faucet Dimensions

B-0230



B-0231



B-0230



B-0231

Features

- Cast brass construction
- Swing nozzle
- Eccentric flanged female inlets
- Lever handles with color coded index buttons
- Polished chrome plated finish

Compliant to:

- ASME A112.18.1M
- NSF 61, Sec. 9
- CSA B125
- ADA

Warranty

1 year (limited)

Made in the USA



This space for Architect/Engineer Approval

Job Name _____ Date _____

Model Specified _____ Quantity _____

Variations Specified _____

Customer/Wholesaler _____

Contractor _____

Architect _____

T&S Brass and Bronze Works, Inc. • 2 Saddleback Cove, P.O. Box 1088 • Travelers Rest, SC 29690
Ph 864-834-4102 • Fax 864-834-3518 • Web www.tsbrass.com

B-0230 and B-0231 Faucets S.S. – Rev. 1 (5/08)

Copyright © 2008 T&S Brass and Bronze Works, Inc. Printed in the USA

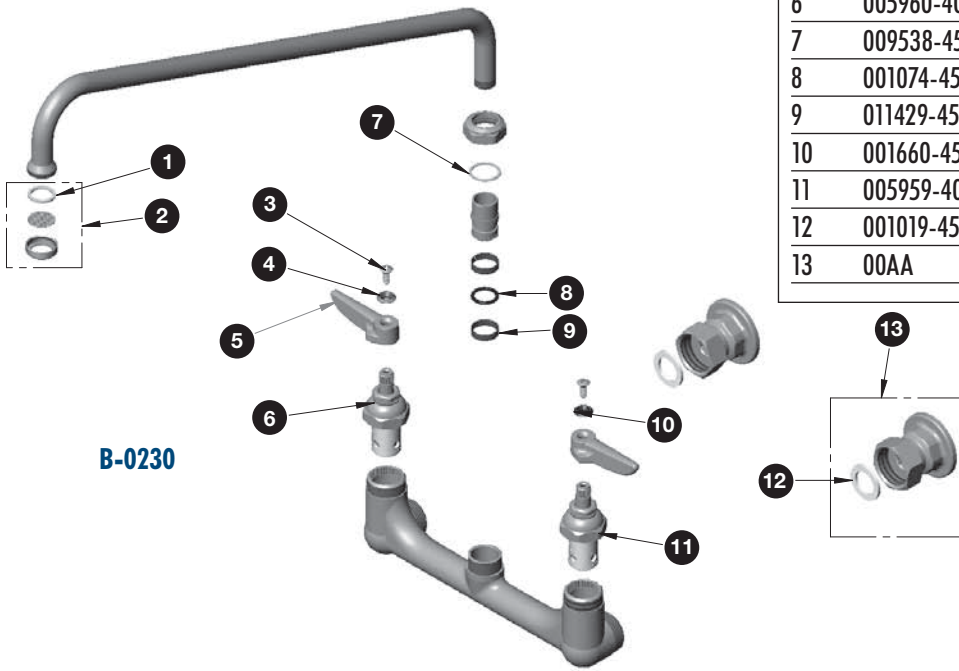
The information contained in this document is subject to change without notice.



RELIABILITY BUILT IN

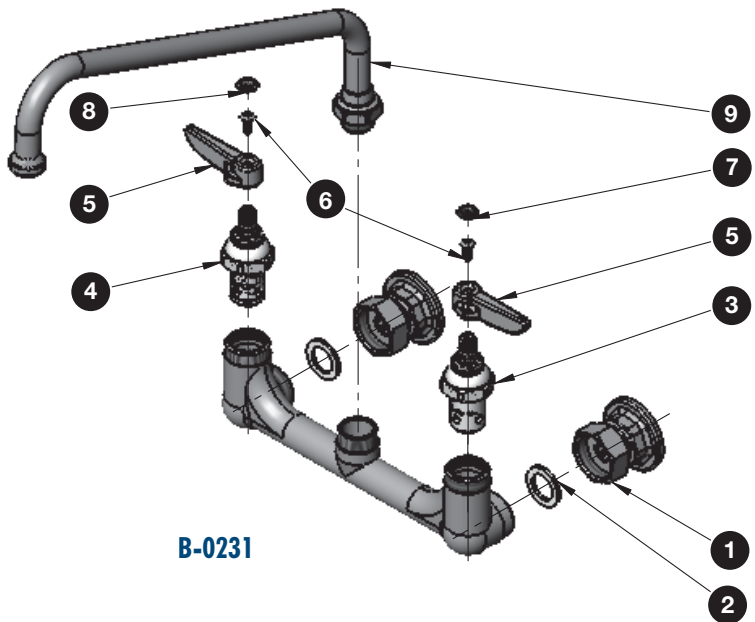
B-0230 and B-0231 Swivel Pantry Faucets

No.	Part Number	Description
1	009638-45	Washer
2	B-PT	Index Ring Asm.
3	000922-45	Lever Handle Screw
4	001661-45	Red Index - HW
5	001638-45	Lever Handle
6	005960-40	Spindle Asm., Eterna, Hot
7	009538-45	Swivel Washer
8	001074-45	O-Ring
9	011429-45	Swivel Sleeve
10	001660-45	Blue Index - CW
11	005959-40	Spindle Asm., Eterna, Cold
12	001019-45	Washer, Coupling Nut
13	00AA	Flange Assembly, 00AA



B-0230

No.	Part Number	Description
1	00AA	Flange Assembly, 00AA
2	001019-45	Washer, Coupling Nut
3	005959-40	Spindle Asm., Eterna, Cold
4	005960-40	Spindle Asm., Eterna, Hot
5	177F	Lever Handle
6	000922-45	Lever Handle Screw
7	001660-45	Blue Index - CW
8	001661-45	Red Index - HW
9	062X	12" Swing Nozzle with Stream Regulator



B-0231

T&S Brass and Bronze Works, Inc. • 2 Saddleback Cove, P.O. Box 1088 • Travelers Rest, SC 29690
 Ph 864-834-4102 • Fax 864-834-3518 • Web www.tsbrass.com

B-0230 and B-0231 Faucets S.S. — Rev. 1 (5/08)
 Copyright © 2008 T&S Brass and Bronze Works, Inc. Printed in the USA



RELIABILITY BUILT IN

B-0290 Big-Flo Faucet

Description

Wall mounted faucet with 12" swing nozzle and 3/4" NPT model LL street EL inlets with locknuts

Model

B-0290 Wall Mounted Big-Flo Faucet with 12" Swing Nozzle

Flow Rate

Unrestricted

Specifications

Chrome Plated Cast Brass Body, Wall mounted Big-flo Faucet with the following features:

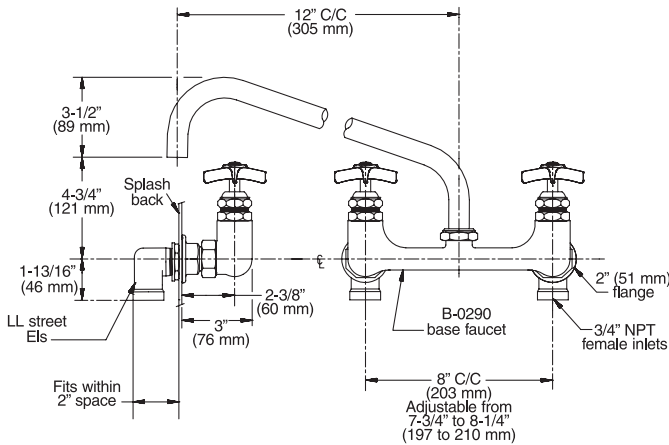
- 8" centers
- 12" swing nozzle (114X)
- 3/4" NPT model LL street EL inlets with locknuts
- 175F four-arm handles with color coded index buttons

Notes

If LL street ELs are not required, specify inlets of faucet 3/4" NPT female flange



Faucet Dimensions



Features

- Cast brass construction
- Swing nozzle (114X)
- LL street ELs with locknuts
- Lever handles with color coded index buttons
- Polished chrome plated finish

Compliant to:

- ASME A112.18.1M
- NSF 61, Sec. 9
- CSA B125

Warranty

1 year (limited)

Made in the USA



This space for Architect/Engineer Approval

Job Name _____ Date _____

Model Specified _____ Quantity _____

Variations Specified _____

Customer/Wholesaler _____

Contractor _____

Architect _____

The information contained in this document is subject to change without notice.

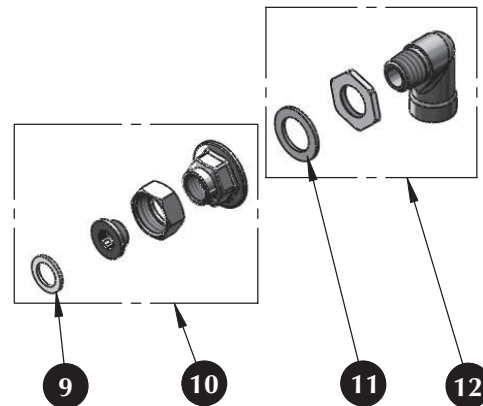
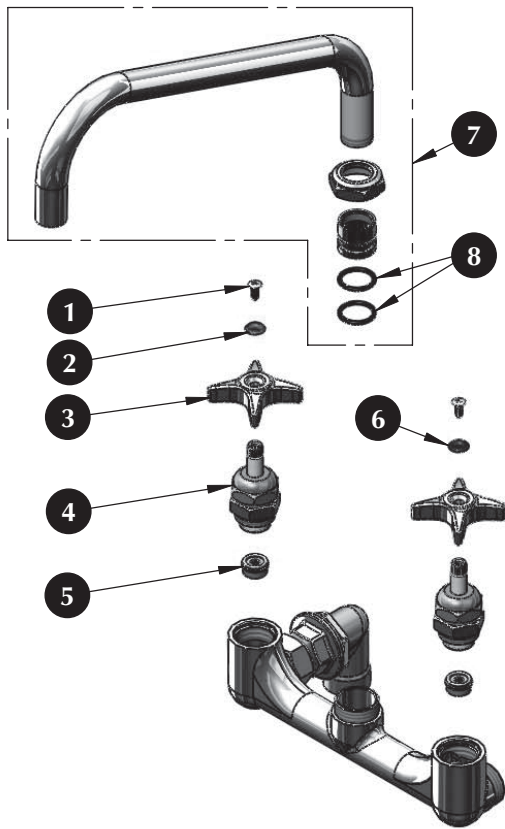
T&S Brass and Bronze Works, Inc. • 2 Saddleback Cove, P.O. Box 1088 • Travelers Rest, SC 29690
Ph 864-834-4102 • Fax 864-834-3518 • Web www.tsbrass.com

B-0290 Faucet S.S. — Rev. 1 (7/08)

Copyright © 2008 T&S Brass and Bronze Works, Inc. Printed in the USA



No.	Part Number	Description
1	000922-45	Lever Handle Screw
2	001661-45	Red Index - HW
3	002521-45	Four-Arm Handle
4	006842-40	B-0290 Spindle Asm.
5	000764-20	B-0290 RM Seat
6	001660-45	Blue Index - CW
7	114X	12" Big-Flo Swing Nozzle
8	001068-45	O-Ring
9	001019-45	Coupling Nut Washer
10	O0BB	Flange Asm
11	001005-45	Washer
12	O0LL	"LL" Flange Asm





RELIABILITY BUILT IN

B-0300

Rigid Double Pantry Faucet

Description

Deck mounted double pantry faucet with rigid gooseneck

Model

☐ **B-0300** Deck Mounted Double Pantry Faucet with 5-1/2" Spread Rigid Gooseneck

Flow Rate

☐ Unrestricted

Specifications

Chrome Plated Cast Brass Body, Deck mounted Rigid Pantry Faucet with the following features:

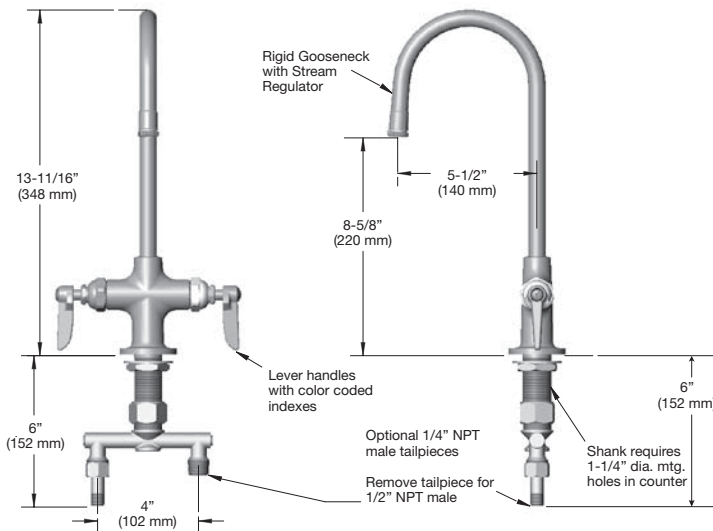
- Single hole base faucet with 4" spreader unit
- Rigid gooseneck (120X)
- Lever handles with color coded indexes
- 1/2" NPT male inlets
- Nut and tailpiece furnished for optional 1/4" NPT connections
- Fits sinks up to 1-1/2" thick

Notes:

Ceramic cartridges available as modification – add "-CD" to model number
Alternate aerators available upon request – see page 94 for options



Faucet Dimensions



Features

- Cast brass construction
- Rigid gooseneck
- Single hole base faucet with spreader unit
- Lever handles with color coded index buttons
- Polished chrome plated finish

Compliant to:

- ASME A112.18.1M
- NSF 61, Sec. 9
- CSA B125

Warranty

1 year (limited)

Made in the USA



This space for Architect/Engineer Approval

Job Name _____	Date _____
Model Specified _____	Quantity _____
Variations Specified _____	
Customer/Wholesaler _____	
Contractor _____	
Architect _____	

The information contained in this document is subject to change without notice.

T&S Brass and Bronze Works, Inc. • 2 Saddleback Cove, P.O. Box 1088 • Travelers Rest, SC 29690
h 864-834-4102 • Fax 864-834-3518 • Web www.tsbrass.com

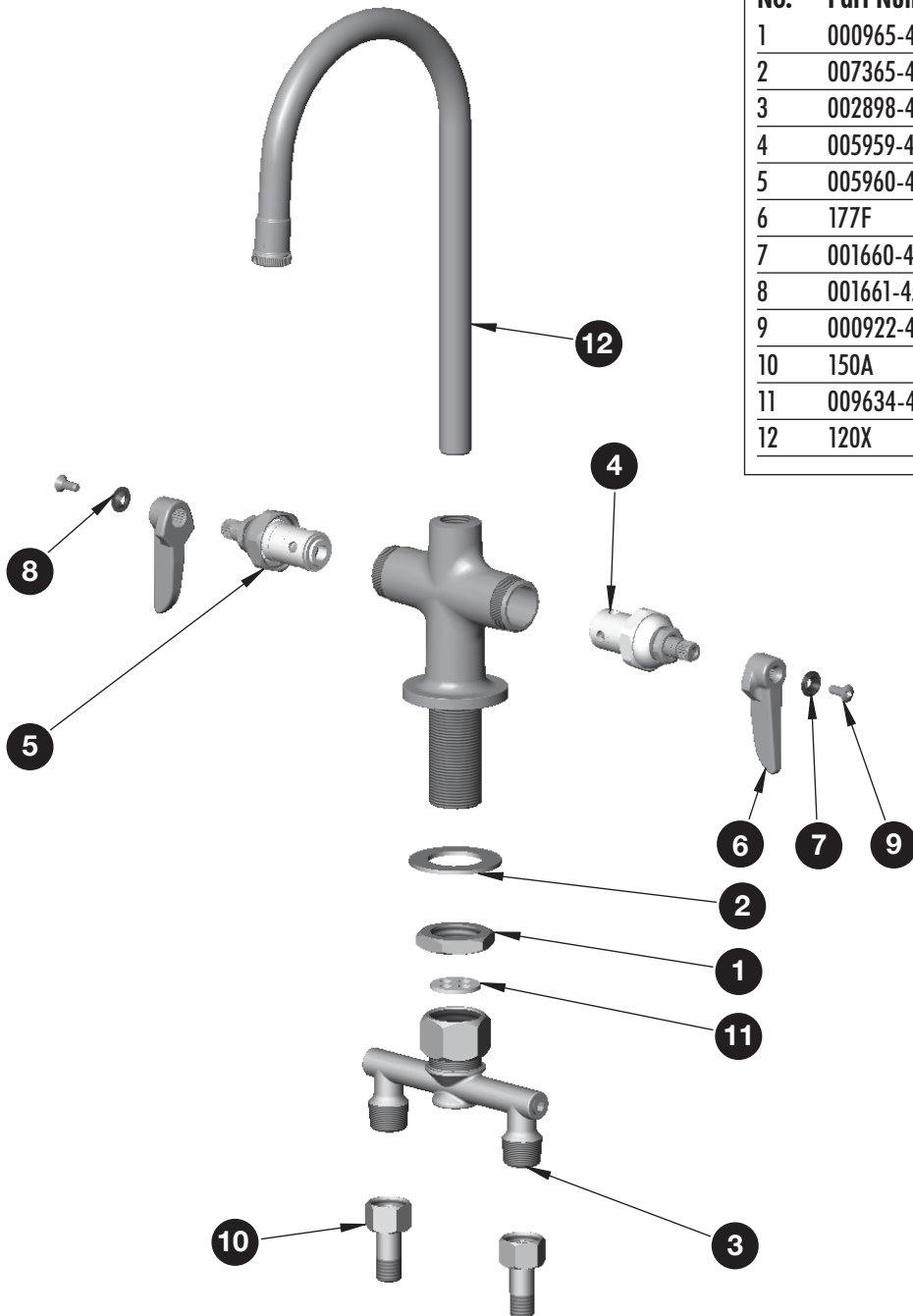
B-0300 Faucet S.S. – Rev. 1 (5/08)

Copyright © 2008 T&S Brass and Bronze Works, Inc. Printed in the USA



RELIABILITY BUILT IN

B-0300
Rigid Double Pantry Faucet



No.	Part Number	Description
1	000965-45	Lock Nut
2	007365-45	Lock Washer
3	002898-40	Spreader Assembly
4	005959-40	Spindle Asm., Eterna, Cold
5	005960-40	Spindle Asm., Eterna, Hot
6	177F	Lever Handle
7	001660-45	Blue Index - CW
8	001661-45	Red Index - HW
9	000922-45	Lever Handle Screw
10	150A	Nut and Tailpiece
11	009634-45	Spreader Washer
12	120X	Rigid Gooseneck with B-LT

T&S Brass and Bronze Works, Inc. • 2 Saddleback Cove, P.O. Box 1088 • Travelers Rest, SC 29690
h 864-834-4102 • Fax 864-834-3518 • Web www.tsbrass.com

B-0300 Faucet S.S. — Rev. 1 (5/08)

Copyright © 2008 T&S Brass and Bronze Works, Inc. Printed in the USA



RELIABILITY BUILT IN

B-0325 and B-0225 Swivel Pantry Faucets

Description

Deck mounted swivel double pantry faucet with swivel gooseneck (B-0325) or swing nozzle (B-0225)

Model

- B-0325** Deck Mounted Swivel Pantry Faucet with 5-11/16" Spread Gooseneck
- B-0225** Deck Mounted Swivel Pantry Faucet with 12" Swing Nozzle

Flow Rate

- Unrestricted

Specifications

Chrome Plated Cast Brass Body, Deck mounted Swivel Pantry Faucet with the following features:

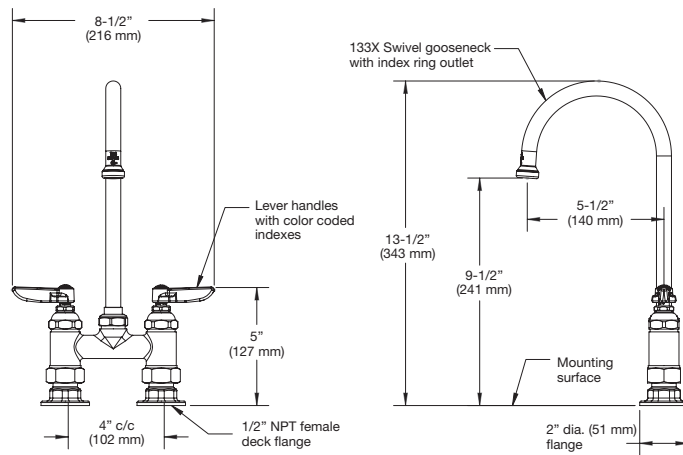
- 4" centers • 1/2" NPT female inlets • Lever handles with color coded indexes
- B-0325** includes 133X swivel gooseneck
- B-0225** includes 065X swing nozzle

Notes:

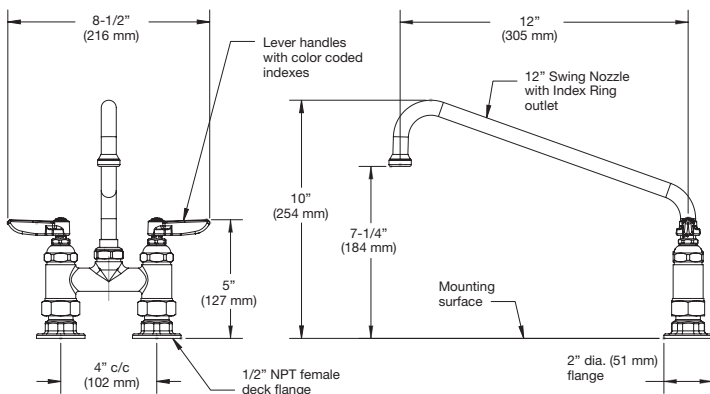
- Supply nipples are sold separately (B-0425)
- Ceramic cartridges available as modification — add "-CD" to model number
- Alternate aerators available upon request — see page 94 for options

Faucet Dimensions

B-0325



B-0225



Features

- Cast brass construction
- Swivel gooseneck (B-0325)
- Swing nozzle (B-0225)
- Deck mounted swivel pantry faucet with 4" centers
- Lever handles with color coded index buttons
- Polished chrome plated finish

Compliant to:

- ASME A112.18.1M
- NSF 61, Sec. 9
- CSA B125

Warranty

1 year (limited)

Made in the USA



This space for Architect/Engineer Approval

Job Name _____ Date _____

Model Specified _____ Quantity _____

Variations Specified _____

Customer/Wholesaler _____

Contractor _____

Architect _____

T&S Brass and Bronze Works, Inc. • 2 Saddleback Cove, P.O. Box 1088 • Travelers Rest, SC 29690
Ph 864-834-4102 • Fax 864-834-3518 • Web www.tsbrass.com

B-0225 and B-0325 Faucets S.S. — Rev. 1 (5/08)

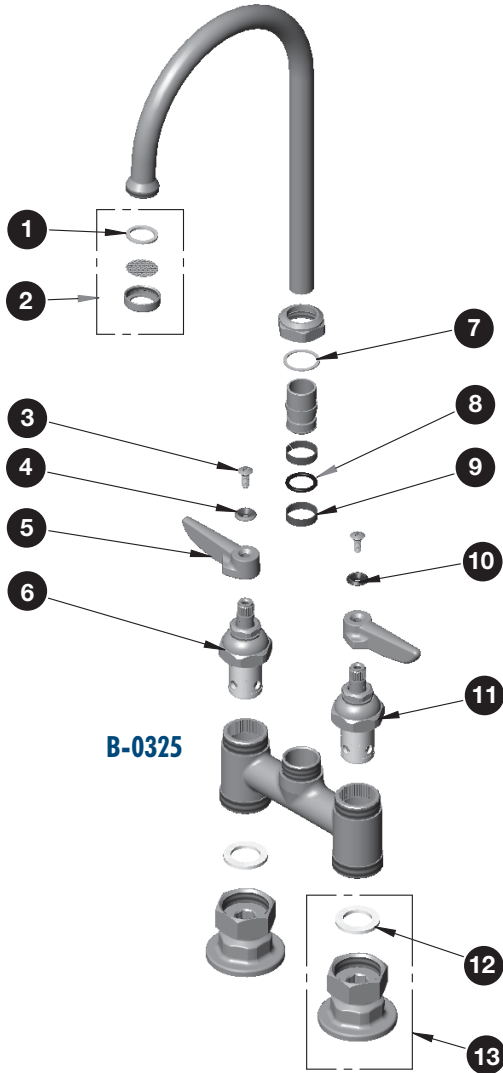
Copyright © 2008 T&S Brass and Bronze Works, Inc. Printed in the USA

The information contained in this document is subject to change without notice.



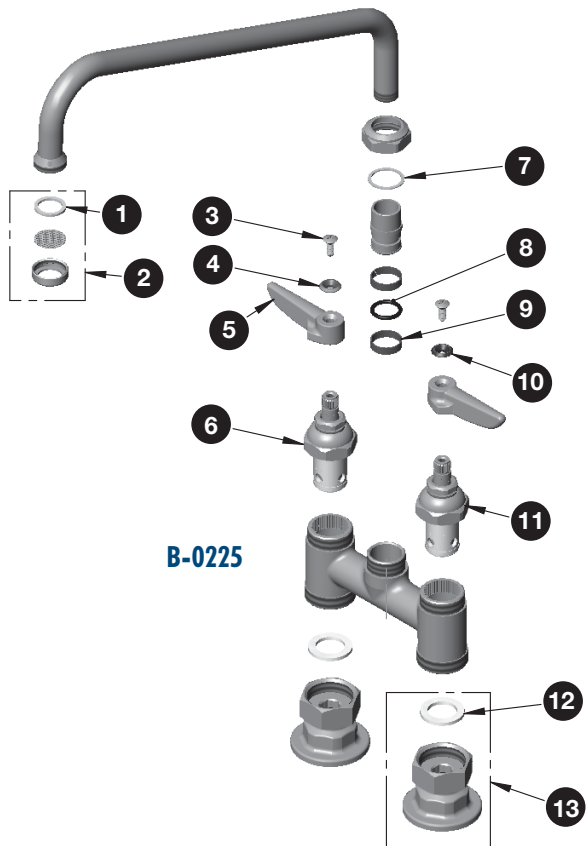
RELIABILITY BUILT IN

B-0325 and B-0225 Swivel Pantry Faucets



B-0325

No.	Part Number	Description
1	009638-45	Washer
2	B-PT	Index Ring Asm.
3	000922-45	Lever Handle Screw
4	001661-45	Red Index - HW
5	001638-45	Lever Handle
6	005960-40	Spindle Asm., Eterna, Hot
7	009538-45	Swivel Washer
8	001074-45	O-Ring
9	011429-45	Swivel Sleeve
10	001660-45	Blue Index - CW
11	005959-40	Spindle Asm., Eterna, Cold
12	001019-45	Washer, Coupling Nut
13	00AA	Flange Assembly, 00AA



B-0225

T&S Brass and Bronze Works, Inc. • 2 Saddleback Cove, P.O. Box 1088 • Travelers Rest, SC 29690
 Ph 864-834-4102 • Fax 864-834-3518 • Web www.tsbrass.com

B-0225 and B-0325 Faucets S.S. – Rev. 1 (5/08)

Copyright © 2008 T&S Brass and Bronze Works, Inc. Printed in the USA



RELIABILITY BUILT IN

B-0502 and B-0507 Double or Single Foot Pedal Valves

Description

Floor mounted double foot pedal valve (B-0502) or single foot pedal valve (B-0507)

Model

- B-0502 Double Foot Pedal Valve
- B-0507 Single Foot Pedal Valve

Flow Rate

- Unrestricted

Specifications

Chrome Plated Forged Brass Body, Floor Mounted Foot Pedal Valve with the following features:

- 1/2" NPT female outlets (B-0502)
- 1/2" NPT female inlets (B-0502)
- Standard forged brass pedal
- Hot/Cold pedal identification
- Wood mounting screws provided

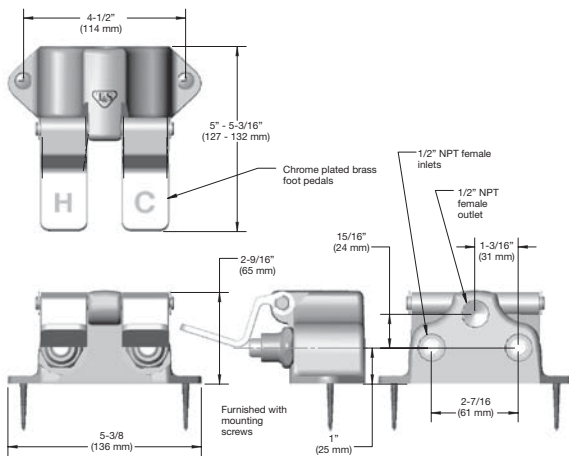
B-0507 includes single inlet or outlet for hot or cold water

Variations

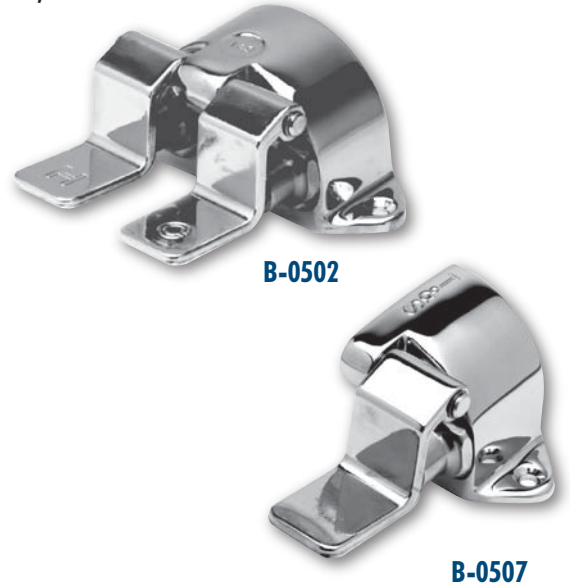
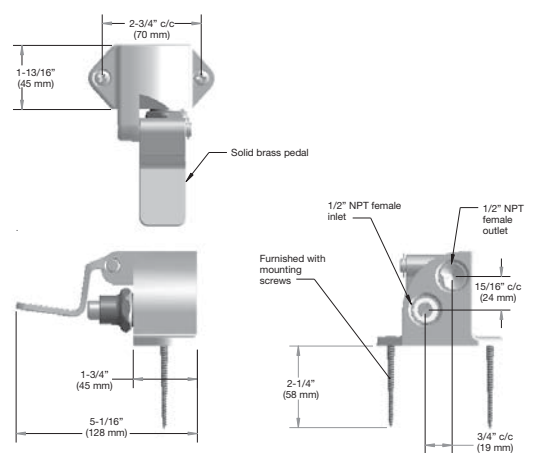
- B-0502-SL Same as B-0502 except with metering cartridges*
 - B-0507-SL Same as B-0507 except with metering cartridges*
- * Recommended for use with high water pressure or when hammer arrestors are not used

Foot Pedal Dimensions

B-0502



B-0507



Features

- Floor mounted
- Forged brass construction
- Chrome plated finish
- Hot/Cold pedal identification

Compliant to:

- ASME A112.18.1M
- NSF 61, Sec. 9
- CSA B125
- ADA

Warranty

1 year (limited)

Made in the USA



This space for Architect/Engineer Approval

Job Name _____	Date _____
Model Specified _____	Quantity _____
Variations Specified _____	
Customer/Wholesaler _____	
Contractor _____	
Architect _____	

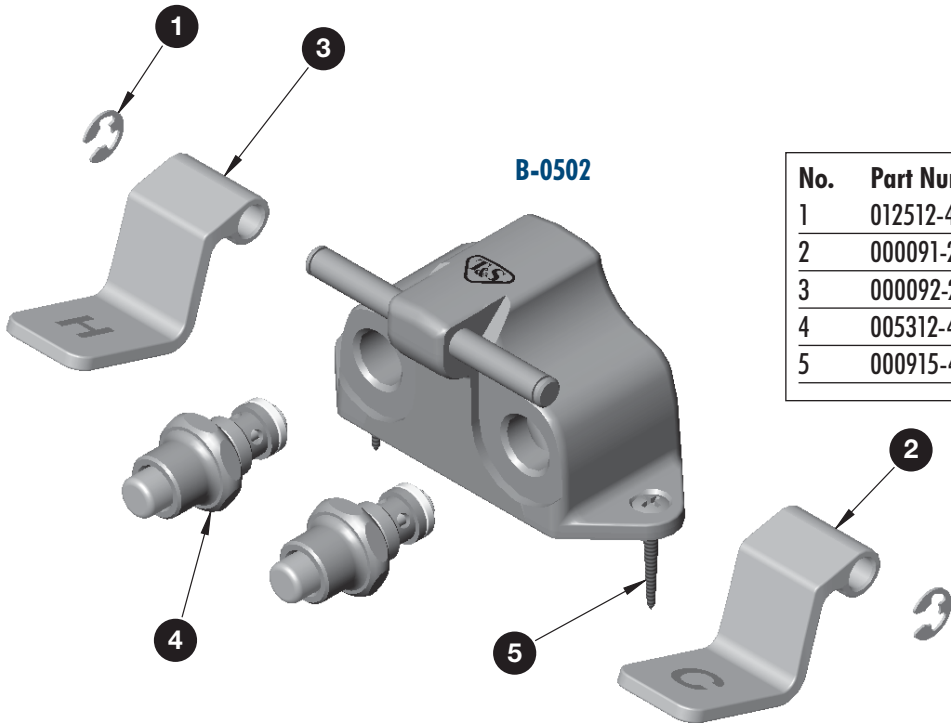
The information contained in this document is subject to change without notice.

T&S Brass and Bronze Works, Inc. • 2 Saddleback Cove, P.O. Box 1088 • Travelers Rest, SC 29690
Ph 864-834-4102 • Fax 864-834-3518 • Web www.tsbrass.com

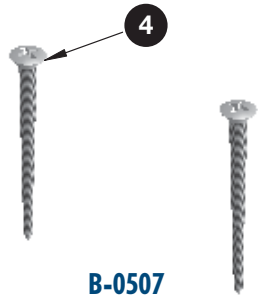


RELIABILITY BUILT IN

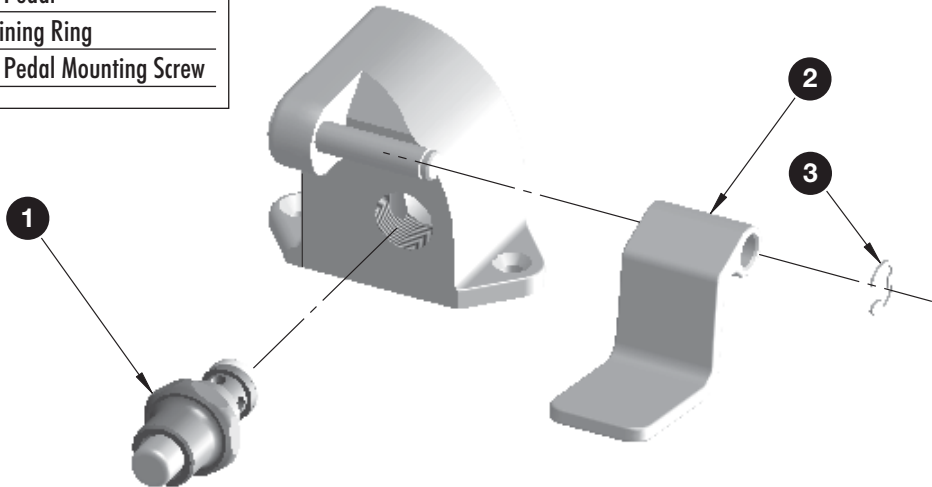
B-0502 and B-0507 Double or Single Foot Pedal Valves



No.	Part Number	Description
1	012512-45	Retaining Ring
2	000091-25	Cold Pedal
3	000092-25	Hot Pedal
4	005312-40	Bonnet Assembly
5	000915-45	Mounting Screw



No.	Part Number	Description
1	005312-40	Bonnet Assembly
2	000090-25	Foot Pedal
3	012512-45	Retaining Ring
4	003749-45	Foot Pedal Mounting Screw





RELIABILITY BUILT IN

B-0504 and B-0504-SL Double Foot Pedal Valves

Description

Wall mounted double foot pedal valve with extended pedals

Model

B-0504 Double Pedal Valve with Extended Pedals

Flow Rate

Unrestricted

Specifications

Chrome Plated Forged Brass Body, Wall Mounted Foot Pedal Valve with the following features:

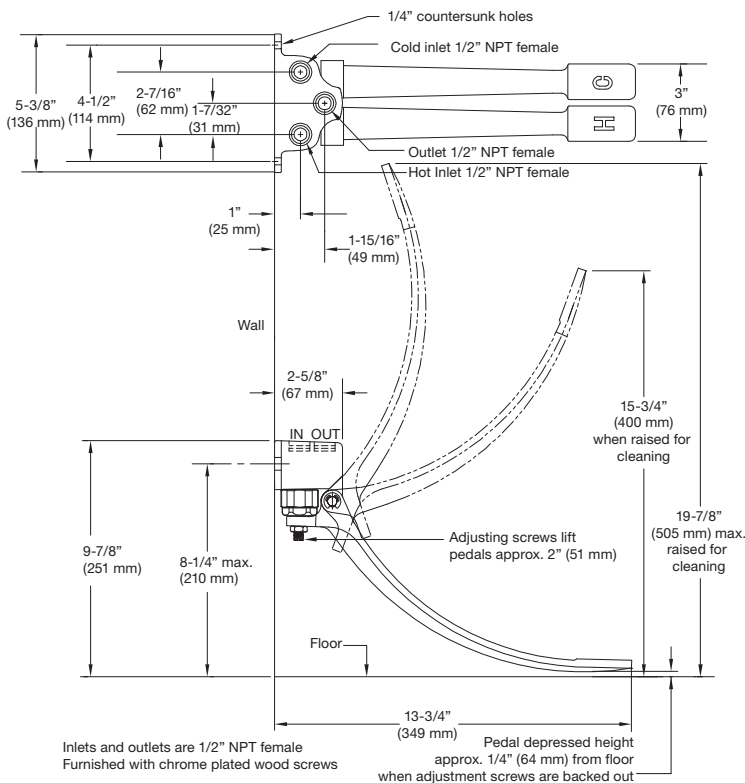
- 1/2" NPT female outlet
- 1/2" NPT female inlets
- Adjustable pedal positions
- Extended cast pedals
- Pedals lift for ease of cleaning
- Hot/Cold pedal identification
- Wood mounting screws provided

Variations

B-0504-SL Double Pedal Valve with Extended Pedals and Metering Cartridges (recommended for use with high water pressure or when hammer arrestors are not used)



Foot Pedal Dimensions



Features

- Extended pedals
- Chrome plated finish
- Wall mounted
- Forged brass construction
- Hot/cold pedal identification
- Pedals lift for ease of cleaning
- 1/2" NPT inlets and outlet

Compliant to:

- ASME A112.18.1M
- NSF 61, Sec. 9
- CSA B125
- ADA

Warranty

1 year (limited)

Made in the USA



This space for Architect/Engineer Approval

Job Name _____ Date _____

Model Specified _____ Quantity _____

Variations Specified _____

Customer/Wholesaler _____

Contractor _____

Architect _____

The information contained in this document is subject to change without notice.

T&S Brass and Bronze Works, Inc. • 2 Saddleback Cove, P.O. Box 1088 • Travelers Rest, SC 29690
Ph 864-834-4102 • Fax 864-834-3518 • www.tsbrass.com

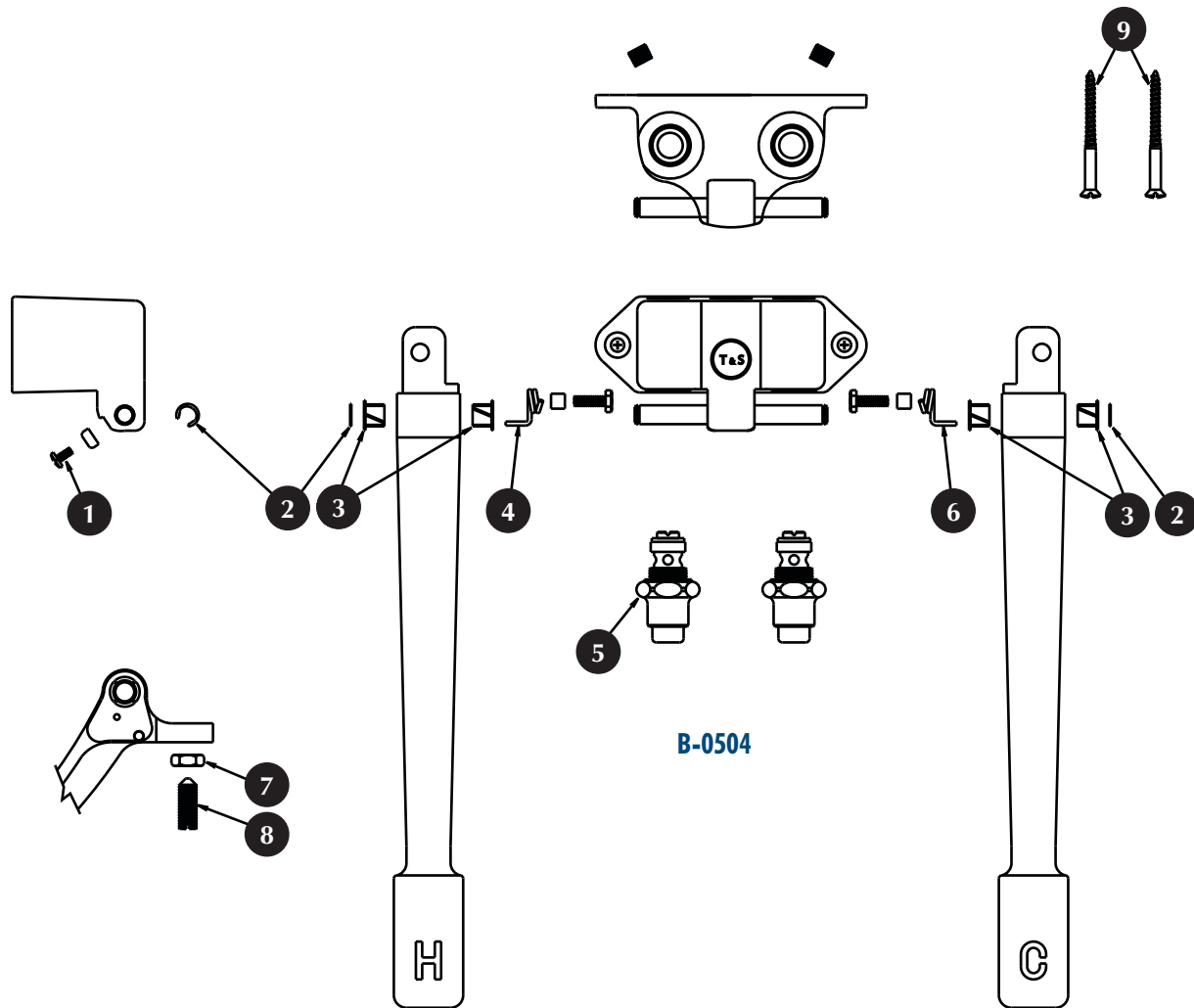
B-0504 and B-0504-SL Foot Pedal S.S. — Rev. 1 (7/08)

Copyright © 2008 T&S Brass and Bronze Works, Inc. Printed in the USA



RELIABILITY BUILT IN

B-0504 and B-0504-SL Double Foot Pedal Valves



No.	Part Number	Description
1	012523-45	Nylon Pad Screw
2	012512-45	Shaft Snap-Ring
3	001602-45	Bushing
4	000886-45	Spring, LH Pedal Hot
5	005312-40	Bonnet Asm
6	000887-45	Spring, RH Pedal Cold
7	000952-45	Adjustable Screw Lock Nut
8	001123-45	Adjustable Set Screw
9	003749-45	Wall Mounting Screw

T&S Brass and Bronze Works, Inc. • 2 Saddleback Cove, P.O. Box 1088 • Travelers Rest, SC 29690
Ph 864-834-4102 • Fax 864-834-3518 • www.tsbrass.com

B-0504 and B-0504-SL Foot Pedal S.S. — Rev. 1 (7/08)

Copyright © 2008 T&S Brass and Bronze Works, Inc. Printed in the USA



RELIABILITY BUILT IN

B-0575 "Wok Wand" Back Mounted Faucet

Description

Range back mounted faucet

Model

B-0575 Range Back Mounted Faucet

Flow Rate

Unrestricted

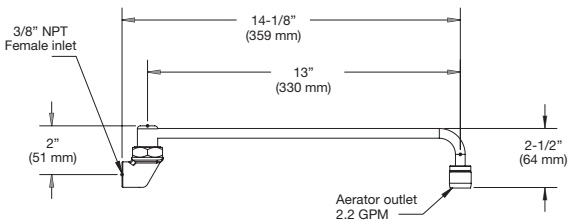
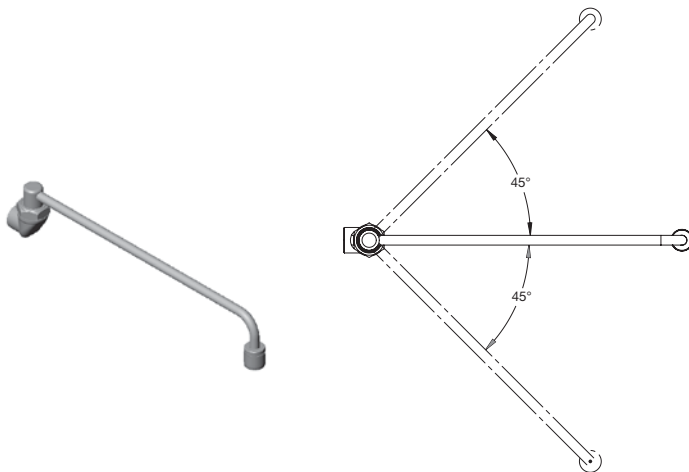
Specifications

Chrome Plated Body with the following features:

- For cold water only
- ON/OFF control activated when nozzle swings to left or right
- 13-3/4" nozzle with aerator
- 3/8" NPT female inlet
- Designed for heavy use in applications for oriental cooking



Faucet Dimensions



Features

- Range back mounted
- Chrome plated finish
- ON/OFF swing nozzle feature

Compliant to:

- ASME A112.18.1M
- NSF 61, Sec. 9
- CSA B125
- ADA

Warranty

1 year (limited)

Made in the USA



This space for Architect/Engineer Approval

Job Name _____ Date _____

Model Specified _____ Quantity _____

Variations Specified _____

Customer/Wholesaler _____

Contractor _____

Architect _____

The information contained in this document is subject to change without notice.

T&S Brass and Bronze Works, Inc. • 2 Saddleback Cove, P.O. Box 1088 • Travelers Rest, SC 29690
Ph 864-834-4102 • Fax 864-834-3518 • Web www.tsbrass.com

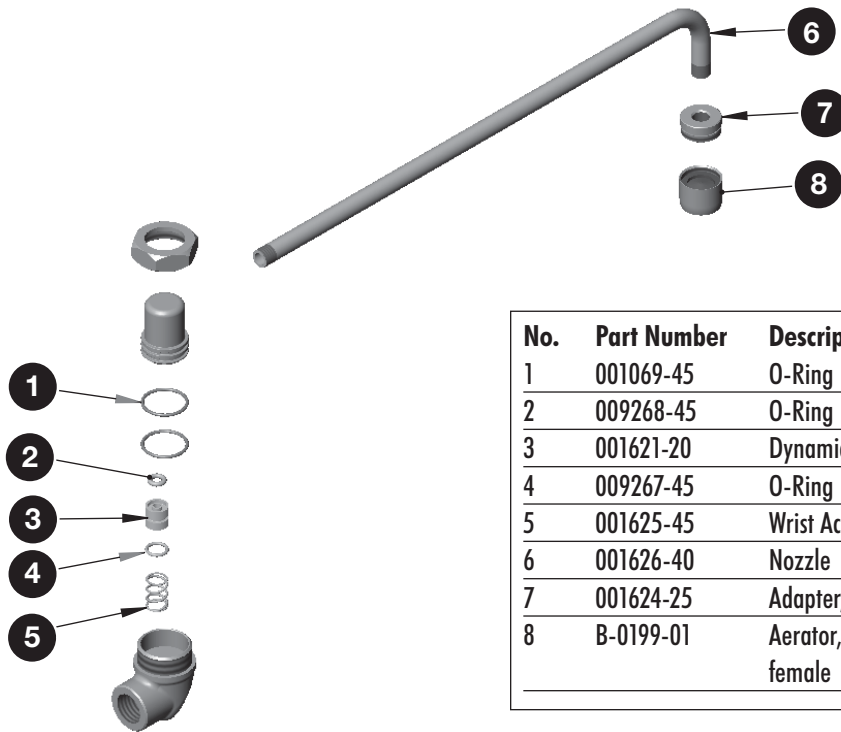
B-0575 Faucet S.S. — Rev. 0 (3/04)

Copyright © 2004 T&S Brass and Bronze Works, Inc. Printed in the USA



RELIABILITY BUILT IN

B-0575 "Wok Wand" Back Mounted Faucet



No.	Part Number	Description
1	001069-45	O-Ring
2	009268-45	O-Ring
3	001621-20	Dynamic Bearing
4	009267-45	O-Ring
5	001625-45	Wrist Action Return Ring
6	001626-40	Nozzle
7	001624-25	Adapter, 1/8" female
8	B-0199-01	Aerator, 2.2 GPM, 55/64-27 female

T&S Brass and Bronze Works, Inc. • 2 Saddleback Cove, P.O. Box 1088 • Travelers Rest, SC 29690
Ph 864-834-4102 • Fax 864-834-3518 • Web www.tsbrass.com

B-0575 Faucet S.S. — Rev. 0 (3/04)
Copyright © 2004 T&S Brass and Bronze Works, Inc. Printed in the USA



RELIABILITY BUILT IN

B-0580 and B-0592 Pot and Kettle Filling Faucets

Description

Pot and kettle filling faucet

Model

- B-0580 Pot and Kettle Filling Faucet
- B-0592 Pot and Kettle Filling Faucet

Flow Rate

- Unrestricted

Specifications

Chrome Plated Body, Wall Mounted Faucet with the following features:

- 1/2" NPT female inlet
- 18" double-joint nozzle
- Adjustable flange
- Insulated ON/OFF volume control grip on tip of nozzle (035A)

B-0580 has no control on faucet

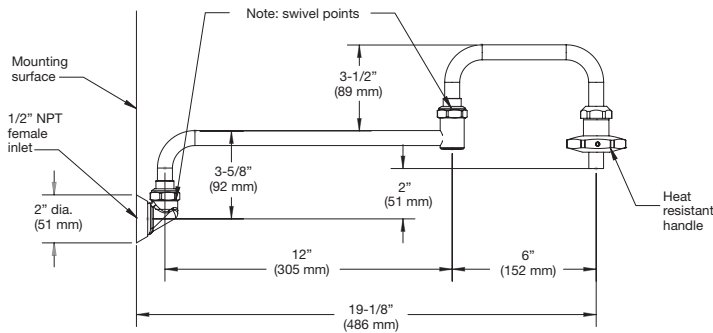
B-0592 includes a single control faucet body with four-arm handle

Notes:

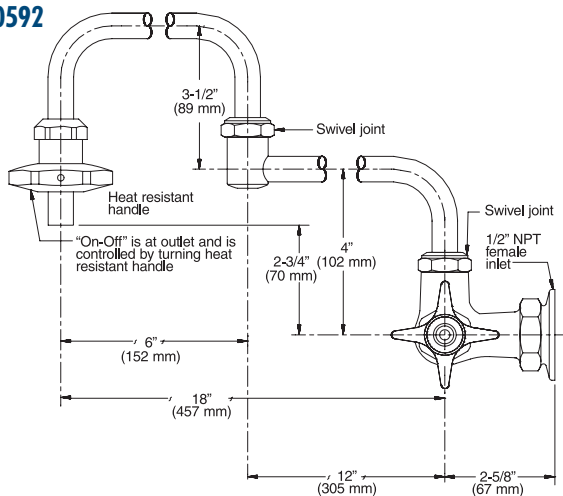
B-0580 – Stop valve should be installed in line

Faucet Dimensions

B-0580



B-0592



Features

- Chrome plated finish
- Wall mounted
- 1/2" NPT female inlet
- Double-joint nozzle with volume control grip on tip of nozzle

Compliant to:

- ASME A112.18.1M
- NSF 61, Sec. 9
- CSA B125

Warranty

1 year (limited)

Made in the USA



This space for Architect/Engineer Approval

Job Name _____	Date _____
Model Specified _____	Quantity _____
Variations Specified _____	
Customer/Wholesaler _____	
Contractor _____	
Architect _____	

The information contained in this document is subject to change without notice.

T&S Brass and Bronze Works, Inc. • 2 Saddleback Cove, P.O. Box 1088 • Travelers Rest, SC 29690
Ph 864-834-4102 • Fax 864-834-3518 • www.tsbrass.com

B-0580 and B-0592 Faucets S.S. – Rev. 1 (5/08)

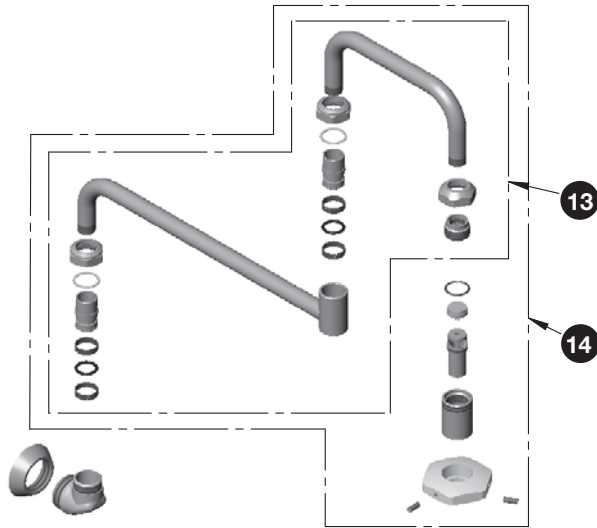
Copyright © 2008 T&S Brass and Bronze Works, Inc. Printed in the USA



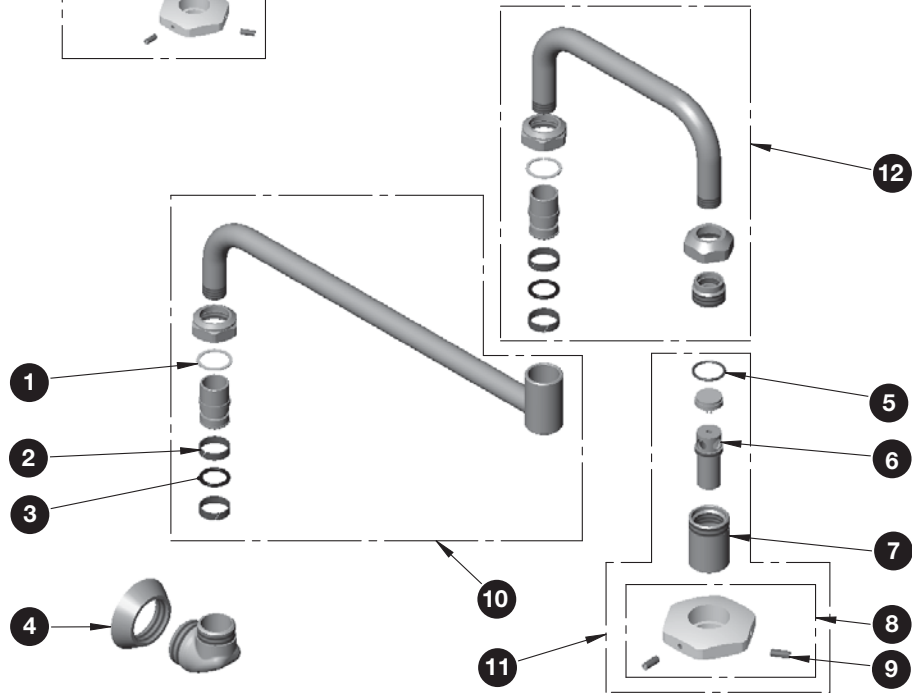
RELIABILITY BUILT IN

B-0580 and B-0592 Pot and Kettle Filling Faucets

No.	Part Number	Description
1	009538-45	Swivel Washer
2	011429-45	Swivel Sleeve
3	001074-45	O-Ring
4	000101-40	Flange
5	003426-45	O-Ring
6	001498-25	Spout
7	000587-25	Spout Body
8	001126-20	B-0580 Bakelite Handle 034X
9	000936-45	Handle Set Screw
10	046X	Back section Spout 12"
11	035A	Outlet Assembly
12	002870-40	Asm., Nozzle 6" Front section
13	068X	Double Joint Nozzle 18"
14	002848-40	Double Joint Nozzle Asm. 18"



B-0580



T&S Brass and Bronze Works, Inc. • 2 Saddleback Cove, P.O. Box 1088 • Travelers Rest, SC 29690
Ph 864-834-4102 • Fax 864-834-3518 • www.tsbrass.com

B-0580 and B-0592 Faucets S.S. — Rev. 1 (5/08)
Copyright © 2008 T&S Brass and Bronze Works, Inc. Printed in the USA



RELIABILITY BUILT IN

B-0605 and B-0610 Pot and Kettle Fillers

Description

Wall-mounted pot and kettle fillers with vacuum breaker, hook nozzle with self-closing valve and stainless steel hose

Model

- B-0605** Wall Mounted Pot and Kettle Filler with Single Control
- B-0610** Wall Mounted Pot and Kettle Filler with 8" Mixing Faucet

Flow Rate

- Unrestricted

Specifications

Chrome Plated Cast Brass Body, Wall Mounted Pot and Kettle Fillers with the following features:

- Vacuum breaker outlet (B-0968)
- B-0068-H stainless steel hose
- Hook nozzle with self-closing valve
- 1/2" NPT female inlet
- Hold-down ring for continuous flow of water
- Finger hook for nozzle storage when not in use

B-0605 includes single control with four-arm handle

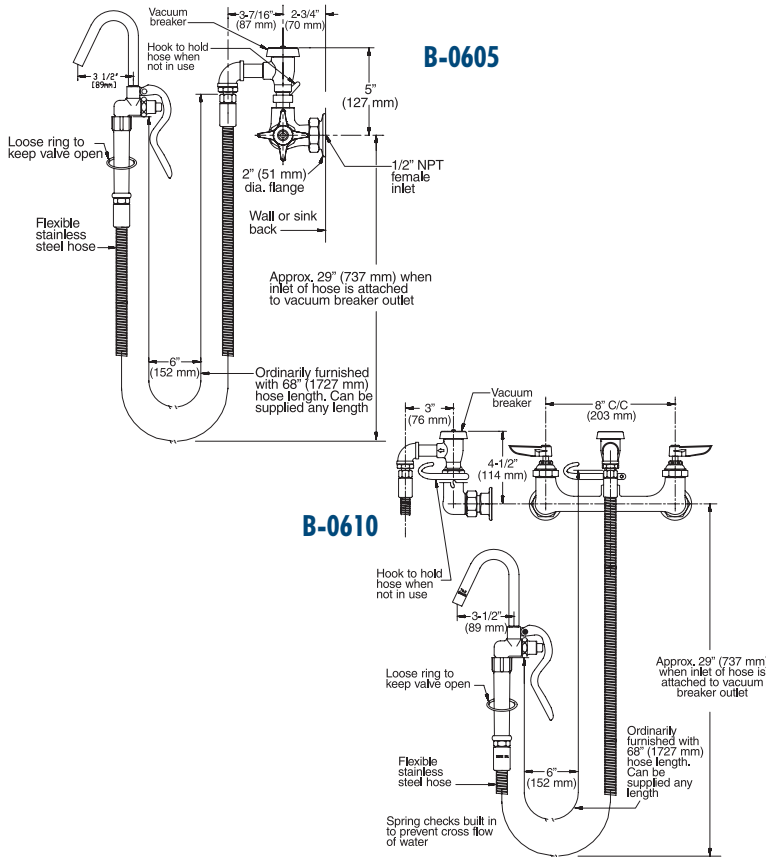
- Adjustable flange

B-0610 includes mixing faucet with 8" centers

- Built-in check valves to prevent crossflow of water
- Lever handles with color coded index buttons



Dimensions



Features

- Chrome plated brass construction
- Vacuum breaker
- Hook nozzle with self-closing valve
- B-0068-H stainless steel hose
- Hold-down ring

Compliant to:

- ASME A112.18.1M
- NSF 61, Sec. 9
- CSA B125

Warranty

1 year (limited)



This space for Architect/Engineer Approval

Job Name _____	Date _____
Model Specified _____	Quantity _____
Variations Specified _____	
Customer/Wholesaler _____	
Contractor _____	
Architect _____	

T&S Brass and Bronze Works, Inc. • 2 Saddleback Cove, P.O. Box 1088 • Travelers Rest, SC 29690
Ph 864-834-4102 • Fax 864-834-3518 • www.tsbrass.com

B-0605 and B-0610 Pot and Kettle Fillers S.S. — Rev. 1 (7/08)

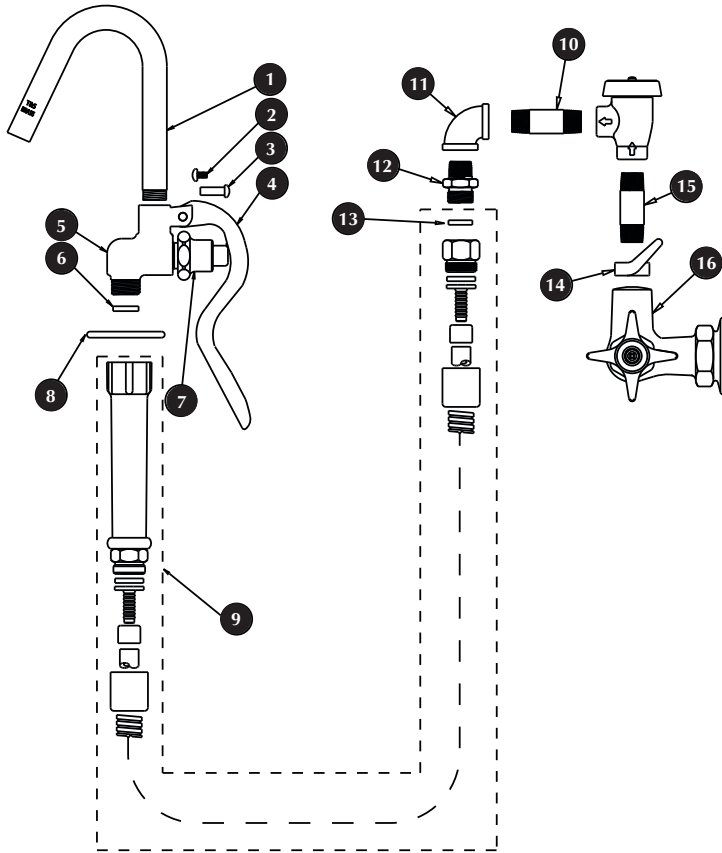
Copyright © 2008 T&S Brass and Bronze Works, Inc. Printed in the USA

The information contained in this document is subject to change without notice.



RELIABILITY BUILT IN

B-0605 and B-0610 Pot and Kettle Fillers

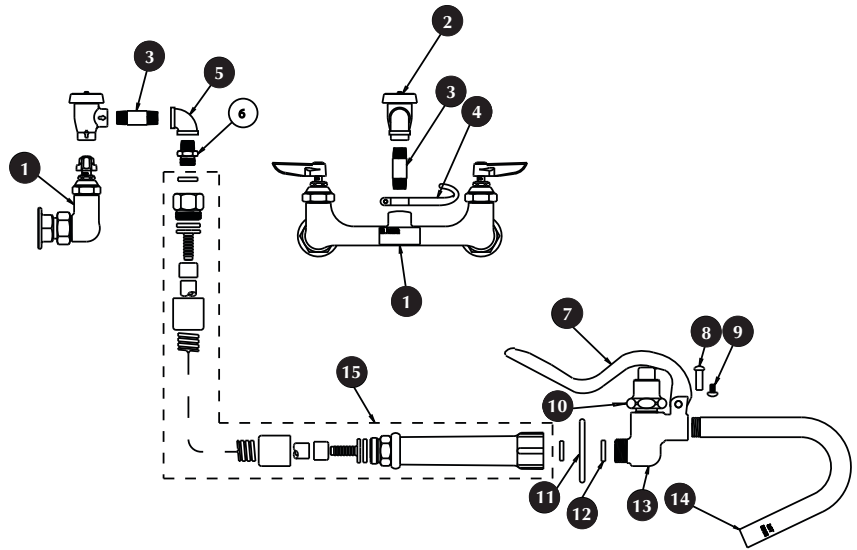


B-0605

No.	Part Number	Description
1	000287-40	Nozzle
2	003199-45	Handle Screw
3	003198-45	Handle Nut
4	001120-45	Squeeze Valve Handle
5	000065-40	Squeeze Valve Body
6	010476-45	Washer
7	002856-40	Bonnet Asm
8	000907-45	Hold-down Ring
9	B-0068-H	Asm, Hose, S/S, 68"
10	000357-40	Nipple, 3/8" x 2"
11	001355-40	Cast Round Elbow
12	000545-25	Adapter, 3/8" Male x 3/4"-14 Male
13	010476-45	Washer
14	000021-40	Finger Hook
15	000357-40	Nipple, 3/8" x 2"
16	B-0310-LN	Asm, Base Faucet

No.	Part Number	Description
1	002832-40	Base Faucet Asm
2	B-0968	Vacuum Breaker Asm
3	000021-40	Finger Hook
4	000357-40	Nipple
5	001355-40	Cast Round elbow
6	000545-25	Adapter
7	001120-45	Handle
8	003198-45	Handle Nut
9	003199-45	Handle Screw
10	002856-40	Bonnet Asm
11	000907-45	Hold-down Ring
12	010476-45	Washer
13	000065-40	Squeeze Valve Body
14	000287-40	Nozzle
15	B-0068-H	Asm, Hose, S/S, 68"

B-0610



T&S Brass and Bronze Works, Inc. • 2 Saddleback Cove, P.O. Box 1088 • Travelers Rest, SC 29690
Ph 864-834-4102 • Fax 864-834-3518 • www.tsbrass.com

B-0605 and B-0610 Pot and Kettle Fillers S.S. – Rev. 1 (7/08)
Copyright © 2008 T&S Brass and Bronze Works, Inc. Printed in the USA



RELIABILITY BUILT IN

B-0665-BSTP Wall-Mounted Service Sink Faucet

Description

Wall-mounted, two handle service sink faucet with built-in stops, vacuum breaker spout, pail hook and lever handles

Model

B-0665-BSTP Wall Mounted Service Sink Faucet, Polished Chrome Finish

Flow Rate

Unrestricted

Specifications

Chrome Plated Cast Brass Body, Wall Mounted Service Sink Faucet with the following features:

- Faucet inlets adjustable from 7-3/4" (197 mm) to 8-1/4" (210 mm)
- Vacuum breaker spout
- 3/4" garden hose outlet
- 2" (51 mm) inlet flanges
- Built-in screwdriver stops
- Lever handles with color coded index buttons
- Furnished with two (2) #12 wood screws for mounting
- Pail hook
- Top support wall brace
- 1/2" NPT female inlets

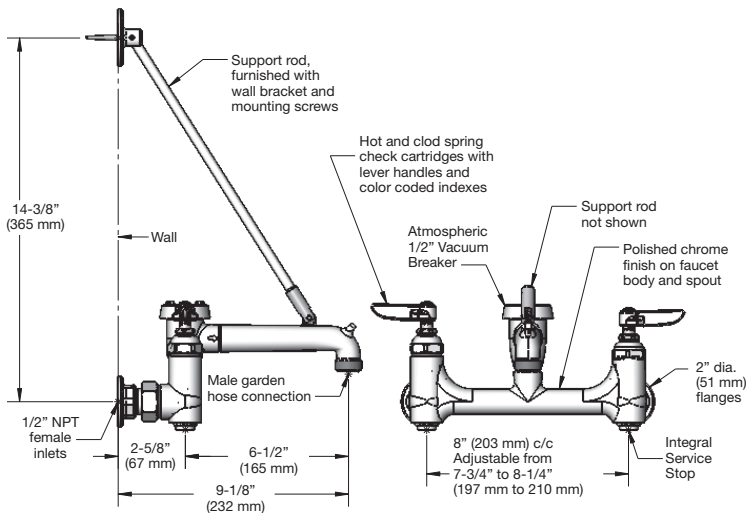
Variations

- B-0665-BSTR** Same as B-0665-BSTP except rough chrome plated
- B-0665-RGH** Same as B-0665-BSTR except without built-in stops

Notes:

Ceramic cartridges available as modification – add "-CD" to model number
Alternate handles available upon request – see pages 93-94 for options

Faucet Dimensions



Features

- Brass construction
- Built-in stops
- Adjustable 8" (203 mm) centers
- Polished chrome plated finish
- Vacuum breaker nozzle
- Wall brace
- Pail hook
- Garden hose connection
- Lever handles with color coded index buttons

Compliant to:

- ASME A112.18.1M
- NSF 61, Sec. 9
- CSA B125
- ADA

Warranty

1 year (limited)



This space for Architect/Engineer Approval

Job Name _____	Date _____
Model Specified _____	Quantity _____
Variations Specified _____	
Customer/Wholesaler _____	
Contractor _____	
Architect _____	

The information contained in this document is subject to change without notice.

T&S Brass and Bronze Works, Inc. • 2 Saddleback Cove, P.O. Box 1088 • Travelers Rest, SC 29690
Ph 864-834-4102 • Fax 864-834-3518 • www.tsbrass.com

B-0665-BSTP Faucet S.S. – Rev. 1 (5/08)

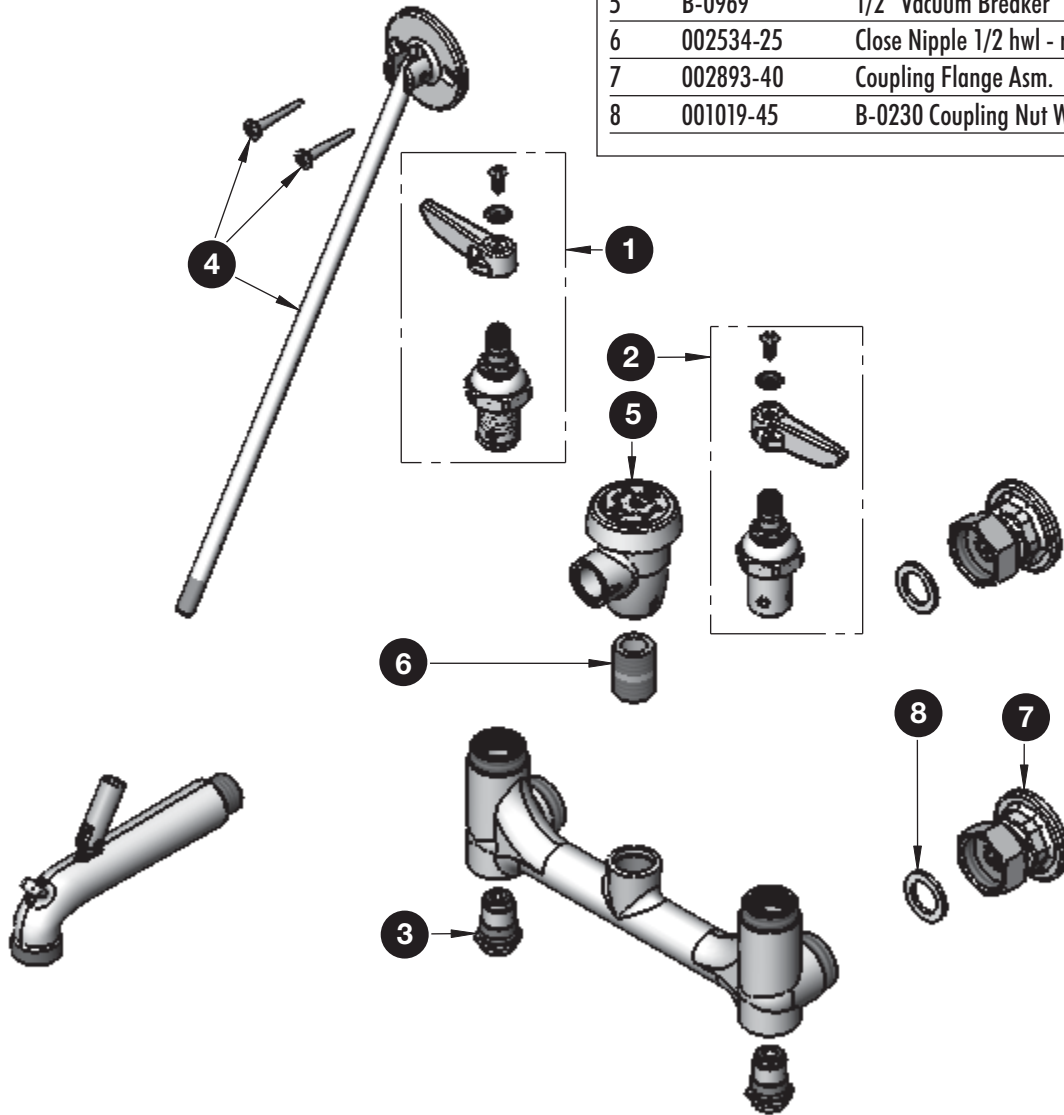
Copyright © 2008 T&S Brass and Bronze Works, Inc. Printed in the USA



RELIABILITY BUILT IN

B-0665-BSTP Wall-Mounted Service Sink Faucet

No.	Part Number	Description
1	002712-40	Eterna Spindle Asm., Hot
2	002711-40	Eterna Spindle Asm., Cold
3	163A	-BST Asm. 163A
4	009546-40	Upper Support Rod Asm.
5	B-0969	1/2" Vacuum Breaker
6	002534-25	Close Nipple 1/2 hwl - rough chrome
7	002893-40	Coupling Flange Asm.
8	001019-45	B-0230 Coupling Nut Washer



T&S Brass and Bronze Works, Inc. • 2 Saddleback Cove, P.O. Box 1088 • Travelers Rest, SC 29690
Ph 864-834-4102 • Fax 864-834-3518 • www.tsbrass.com

B-0665-BSTP Faucet S.S. – Rev. 1 (5/08)

Copyright © 2008 T&S Brass and Bronze Works, Inc. Printed in the USA



RELIABILITY BUILT IN

B-0950 Flexible Stainless Steel Hose and Self-Closing Spray Valve

Description

Pre-rinse angle self-closing spray valve with stainless steel hose and hold-down ring

Model

- ☐ **B-0950** Flexible Stainless Steel Hose with Self-Closing Angle Spray Valve

Flow Rate

- ☐ 1.42 gpm @60 psi

Specifications

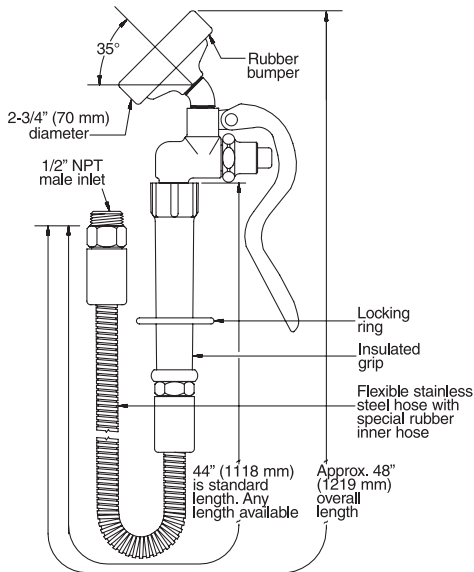
Chrome Plated Cast Brass Body Spray Valve with the following features:

- Angle spray valve (002853-40)
- 3 ft. flexible stainless steel hose (B-0044-H)
- Automatic shut-off valve
- Hold-down ring for continuous flow of water
- 1/2" NPT male inlet
- Designed for heavy use in industrial kitchens
- 48" overall length

Notes:

Various length hoses available – see Hose Chart on p. 95

Dimensions



Features

- Chrome plated brass construction
- Automatic shut-off angle spray valve
- Hold-down ring for continuous flow of water
- B-0044-H stainless steel hose

Compliant to:

- ASME A112.18.1M
- NSF 61, Sec. 9
- CSA B125
- EPA Act 2005

Warranty

1 year (limited)



T&S Brass and Bronze Works, Inc. • 2 Saddleback Cove, P.O. Box 1088 • Travelers Rest, SC 29690
Ph 864-834-4102 • Fax 864-834-3518 • www.tsbrass.com

B-0950 Pre-Rinse Spray Valve Assembly S.S. – Rev. 1 (7/08)
Copyright © 2008 T&S Brass and Bronze Works, Inc. Printed in the USA

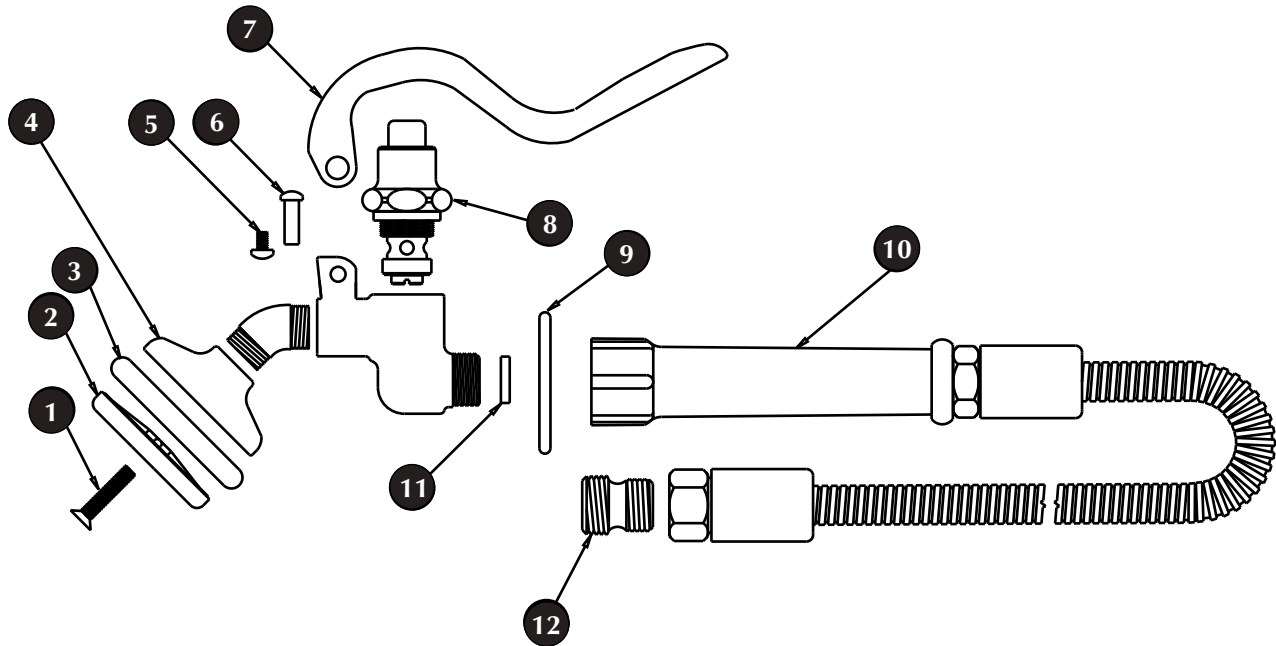
This space for Architect/Engineer Approval	
Job Name _____	Date _____
Model Specified _____	Quantity _____
Variations Specified _____	
Customer/Wholesaler _____	
Contractor _____	
Architect _____	

The information contained in this document is subject to change without notice.



RELIABILITY BUILT IN

B-0950 Flexible Stainless Steel Hose and Self-Closing Spray Valve



No.	Part Number	Description
1	000913-40	Spray Face Screw
2	009845-45	Spray Face
3	009848-45	Rubber Ring
4	000019-40	Spray Cup
5	003199-45	Handle Screw
6	003198-45	Handle Nut
7	001120-45	Squeeze Valve Handle
8	002856-40	Bonnet Assembly
9	000907-45	Hold Down Ring
10	002987-40	Hose Handle Asm.
11	010476-45	Hose Washer
12	000547-25	Adapter, 1/2" male x 3/4"-14 male

T&S Brass and Bronze Works, Inc. • 2 Saddleback Cove, P.O. Box 1088 • Travelers Rest, SC 29690
Ph 864-834-4102 • Fax 864-834-3518 • www.tsbrass.com

B-0950 Pre-Rinse Spray Valve Assembly S.S. — Rev. 1 (7/08)
Copyright © 2008 T&S Brass and Bronze Works, Inc. Printed in the USA



RELIABILITY BUILT IN

B-1115 and B-1146 4" Workboard Faucets

Description

Splashback mounted 4" workboard faucet with swing nozzle (B-1115) or swivel gooseneck (B-1146), escutcheon and lever handles

Models

- B-1115** Splashback Mounted 4" Workboard Faucet with Swing Nozzle
- B-1146** Splashback Mounted 4" Workboard Faucet with Swivel Gooseneck

Flow Rate

- Unrestricted

Specifications

Chrome Plated Forged Brass Body, Splashback Mounted Workboard Faucet with the following features:

- Removable seats
- Chrome plated escutcheon
- 4" centers
- 1" shanks
- 1/2" NPT male shanks

• Lever handles with color coded index buttons

B-1115 includes 6" swing nozzle (059X)

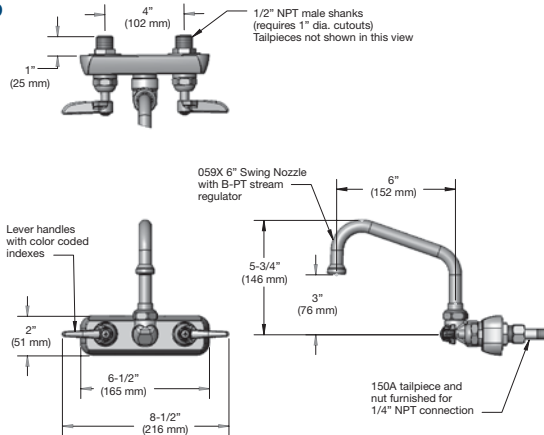
B-1146 includes swivel gooseneck (133X)

Notes:

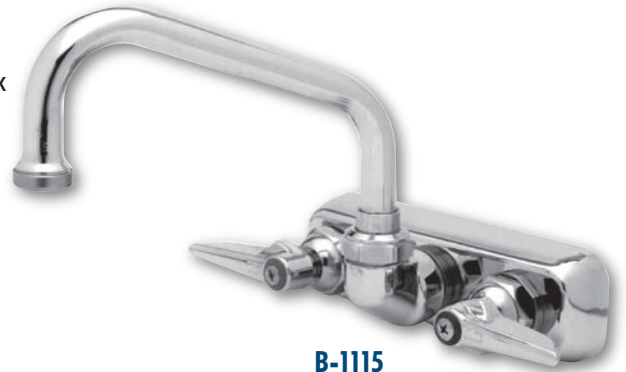
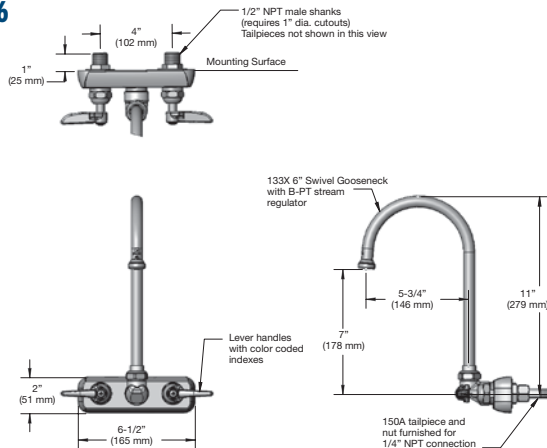
Alternate handles available upon request – see pages 93-94 for options
B-1100-K Elbow Installation Kit sold separately

Faucet Dimensions

B-1115



B-1146



B-1115

Features

- Forged brass body
- Chrome plated finish
- Swing nozzle (B-1115)
- Swivel gooseneck (B-1146)
- Lever handles with color coded index buttons
- Mounting hardware included

Compliant to:

- ASME A112.18.1M
- NSF 61, Sec. 9
- CSA B125

Warranty

1 year (limited)

Made in the USA



This space for Architect/Engineer Approval

Job Name _____ Date _____

Model Specified _____ Quantity _____

Variations Specified _____

Customer/Wholesaler _____

Contractor _____

Architect _____

T&S Brass and Bronze Works, Inc. • 2 Saddleback Cove, P.O. Box 1088 • Travelers Rest, SC 29690
Ph 864-834-4102 • Fax 864-834-3518 • Web www.tsbrass.com

B-1115 and B-1146 Workboard Faucets S.S. – Rev. 1 (5/08)

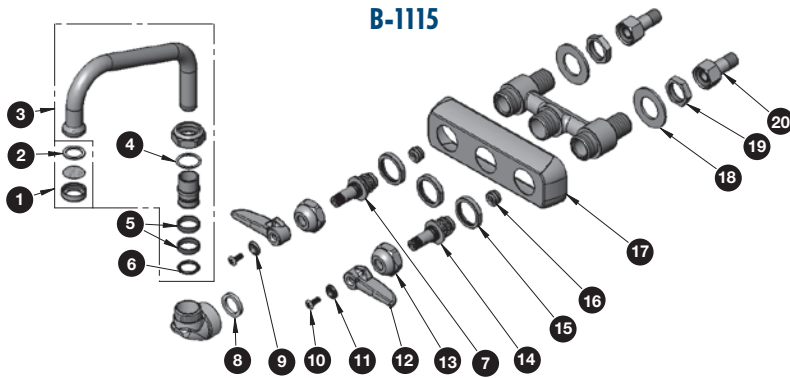
Copyright © 2008 T&S Brass and Bronze Works, Inc. Printed in the USA

The information contained in this document is subject to change without notice.



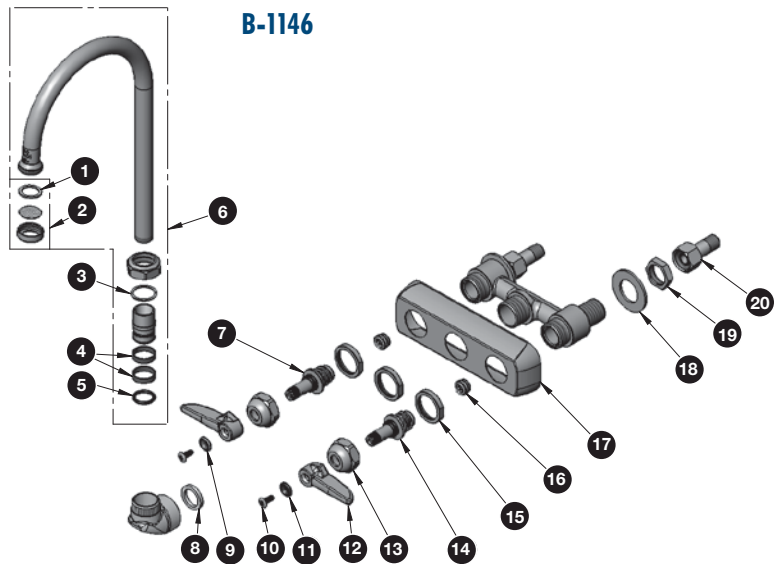
RELIABILITY BUILT IN

B-1115 and B-1146 4" Workboard Faucets



No.	Part Number	Description
1	B-PT	Stream Regulator
2	009638-45	Washer
3	059X	6" Swing Nozzle Asm.
4	009538-45	Swivel Washer
5	011429-45	Swivel Sleeves (2)
6	001074-45	O-Ring
7	009753-40	B-1100 RH Spindle Asm.
8	009623-45	Washer
9	001661-45	Red Index - HW
10	000922-45	Lever Handle Screw
11	001660-45	Blue Index - CW
12	001638-45	Lever Handle
13	009749-25	Bonnet Nut
14	009754-40	B-1100 LH Spindle Asm.
15	000712-25	Escutcheon Lock Nut
16	000763-20	Seat
17	001258-40	B-1110 Escutcheon
18	000999-45	Brass Lock Washer
19	002954-45	Shank Lock Nut
20	150A	Bag of (1) Nut and (1) tailpiece

No.	Part Number	Description
1	009638-45	Washer
2	B-PT	Stream Regulator
3	009538-45	Swivel Washer
4	011429-45	Swivel Sleeves(2)
5	001074-45	O-Ring
6	133X	6" Swivel Gooseneck
7	009753-40	B-1100 RH Spindle Asm.
8	009623-45	Washer
9	001661-45	Red Index - HW
10	000922-45	Lever Handle Screw
11	001660-45	Blue Index - CW
12	001638-45	Lever Handle
13	009749-25	Bonnet Nut
14	009754-40	B-1100 LH Spindle Asm.
15	000712-25	Escutcheon Lock Nut
16	000763-20	Seat
17	001258-40	B-1110 Escutcheon
18	000999-45	Brass Lock Washer
19	002954-45	Shank Lock Nut
20	150A	Bag of (1) Nut and (1) tailpiece



T&S Brass and Bronze Works, Inc. • 2 Saddleback Cove, P.O. Box 1088 • Travelers Rest, SC 29690
Ph 864-834-4102 • Fax 864-834-3518 • Web www.tsbrass.com

B-1115 and B-1146 Workboard Faucets S.S. — Rev. 1 (5/08)
Copyright © 2008 T&S Brass and Bronze Works, Inc. Printed in the USA



RELIABILITY BUILT IN

B-1120 8" Workboard Faucet

Description

8" Deck mounted workboard faucet with swing nozzle, escutcheon and lever handles

Model

B-1120 Deck-Mounted Workboard Faucet

Flow Rate

Unrestricted

Specifications

Deck Mounted Faucet Body with the following features:

- 8" centers
- Removable seats
- 6" swing nozzle (059X)
- Chrome plated escutcheon
- 1/2" NPT male shanks
- 1" shanks
- Lever handles with color coded index buttons

Variations

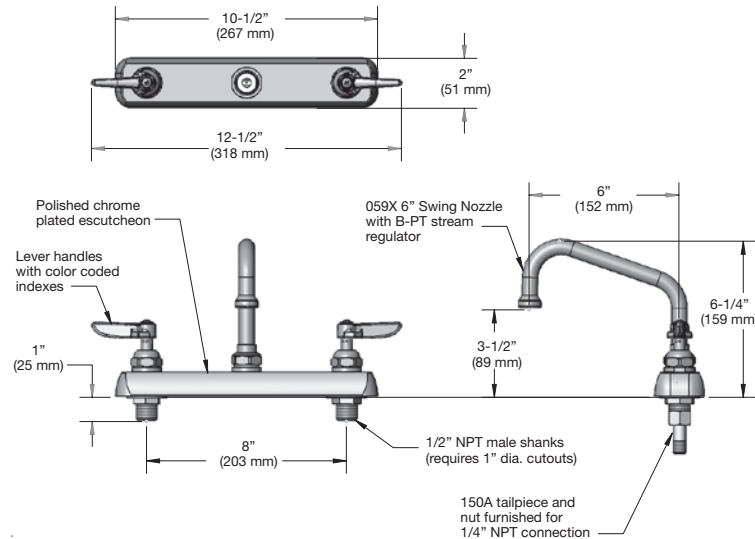
- B-1121** Same as B-1120 except with 8" swing nozzle (060X)
- B-1123** Same as B-1120 except with 12" swing nozzle (062X)

Notes:

Alternate handles available upon request – see pages 93-94 for options



Faucet Dimensions



Features

- Chrome plated escutcheon
- Deck mounted faucet with 8" centers
- Swing nozzle
- Lever handles with color coded indexes

Compliant to:

- ASME A112.18.1M
- NSF 61, Sec. 9
- CSA B125

Warranty

1 year (limited)



This space for Architect/Engineer Approval

Job Name _____	Date _____
Model Specified _____	Quantity _____
Variations Specified _____	
Customer/Wholesaler _____	
Contractor _____	
Architect _____	

The information contained in this document is subject to change without notice.

T&S Brass and Bronze Works, Inc. • 2 Saddleback Cove, P.O. Box 1088 • Travelers Rest, SC 29690
Ph 864-834-4102 • Fax 864-834-3518 • www.tsbrass.com

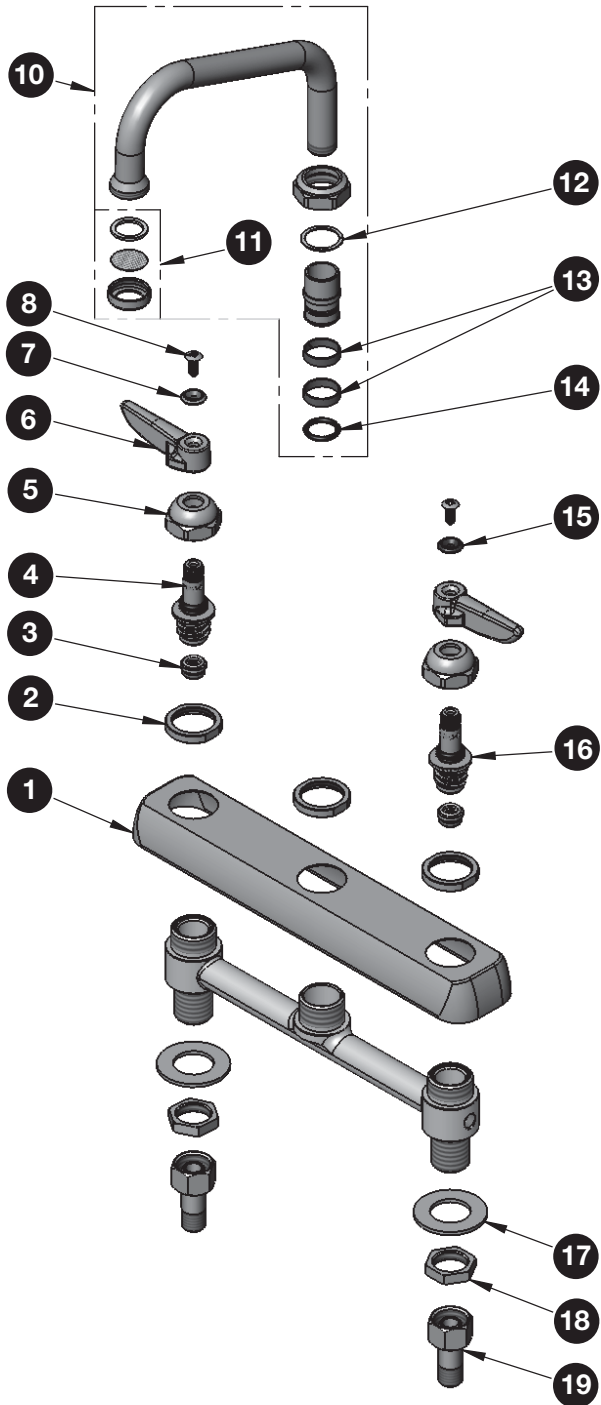
B-1120 Workboard Faucet S.S. – Rev. 1 (5/08)

Copyright © 2008 T&S Brass and Bronze Works, Inc. Printed in the USA



RELIABILITY BUILT IN

B-1120 8" Workboard Faucet



No.	Part Number	Description
1	001259-40	Escutcheon
2	000712-25	Escutcheon Lock Nut
3	000763-20	Seat
4	009753-40	B-1100 RH Spindle Asm.
5	009749-25	Bonnet Nut
6	001638-45	Lever Handle
7	001661-45	Red Index - HW
8	000922-45	Lever Handle Screw
10	059X	6" Swing Nozzle Asm.
11	B-PT	Stream Regulator
12	009538-45	Swivel Washer
13	011429-45	Swivel Sleeves (2)
14	001074-45	O-Ring
15	001660-45	Blue Index - CW
16	009754-40	B-1100 LH Spindle Asm.
17	000999-45	Brass Lock Washer
18	002954-45	Shank Lock Nut
19	150A	Bag of (1) Nut and (1) tailpiece

T&S Brass and Bronze Works, Inc. • 2 Saddleback Cove, P.O. Box 1088 • Travelers Rest, SC 29690
Ph 864-834-4102 • Fax 864-834-3518 • www.tsbrass.com

B-1120 Workboard Faucet S.S. — Rev. 1 (5/08)

Copyright © 2008 T&S Brass and Bronze Works, Inc. Printed in the USA



RELIABILITY BUILT IN

B-1110 and B-1141 4" Workboard Faucets

Description

4" Deck mounted workboard faucets with swing nozzle (B-1110) or swivel gooseneck (B-1141), escutcheon and lever handles

Model

- B-1110** Deck Mounted Workboard Faucet with Swing Nozzle
- B-1141** Deck Mounted Workboard Faucet with Swivel Gooseneck

Flow Rate

- Unrestricted

Specifications

Deck Mounted Workboard Faucet with the following features:

- 4" centers
- Chrome plated escutcheon
- 1" shanks
- Lever handles with color coded index buttons
- Removable seats
- 1/2" NPT male shanks

B-1110 includes 6" swing nozzle (059X)

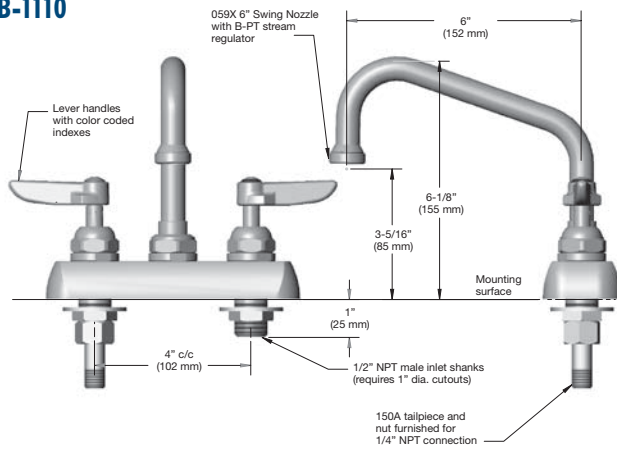
B-1141 includes swivel gooseneck (133X)

Notes:

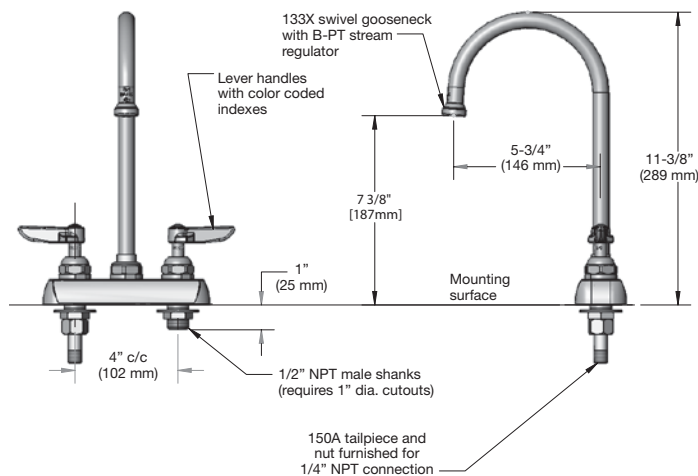
Alternate handles available upon request – see pages 93-94 for options

Faucet Dimensions

B-1110



B-1141



B-1110

Features

- Chrome plated escutcheon
- Deck mounted faucet with 4" centers
- Swing nozzle (B-1110) or swivel gooseneck (B-1141)
- Lever handles with color coded indexes

Compliant to:

- ASME A112.18.1M
- NSF 61, Sec. 9
- CSA B125

Warranty

1 year (limited)



This space for Architect/Engineer Approval

Job Name _____ Date _____

Model Specified _____ Quantity _____

Variations Specified _____

Customer/Wholesaler _____

Contractor _____

Architect _____

T&S Brass and Bronze Works, Inc. • 2 Saddleback Cove, P.O. Box 1088 • Travelers Rest, SC 29690
Ph 864-834-4102 • Fax 864-834-3518 • www.tsbrass.com

B-1110 and B-1141 Faucets S.S. – Rev. 1 (5/08)

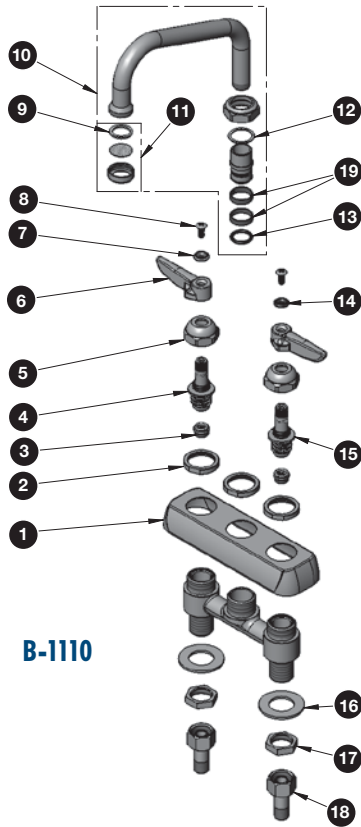
Copyright © 2008 T&S Brass and Bronze Works, Inc. Printed in the USA

The information contained in this document is subject to change without notice.



RELIABILITY BUILT IN

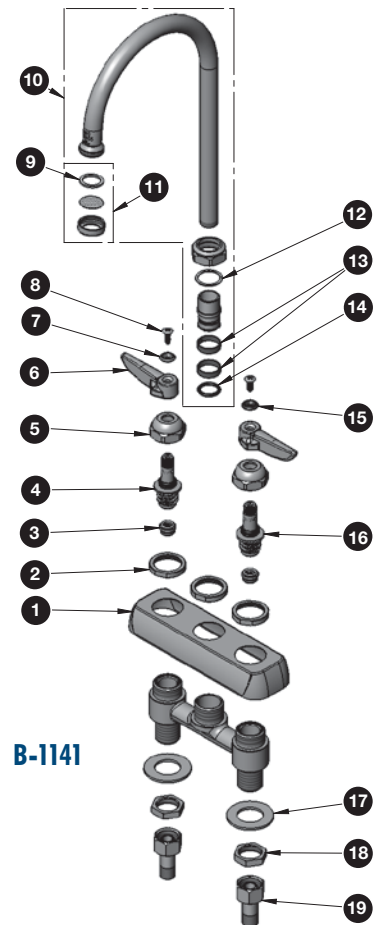
B-1110 and B-1141 4" Workboard Faucets



B-1110

No.	Part Number	Description
1	001258-40	B-1110 Escutcheon
2	000712-25	Escutcheon Lock Nut
3	000763-20	Seat
4	009753-40	B-1100 RH Spindle Asm.
5	009749-25	Bonnet Nut
6	001638-45	Lever Handle
7	001661-45	Red Index - HW
8	000922-45	Lever Handle Screw
9	009638-45	Washer
10	059X	6" Swing Nozzle Asm.
11	B-PT	Stream Regulator
12	009538-45	Washer
13	001074-45	O-Ring
14	001660-45	Blue Index - CW
15	009754-40	B-1100 LH Spindle Asm.
16	000999-45	Brass Lock Washer
17	002954-45	Shank Lock Nut
18	150A	Bag of (1) Nut and (1) tailpiece
19	011429-45	Swivel Sleeves (2)

No.	Part Number	Description
1	001258-40	B-1110 Escutcheon
2	000712-25	Escutcheon Lock Nut
3	000763-20	Seat
4	009753-40	B-1100 RH Spindle Asm.
5	009749-25	Bonnet Nut
6	001638-45	Lever Handle
7	001661-45	Red Index - HW
8	000922-45	Lever Handle Screw
9	009638-45	Washer
10	133X	12" Swing Nozzle Asm.
11	B-PT	Stream Regulator
12	009538-45	Swivel Washer
13	011429-45	Swivel Sleeves (2)
14	001074-45	O-Ring
15	001660-45	Blue Index - CW
16	009754-40	B-1100 LH Spindle Asm.
17	000999-45	Brass Lock Washer
18	002954-45	Shank Lock Nut
19	150A	Bag of (1) Nut and (1) tailpiece



B-1141

T&S Brass and Bronze Works, Inc. • 2 Saddleback Cove, P.O. Box 1088 • Travelers Rest, SC 29690
Ph 864-834-4102 • Fax 864-834-3518 • www.tsbrass.com

B-1110 and B-1141 Faucets S.S. — Rev. 1 (5/08)

Copyright © 2008 T&S Brass and Bronze Works, Inc. Printed in the USA



RELIABILITY BUILT IN

B-1200 and B-1205 Push Back Glass Fillers

Description

Push back glass fillers with volume regulator and push back arm

Model

- B-1200** Push Back Glass Filler with Adjustable Flange
- B-1205** Push Back Glass Filler with Male Inlet

Flow Rate

- Unrestricted

Specifications

Push Back Glass Fillers with the following features:

- Wall mounted
- Volume regulator
- Chrome plated body
- Translucent blue push back arm
- Instantaneous shut-off

B-1200 has adjustable flange and 3/8" NPT female inlet

B-1205 has 3/8" NPT male inlet



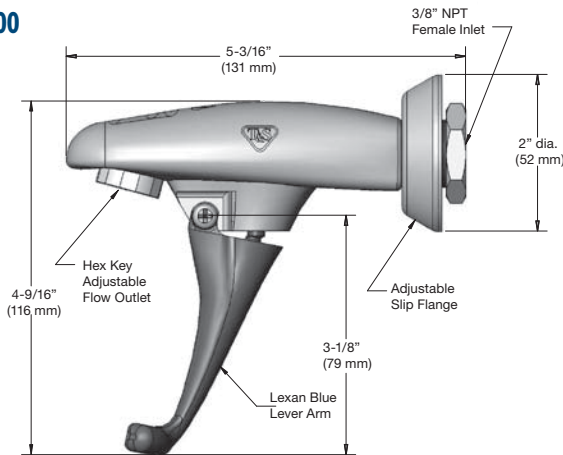
B-1200



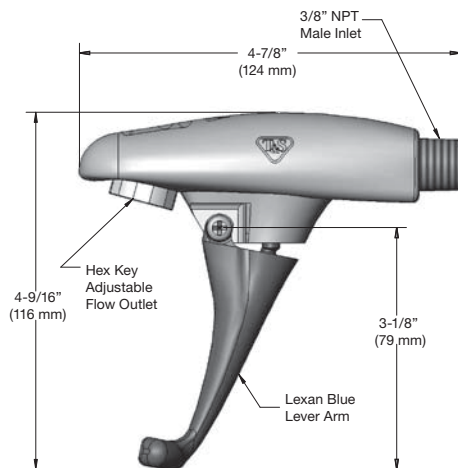
B-1205

Glass Filler Dimensions

B-1200



B-1205



Features

- Chrome plated body
- Wall mounted
- Volume regulator
- Translucent push back arm
- Instantaneous shut-off

Compliant to:

- ASME A112.18.1M
- NSF 61, Sec. 9
- CSA B125

Warranty

1 year (limited)



This space for Architect/Engineer Approval

Job Name _____	Date _____
Model Specified _____	Quantity _____
Variations Specified _____	
Customer/Wholesaler _____	
Contractor _____	
Architect _____	

The information contained in this document is subject to change without notice.

T&S Brass and Bronze Works, Inc. • 2 Saddleback Cove, P.O. Box 1088 • Travelers Rest, SC 29690
Ph 864-834-4102 • Fax 864-834-3518 • www.tsbrass.com

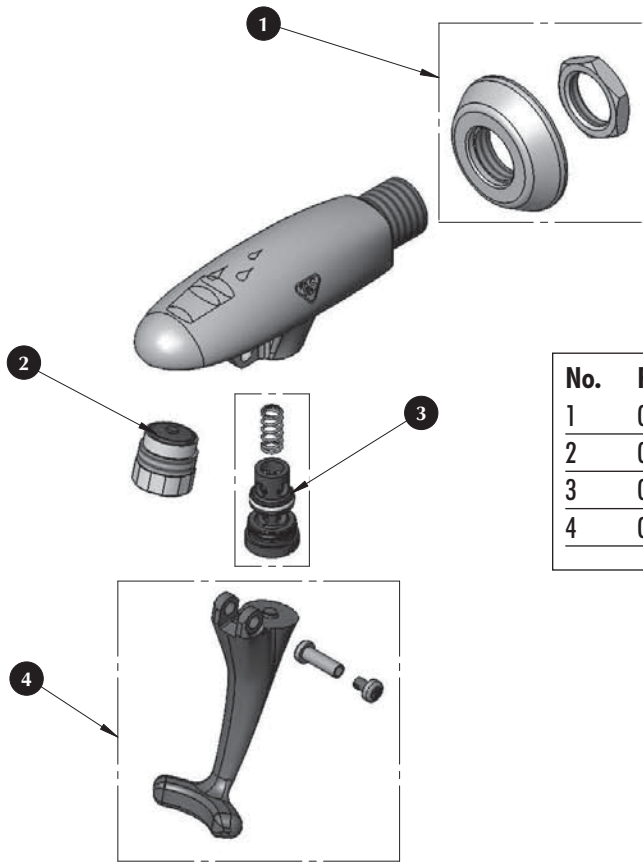
B-1200 and B-1205 Glass Fillers S.S. – Rev. 1 (7/08)

Copyright © 2008 T&S Brass and Bronze Works, Inc. Printed in the USA

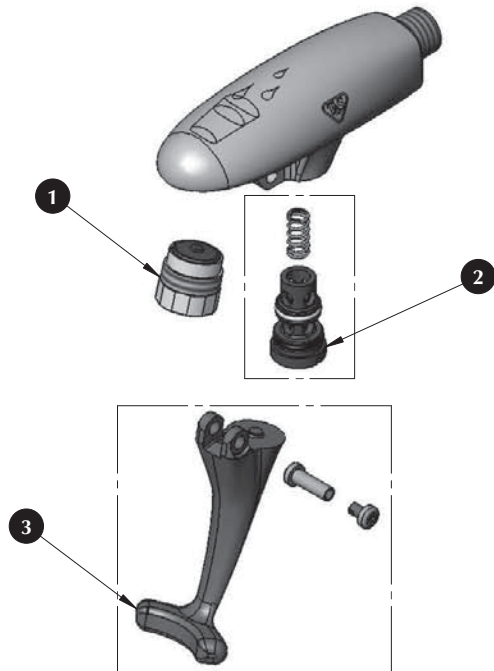


RELIABILITY BUILT IN

**B-1200 and B-1205
Push Back Glass Fillers**



No.	Part Number	Description
1	016782-40	Adjustable Wall Flange
2	015588-40	Adjustable Outlet with Hex Key
3	015589-40	Valve Asm.
4	015550-40	Lever Arm Repair Kit



No.	Part Number	Description
1	015588-40	Adjustable Outlet with Hex Key
2	015589-40	Valve Asm.
3	015550-40	Lever Arm Repair Kit

T&S Brass and Bronze Works, Inc. • 2 Saddleback Cove, P.O. Box 1088 • Travelers Rest, SC 29690
Ph 864-834-4102 • Fax 864-834-3518 • www.tsbrass.com

B-1200 and B-1205 Glass Fillers S.S. — Rev.1 (7/08)
Copyright © 2008 T&S Brass and Bronze Works, Inc. Printed in the USA



Description

Deck mounted pedestal push back single glass filler

Models

- B-1210** Pedestal Push Back Single Glass Filler

Flow Rate

- Unrestricted

Specifications

Deck Mounted Pedestal Single Push Back Glass Filler with the following features:

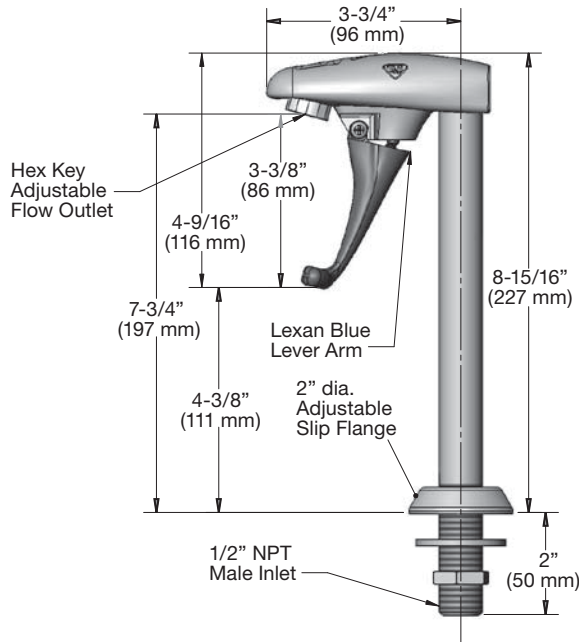
- Chrome plated brass body
- Adjustable flange on shank of pedestal
- 1/2" NPT male shank, 2" long
- Base of flange to outlet is 8"
- Volume regulator
- Translucent push back arm
- Instantaneous shut-off

Variations

- B-1210-01** Same as B-1210 except base of flange to outlet is 10" (254 mm)



Glass Filler Dimensions



Features

- Chrome plated glass filler brass body
- Adjustable flange on shank of pedestal
- Volume regulator
- Translucent push back arm
- Instantaneous shut-off

Compliant to:

- ASME A112.18.1M
- NSF 61, Sec. 9
- CSA B125

Warranty

1 year (limited)

Made in the USA



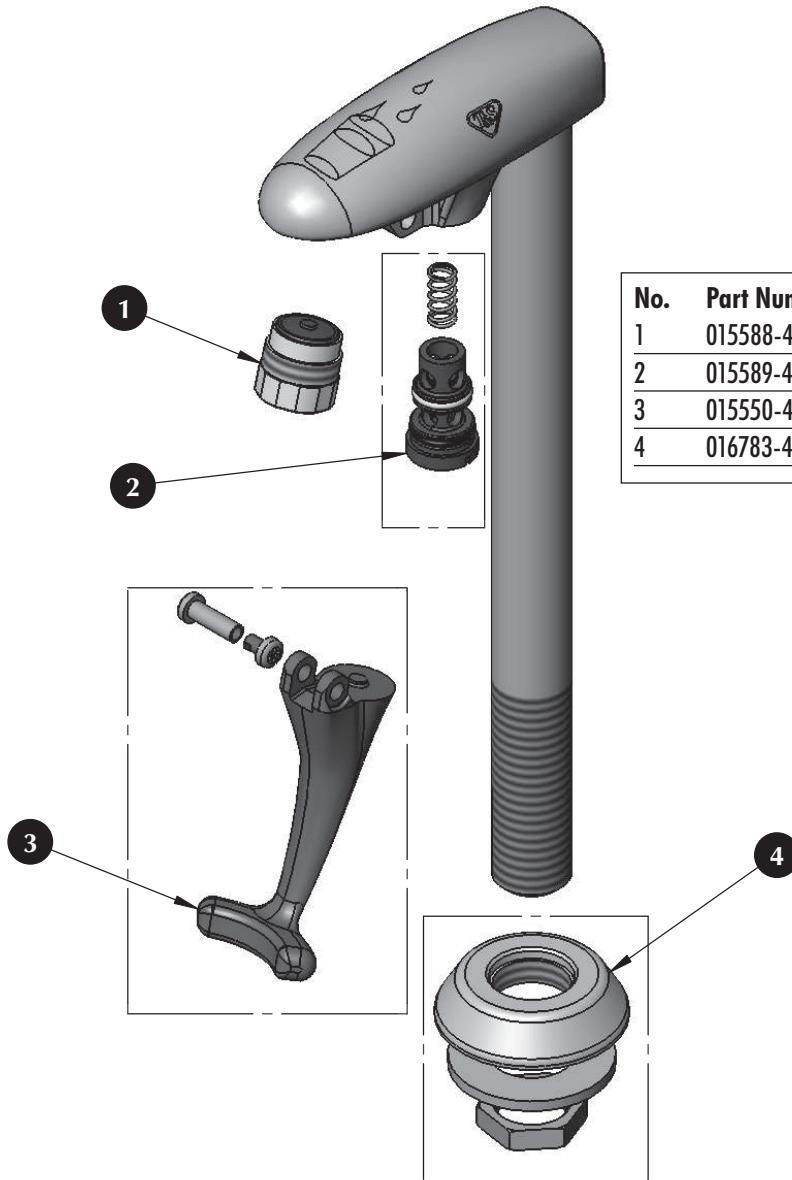
This space for Architect/Engineer Approval	
Job Name _____	Date _____
Model Specified _____	Quantity _____
Variations Specified _____	
Customer/Wholesaler _____	
Contractor _____	
Architect _____	

The information contained in this document is subject to change without notice.



RELIABILITY BUILT IN

B-1210 Glass Filler



No.	Part Number	Description
1	015588-40	Adjustable Outlet with Hex Key
2	015589-40	Valve Asm.
3	015550-40	Lever Arm Repair Kit
4	016783-40	Adjustable Deck Flange Repair Kit

T&S Brass and Bronze Works, Inc. • 2 Saddleback Cove, P.O. Box 1088 • Travelers Rest, SC 29690
Ph 864-834-4102 • Fax 864-834-3518 • Web www.tsbrass.com

B-1210 Glass Filler S.S. — Rev. 1 (7/08)

Copyright © 2008 T&S Brass and Bronze Works, Inc. Printed in the USA



RELIABILITY BUILT IN

**B-1230
Water Station**

Description

Push back pedestal glass filler with drip pan and drain

Model

B-1230 Water Station

Flow Rate

Unrestricted

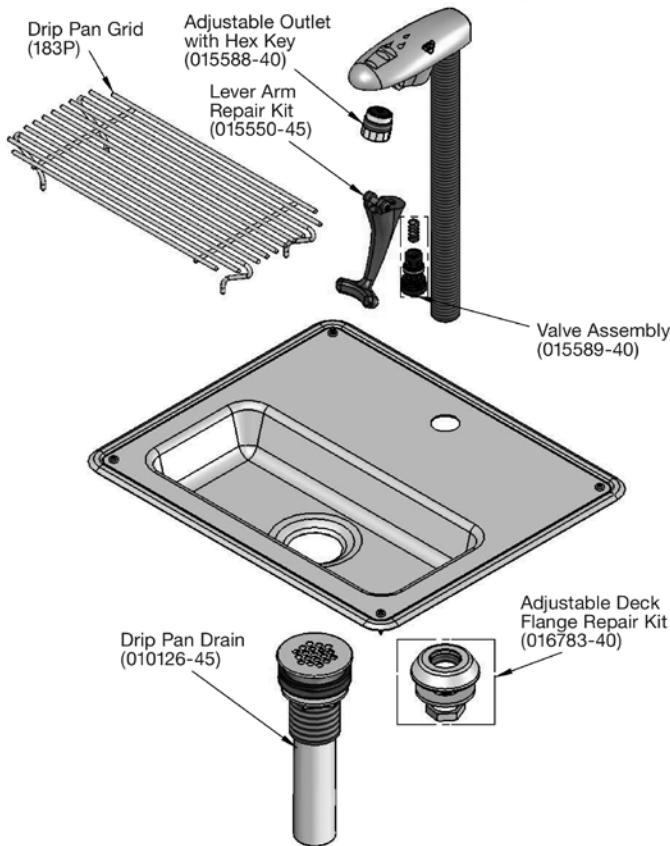
Specifications

Pedestal Push Back Glass Filler, Drip Pan and Drain with the following features:

- One piece drip pan made of 18 gauge stainless steel
- B-1210 chrome plated push back glass filler
- Translucent blue push back arm
- Instantaneous shut-off
- Volume regulator on glass filler
- Coupling nut and 1/4" sweat tailpiece for copper tube connection
- 2-1/4" diameter grid drain
- Drain 1-1/4" 4" long, 17 guage tailpiece



Water Station Dimensions



Features

- Chrome plated glass filler body
- One piece drip pan of 18 gauge stainless steel
- B-1210 glass filler
- Volume regulator on glass filler
- Translucent push back arm
- Instantaneous shut-off
- Drain with tailpiece

Compliant to:

- ASME A112.18.1M
- NSF 61, Sec. 9
- CSA B125

Warranty

1 year (limited)



This space for Architect/Engineer Approval

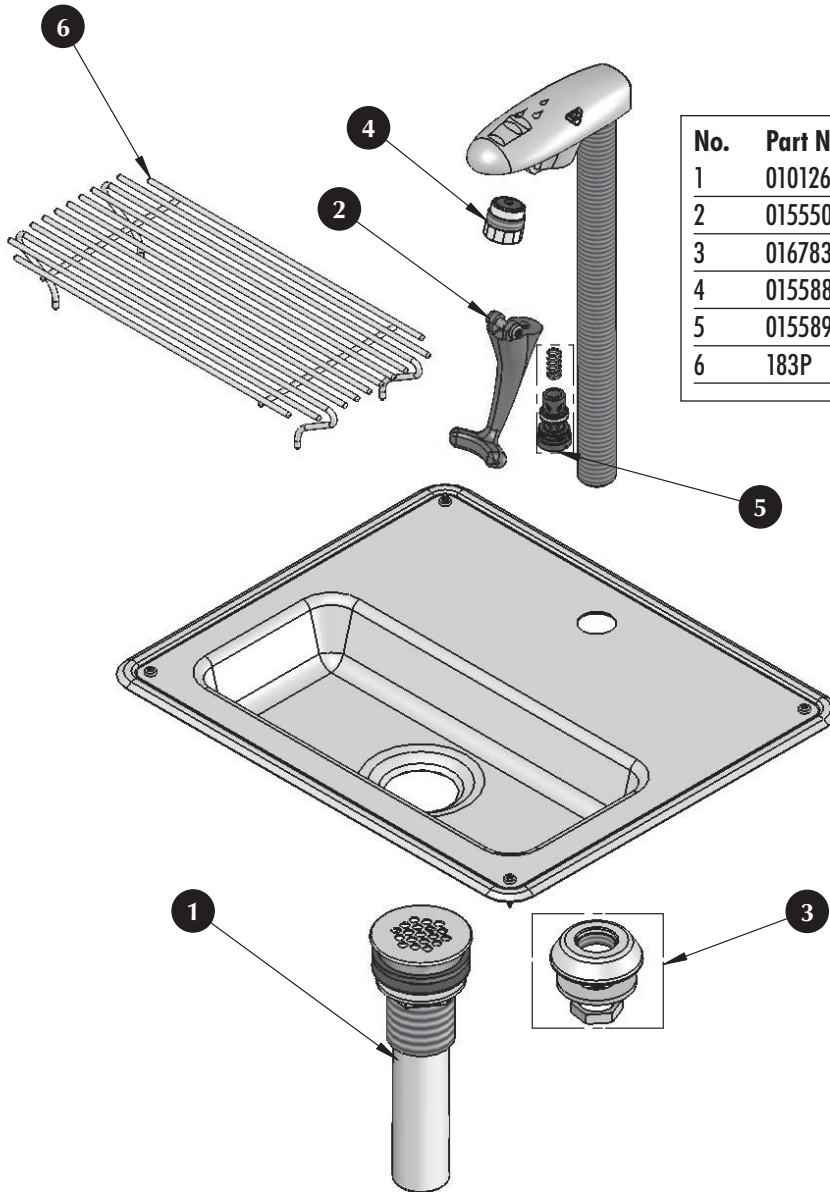
Job Name _____	Date _____
Model Specified _____	Quantity _____
Variations Specified _____	
Customer/Wholesaler _____	
Contractor _____	
Architect _____	

The information contained in this document is subject to change without notice.

T&S Brass and Bronze Works, Inc. • 2 Saddleback Cove, P.O. Box 1088 • Travelers Rest, SC 29690
Ph 864-834-4102 • Fax 864-834-3518 • www.tsbrass.com

B-1230 Water Station S.S. – Rev. 1 (7/08)

Copyright © 2008 T&S Brass and Bronze Works, Inc. Printed in the USA



No.	Part Number	Description
1	010126-45	Drip Pan Drain
2	015550-40	Lever Arm Repair Kit
3	016783-40	Adjustable Deck Flange Repair Kit
4	015588-40	Adjustable Outlet with Hex Key
5	015589-40	Valve Asm.
6	183P	Drip Pan Grid



RELIABILITY BUILT IN

B-2282 and 006678-45 Dipperwell Faucet and Bowl

Description

Dipperwell Faucet and Dipperwell Bowl

Model

- B-2282** Dipperwell Faucet
- 006678-45** Dipperwell Bowl

Flow Rate

- Unrestricted

Specifications

Dipperwell Faucet has the following features:

- Chrome plated faucet with push button handle
- 5-3/4" overall height
- 1-3/8" above table
- 1/16" solder inlet

Dipperwell Bowl has the following features:

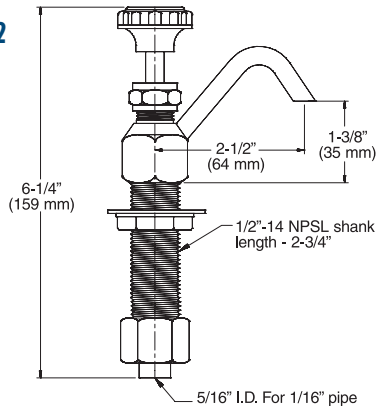
- Keeps ice cream scoops and paddles clean and sanitized
- Stainless steel internal cup, outer container and tailpiece washer
- 4" length of 1-1/2" brass tubing
- Sits flush with table top
- Drains quickly and easily

Variations

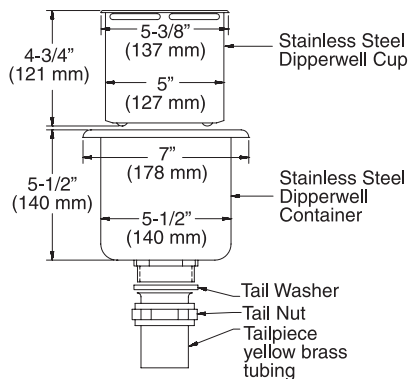
- B-2282-01** Includes both the B-2282 Dipperwell faucet and the 006678-45 Dipperwell Bowl

Dimensions

B-2282



006678-45



B-2282



006678-45

Features

- Chrome plated Dipperwell faucet
- Push button control on faucet
- Stainless steel Dipperwell bowl keeps ice cream paddles and scoops sanitized
- Dipperwell bowl has stainless steel internal cup
- Dipperwell bowl drains quickly and easily

Compliant to:

- ASME A112.18.1M

Warranty

1 year (limited)

T&S Brass and Bronze Works, Inc. • 2 Saddleback Cove, P.O. Box 1088 • Travelers Rest, SC 29690
Ph 864-834-4102 • Fax 864-834-3518 • www.tsbrass.com

B-2282 Dipperwell Faucet and 006678-45 Dipperwell Bowl S.S. – Rev. 1 (11/08)
Copyright © 2008 T&S Brass and Bronze Works, Inc. Printed in the USA

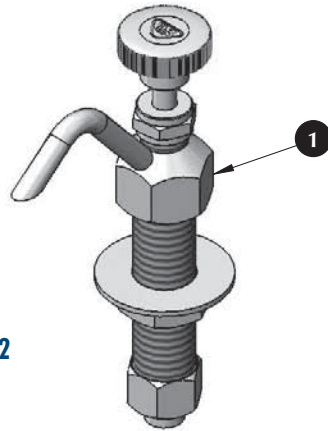
This space for Architect/Engineer Approval	
Job Name _____	Date _____
Model Specified _____	Quantity _____
Variations Specified _____	
Customer/Wholesaler _____	
Contractor _____	
Architect _____	

The information contained in this document is subject to change without notice.

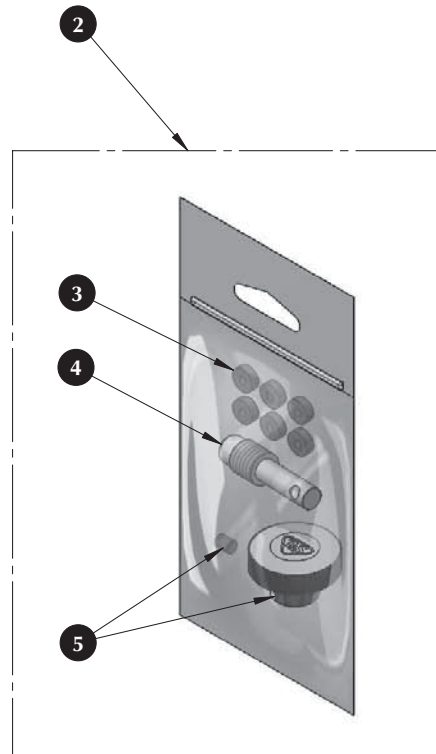


RELIABILITY BUILT IN

B-2282 and 006678-45 Dipperwell Faucet and Bowl



B-2282



No.	Part Number	Description
1	B-2282	Dipperwell Faucet
2	B-2282-RK	Parts Kit for Dipperwell
3	012481-45	Seat Washer for Dipperwell Stem
4	006680-45	Dipperwell Stem, Seat Washer and Screw
5	014041-45	Dipperwell Knob and Set Screw

T&S Brass and Bronze Works, Inc. • 2 Saddleback Cove, P.O. Box 1088 • Travelers Rest, SC 29690
Ph 864-834-4102 • Fax 864-834-3518 • www.tsbrass.com

B-2282 Dipperwell Faucet and 006678-45 Dipperwell Bowl S.S. – Rev. 1 11/08)
Copyright © 2008 T&S Brass and Bronze Works, Inc. Printed in the USA



RELIABILITY BUILT IN

B-3950 and B-3952 Rotary Twist Waste Valves

Description

Rotary Twist Waste Valve

Model

- B-3950** Rotary Twist Waste Valve with Drain Adapter
- B-3952** Rotary Twist Waste Valve

Flow Rate

- Unrestricted

Specifications

Twist Waste Valves with the following features:

- Cast body
- Rotary twist handle

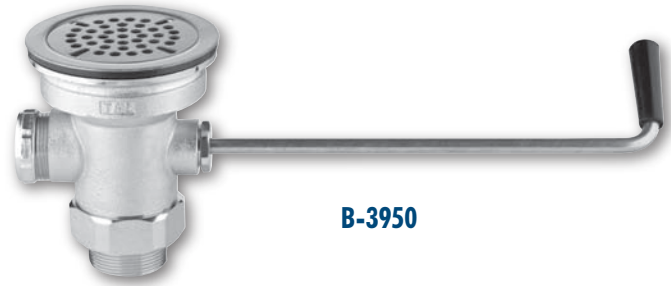
B-3950 includes a 3-1/2" sink opening and and 1-1/2" or 2" NPT drain outlet

B-3952 includes a 3-1/2" sink opening and 2" drain outlet

Notes

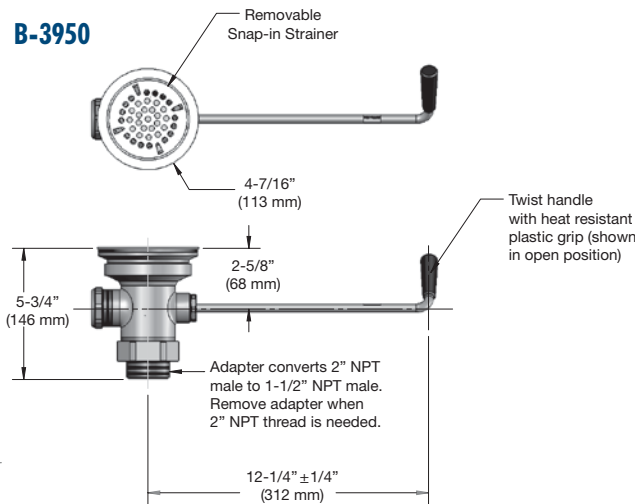
Replacement washers, gaskets and O-Rings are included in parts kit B-39-K

Waste Valve Dimensions

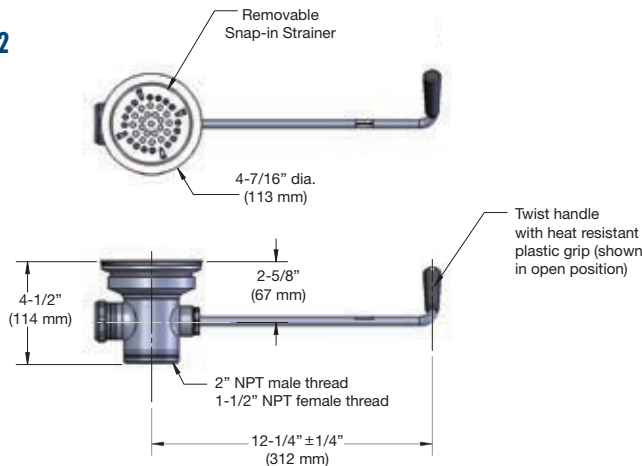


B-3950

B-3950



B-3952



Features

- Cast body
- Rotary twist handle

Warranty

1 year (limited)

Made in USA

This space for Architect/Engineer Approval	
Job Name _____	Date _____
Model Specified _____	Quantity _____
Variations Specified _____	
Customer/Wholesaler _____	
Contractor _____	
Architect _____	

The information contained in this document is subject to change without notice.

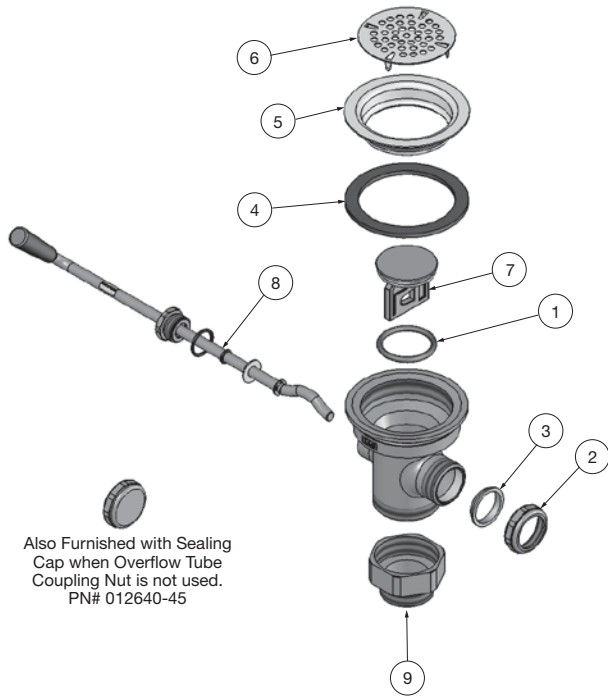
T&S Brass and Bronze Works, Inc. • 2 Saddleback Cove, P.O. Box 1088 • Travelers Rest, SC 29690
Ph 864-834-4102 • Fax 864-834-3518 • www.tsbrass.com

B-3950 and B-3952 Twist Waste Valves S.S. — Rev. 1 (7/08)
Copyright © 2008 T&S Brass and Bronze Works, Inc. Printed in the USA



RELIABILITY BUILT IN

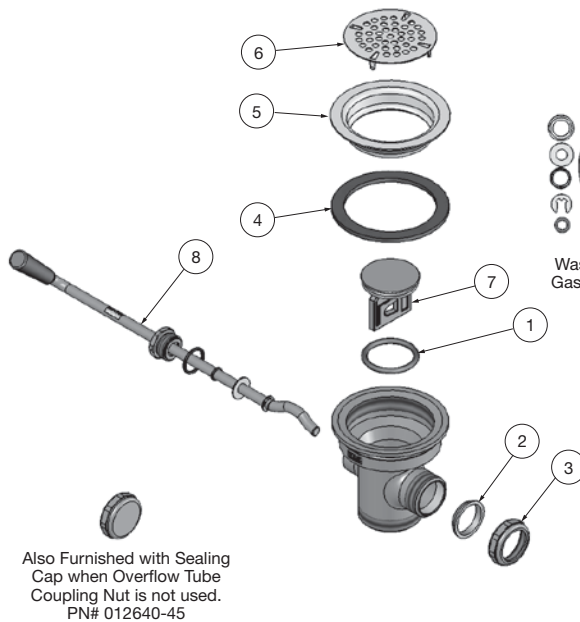
B-3950 and B-3952 Rotary Twist Waste Valves



Washers, O-Rings and Gaskets are included in Parts Kit B-39K

B-3950

No.	Part Number	Description
1	010389-45	O-Ring, Plunger
2	010391-45	Nut, Coupling for Twist Drain
3	010390-45	Ferrule, Coupling Nut
4	010382-45	Gasket, 3-1/2" Face Flange
5	010384-45	Flange, 3-1/2" Face
6	010386-45	Strainer, 3-1/2" Snap-In Removable
7	010388-45	Plunger, Twist Drain
8	010393-45	Handle Asm, Rotary Waste Valve Twist
9	B-3945	Adapter, 2" NPT x 1-1/2" NPT



Washers, O-Rings and Gaskets are included in Parts Kit B-39K

B-3952

No.	Part Number	Description
1	010389-45	O-Ring, Plunger
2	010390-45	Ferrule, Coupling Nut
3	010391-45	Nut, Coupling for Twist Drain
4	010382-45	Gasket, 3-1/2" Face Flange
5	010384-45	Flange, 3-1/2" Face
6	010386-45	Strainer, 3-1/2" Snap-In Removable
7	010388-45	Plunger, Twist Drain
8	010393-45	Handle Asm, Rotary Waste Valve Twist

T&S Brass and Bronze Works, Inc. • 2 Saddleback Cove, P.O. Box 1088 • Travelers Rest, SC 29690
Ph 864-834-4102 • Fax 864-834-3518 • www.tsbrass.com

B-3950 and B-3952 Twist Waste Valves S.S. — Rev. 1 (7/08)
Copyright © 2008 T&S Brass and Bronze Works, Inc. Printed in the USA



RELIABILITY BUILT IN

B-3960 and B-3962 Lever Handle Waste Valves

Description

Lever Handle Waste Valves with Overflow Cap

Models

- B-3960** Lever Handle Waste Valve with Drain Adapter
- B-3962** Lever Handle Waste Valve

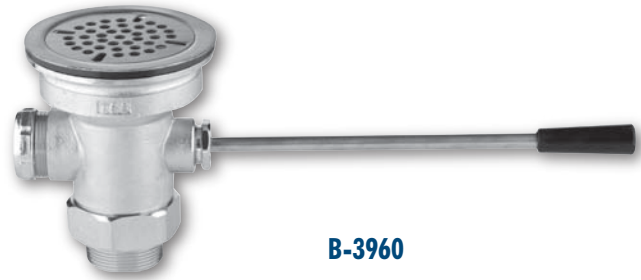
Specifications

Lever handle waste valve with drain adapter and the following features:

- Cast body
- Lever handle

B-3960 includes 3" sink opening and 1-1/2" or 2" NPT drain outlet

B-3962 includes 3" sink opening and 2" NPT drain outlet



B-3960

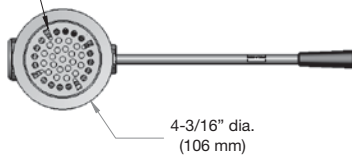
Notes:

Overflow assembly available by putting -01 at end of waste valve model number.

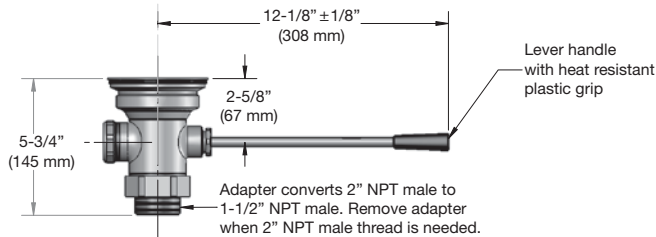
Replacement washers, gaskets and O-Rings are included in parts kit B-39-K.

Waste Valve Dimensions

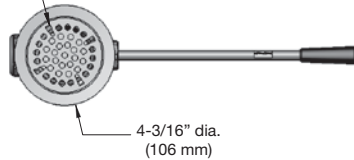
Removable Snap-in Strainer



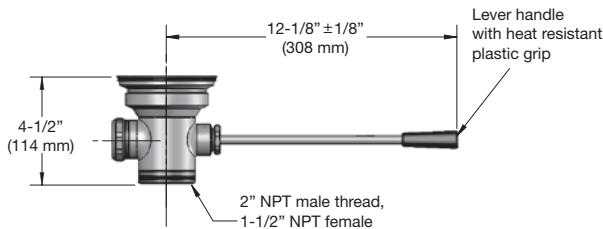
B-3960



Removable Snap-in Strainer



B-3962



Features

- Cast body
- Lever handle

Warranty

1 year (limited)

Made in the USA

T&S Brass and Bronze Works, Inc. • 2 Saddleback Cove, P.O. Box 1088 • Travelers Rest, SC 29690
Ph 864-834-4102 • Fax 864-834-3518 • www.tsbrass.com

B-3960 and B-3962 Lever Waste Valves S.S. — Rev. 0 (7/08)
Copyright © 2008 T&S Brass and Bronze Works, Inc. Printed in the USA

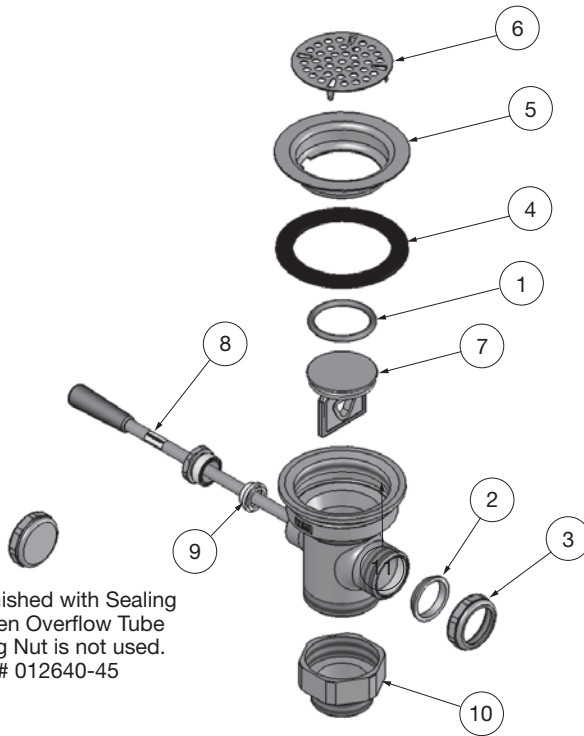
This space for Architect/Engineer Approval	
Job Name _____	Date _____
Model Specified _____	Quantity _____
Variations Specified _____	
Customer/Wholesaler _____	
Contractor _____	
Architect _____	

The information contained in this document is subject to change without notice.

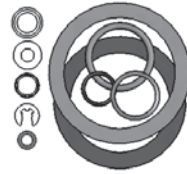


RELIABILITY BUILT IN

B-3960 and B-3962 Lever Handle Waste Valves



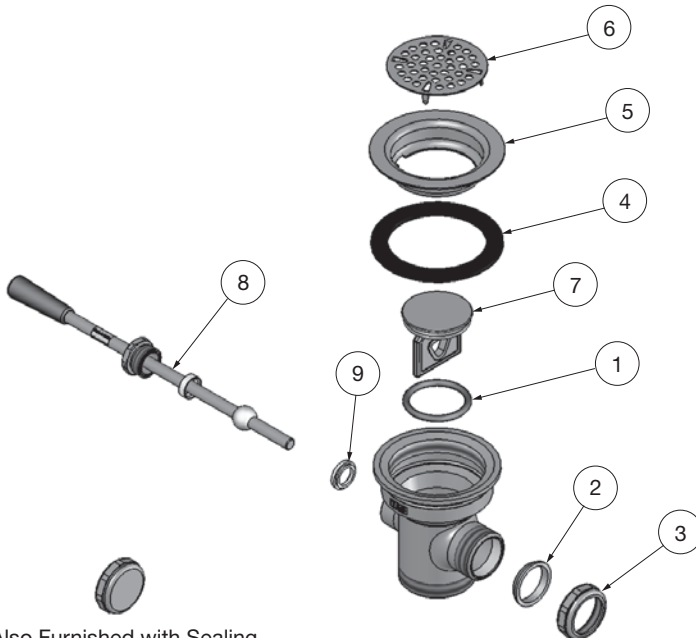
Also Furnished with Sealing Cap when Overflow Tube Coupling Nut is not used.
PN# 012640-45



Washers, O-Rings and Gaskets are included in Parts Kit B-39K

B-3960

No.	Part Number	Description
1	010389-45	O-Ring, Plunger
2	010390-45	Ferrule, Coupling Nut
3	010391-45	Nut, Coupling for Twist Drain
4	015305-45	Gasket, 3" Face Flange
5	015306-45	Flange, 3" Face
6	015307-45	Strainer, 3" Snap-In Removable
7	015405-45	Plunger Casting for Lever Waste Drain
8	010394-45	Handle Asm, Waste Drain Valve Lever
9	010392-45	Bushing, Waste Drain Lever Asm
10	B-3945	Adapter, 2" NPT x 1-1/2" NPT



Also Furnished with Sealing Cap when Overflow Tube Coupling Nut is not used.
PN# 012640-45



Washers, O-Rings and Gaskets are included in Parts Kit B-39K

B-3962

No.	Part Number	Description
1	010389-45	O-Ring, Plunger
2	010390-45	Ferrule, Coupling Nut
3	010391-45	Nut, Coupling for Twist Drain
4	015305-45	Gasket, 3" Face Flange
5	015306-45	Flange, 3" Face
6	015307-45	Strainer, 3" Snap-In Removable
7	015405-45	Plunger Casting for Lever Waste Drain
8	010394-45	Handle Asm, Waste Drain Valve Lever
9	010392-45	Bushing, Waste Drain Lever Asm

T&S Brass and Bronze Works, Inc. • 2 Saddleback Cove, P.O. Box 1088 • Travelers Rest, SC 29690
Ph 864-834-4102 • Fax 864-834-3518 • www.tsbrass.com

B-3960 and B-3962 Lever Waste Valves S.S. — Rev. 0 (7/08)
Copyright © 2008 T&S Brass and Bronze Works, Inc. Printed in the USA



RELIABILITY BUILT IN

B-7122-C01 Enclosed Stainless Steel Hose Reel

Description

Enclosed stainless steel hose reel with spray valve

Models

- B-7122-C01** Enclosed Stainless Steel Hose Reel with EB-0107 Spray Valve

Flow Rate

- 4.0+ GPM

Specifications

Enclosed Stainless Steel Hose Reel with the following features:

- 30' hose, 3/8" I.D.
- EB-0107 blue spray valve
- Heavy duty blue hose
- 3/8" NPT female inlet
- Adjustable hose bumper
- Multi-fit bracket for wall, ceiling or under counter mounting

Variations

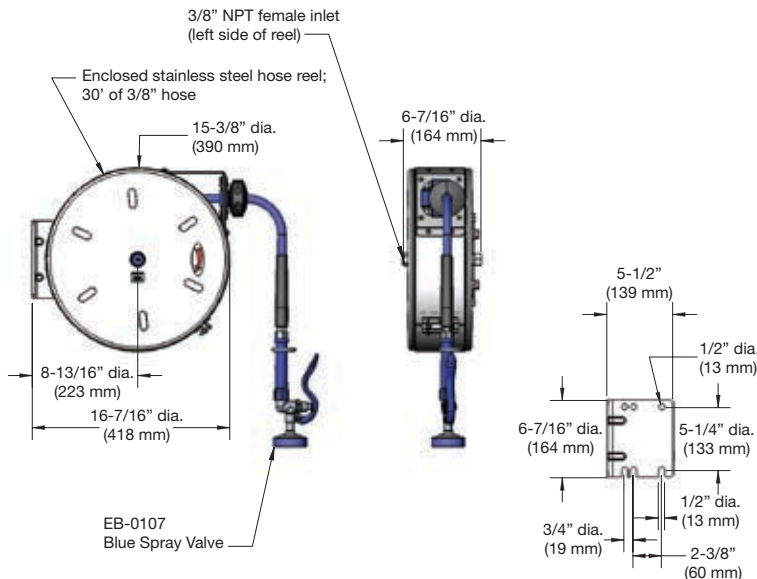
- B-7122-C01M** With B-0107 Spray valve
- B-7122-C02** With MV-2516-24 Rear trigger water gun
- B-7122-C05** With MV-2522-24 Front trigger water gun
- B-7122-C08M** With B-0108 JetSpray valve
- B-7122-C10** With EB-2322 Extended spray wand



Notes:

If mixing valve is used, check valves should be installed to prevent crossflow of water.

Dimensions



Features

- Stainless steel enclosed hose reel
- Heavy duty blue hose
- EB-0107 spray valve

Warranty

1 year (limited)

Made in the USA

This space for Architect/Engineer Approval	
Job Name _____	Date _____
Model Specified _____	Quantity _____
Variations Specified _____	
Customer/Wholesaler _____	
Contractor _____	
Architect _____	

T&S Brass and Bronze Works, Inc. • 2 Saddleback Cove, P.O. Box 1088 • Travelers Rest, SC 29690
Ph 864-834-4102 • Fax 864-834-3518 • www.tsbrass.com

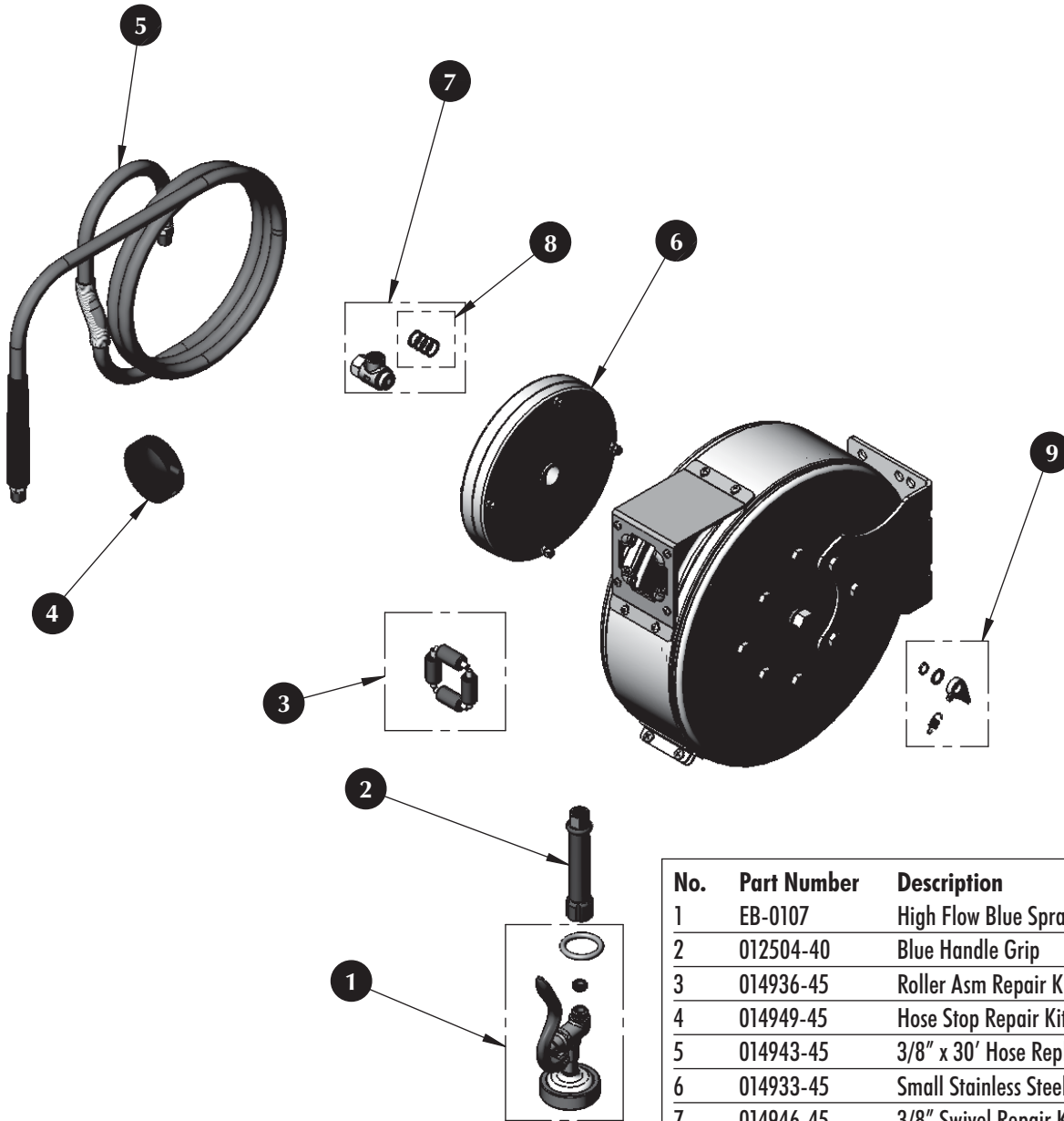
B-7142-C01 Enclosed Stainless Steel Hose Reel S.S. – Rev. 0 (7/08)
Copyright © 2008 T&S Brass and Bronze Works, Inc. Printed in the USA

The information contained in this document is subject to change without notice.



RELIABILITY BUILT IN

B-7122-C01 Enclosed Stainless Steel Hose Reel



No.	Part Number	Description
1	EB-0107	High Flow Blue Spray Valve
2	012504-40	Blue Handle Grip
3	014936-45	Roller Asm Repair Kit
4	014949-45	Hose Stop Repair Kit
5	014943-45	3/8" x 30' Hose Replacement Kit
6	014933-45	Small Stainless Steel Spring Asm
7	014946-45	3/8" Swivel Repair Kit
8	014948-45	O-Ring Replacement Kit
9	014940-45	Ratchet Repair Kit

T&S Brass and Bronze Works, Inc. • 2 Saddleback Cove, P.O. Box 1088 • Travelers Rest, SC 29690
Ph 864-834-4102 • Fax 864-834-3518 • www.tsbrass.com

B-7142-C01 Enclosed Stainless Steel Hose Reel S.S. – Rev. 0 (7/08)
Copyright © 2008 T&S Brass and Bronze Works, Inc. Printed in the USA



RELIABILITY BUILT IN

B-7132-01 Open Stainless Steel Hose Reel

Description

Stainless steel open hose reel with EB-0107 spray valve

Models

- B-7132-01** Open Stainless Steel Hose Reel with EB-0107 Spray Valve

Flow Rate

- 4.0+ GPM

Specifications

Open Stainless Steel Hose Reel with the following features:

- 35' hose, 3/8" I.D.
- EB-0107 blue spray valve
- Heavy duty blue hose
- 3/8" NPT female inlet
- Adjustable hose bumper
- Multi-fit bracket for wall, ceiling or under counter mounting

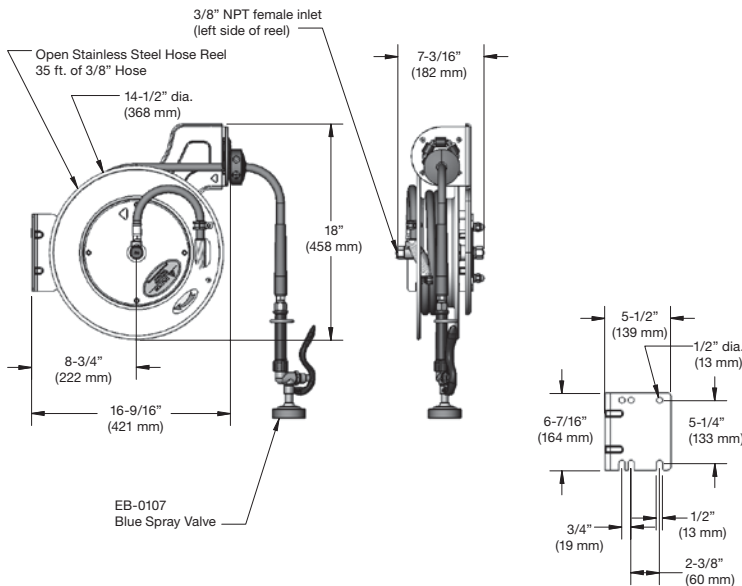
Variations

- B-7132-01M** With B-0107 Spray valve
- B-7132-02** With MV-2516-24 Rear trigger water gun
- B-7132-05** With MV-2522-24 Front trigger water gun
- B-7132-08M** With B-0108 JetSpray valve
- B-7132-10** With EB-2322 Extended spray wand

Notes:

If mixing valve is used, check valves should be installed to prevent crossflow of water.

Dimensions



Features

- Stainless steel open hose reel
- Heavy duty blue hose
- EB-0107 spray valve

Warranty

1 year (limited)

Made in the USA

This space for Architect/Engineer Approval

Job Name _____ Date _____

Model Specified _____ Quantity _____

Variations Specified _____

Customer/Wholesaler _____

Contractor _____

Architect _____

T&S Brass and Bronze Works, Inc. • 2 Saddleback Cove, P.O. Box 1088 • Travelers Rest, SC 29690
Ph 864-834-4102 • Fax 864-834-3518 • www.tsbrass.com

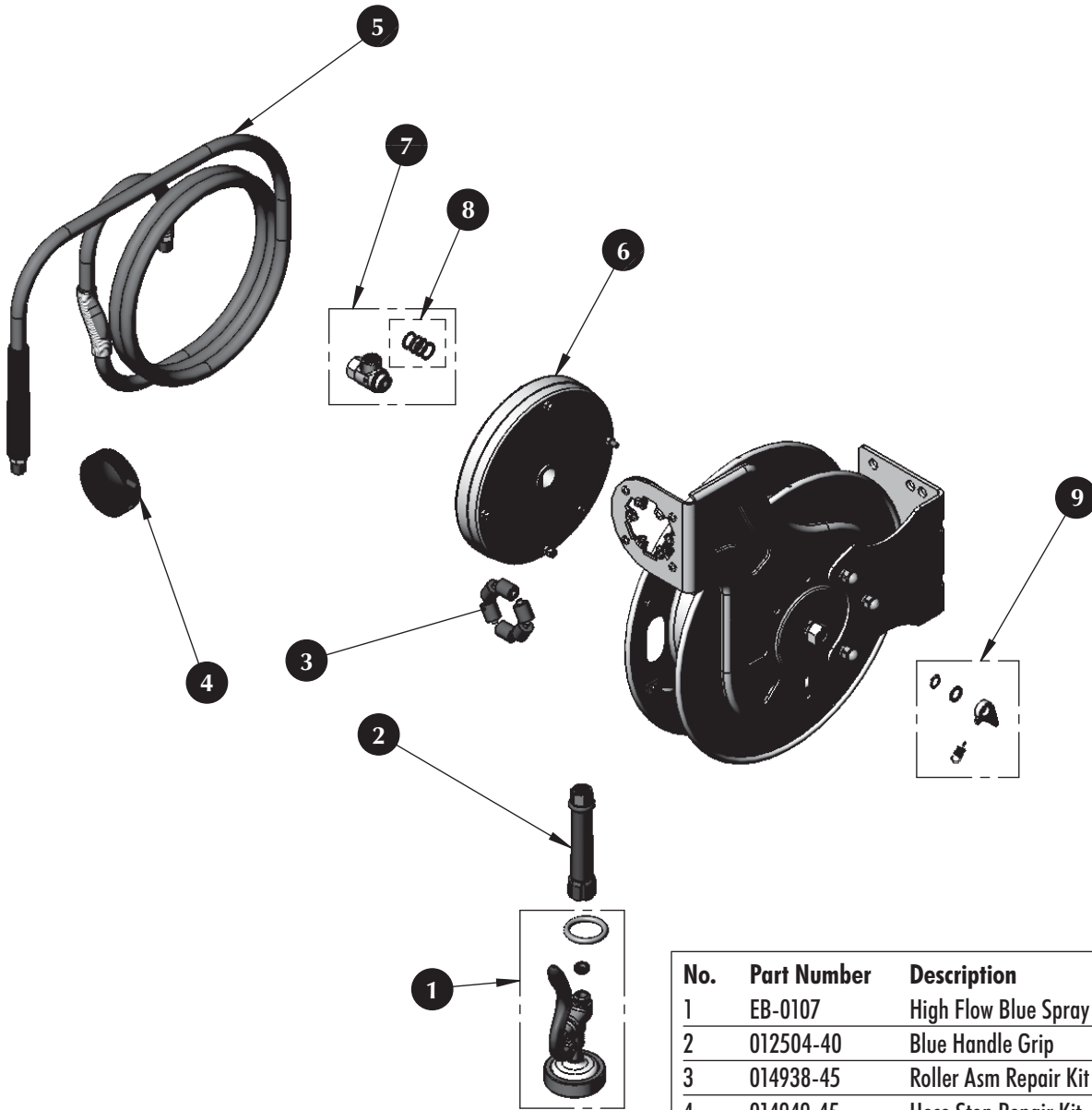
B-7132-01 Open Stainless Steel Hose Reel S.S. — Rev. 0 (5/08)
Copyright © 2008 T&S Brass and Bronze Works, Inc. Printed in the USA

The information contained in this document is subject to change without notice.



RELIABILITY BUILT IN

B-7132-01 Open Stainless Steel Hose Reel



No.	Part Number	Description
1	EB-0107	High Flow Blue Spray Valve
2	012504-40	Blue Handle Grip
3	014938-45	Roller Asm Repair Kit
4	014949-45	Hose Stop Repair Kit
5	014941-45	3/8" x 35' Hose Replacement Kit
6	014933-45	Small Stainless Steel Spring Asm
7	014946-45	3/8" Swivel Repair Kit
8	014948-45	O-Ring Replacement Kit
9	014940-45	Ratchet Repair Kit

T&S Brass and Bronze Works, Inc. • 2 Saddleback Cove, P.O. Box 1088 • Travelers Rest, SC 29690
Ph 864-834-4102 • Fax 864-834-3518 • www.tsbrass.com

B-7132-01 Open Stainless Steel Hose Reel S.S. — Rev. 0 (5/08)
Copyright © 2008 T&S Brass and Bronze Works, Inc. Printed in the USA



RELIABILITY BUILT IN

B-7222-C01 Enclosed Epoxy Coated Hose Reel

Description

Enclosed epoxy coated hose reel with spray valve

Models

- B-7222-C01** Enclosed Epoxy Coated Hose Reel with EB-0107 Spray Valve

Flow Rate

- 4.0+ GPM

Specifications

Enclosed Epoxy Coated Hose Reel with the following features:

- 30' hose, 3/8" I.D.
- EB-0107 blue spray valve
- Heavy duty blue hose
- 3/8" NPT female inlet
- Adjustable hose bumper
- Multi-fit bracket for wall, ceiling or under counter mounting

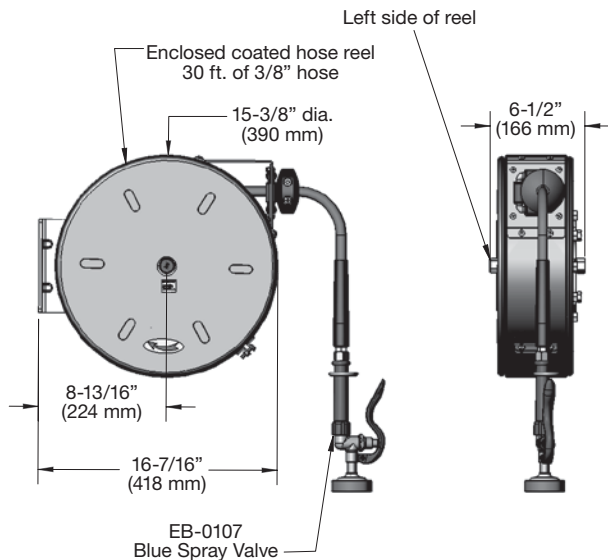
Variations

- B-7222-C01M** With B-0107 Spray valve
- B-7222-C02** With MV-2516-24 Rear trigger water gun
- B-7222-C05** With MV-2522-24 Front trigger water gun
- B-7222-C08M** With B-0108 JeTSpray valve
- B-7222-C10** With EB-2322 Extended spray wand

Notes:

If mixing valve is used, check valves should be installed to prevent crossflow of water.

Dimensions



Features

- Epoxy coated enclosed hose reel
- Heavy duty blue hose
- EB-0107 spray valve

Warranty

1 year (limited)

Made in the USA

This space for Architect/Engineer Approval	
Job Name _____	Date _____
Model Specified _____	Quantity _____
Variations Specified _____	
Customer/Wholesaler _____	
Contractor _____	
Architect _____	

T&S Brass and Bronze Works, Inc. • 2 Saddleback Cove, P.O. Box 1088 • Travelers Rest, SC 29690
Ph 864-834-4102 • Fax 864-834-3518 • www.tsbrass.com

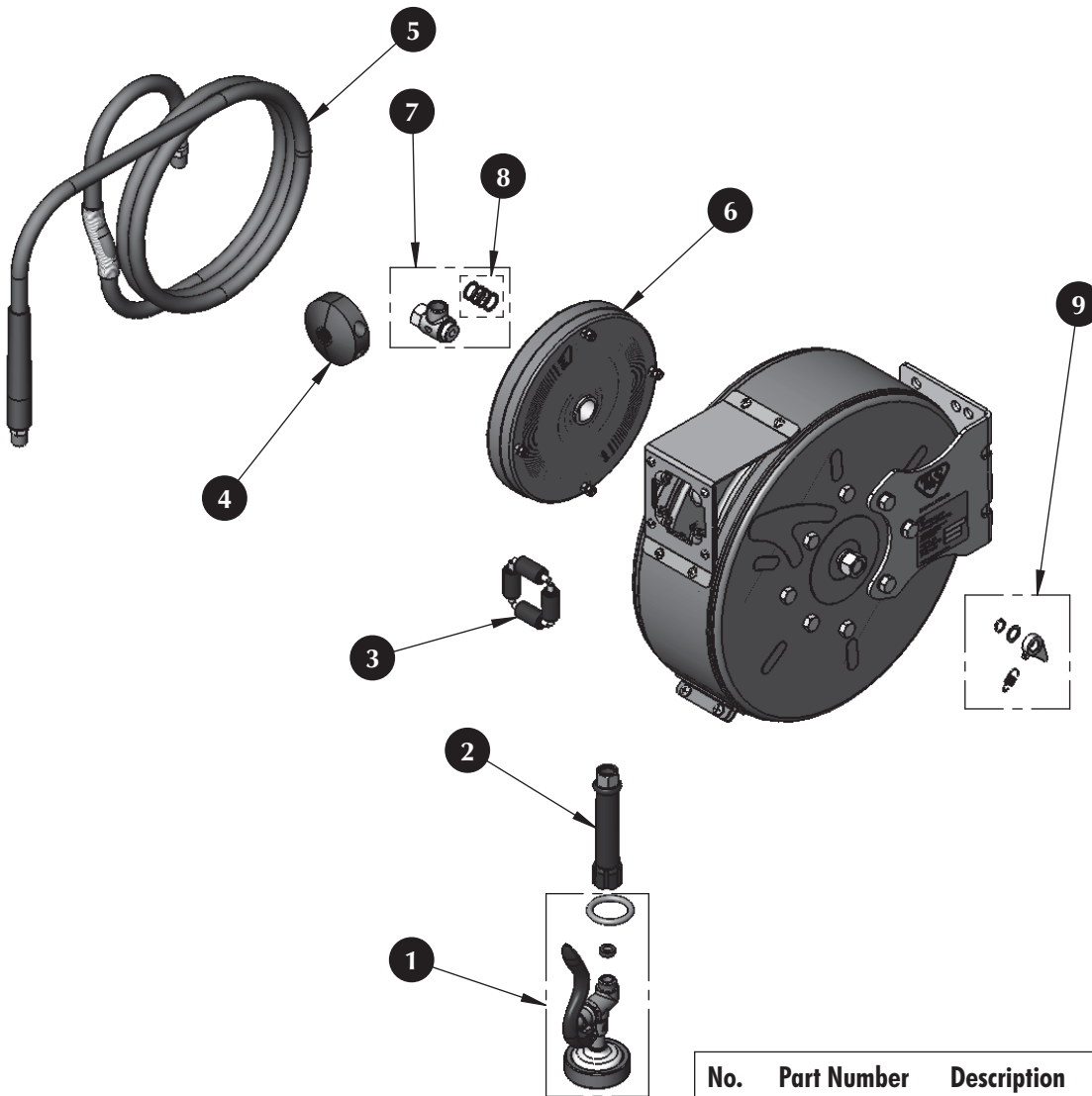
B-7222-C01 Enclosed Epoxy Coated Hose Reel S.S. — Rev. 0 (5/08)
Copyright © 2008 T&S Brass and Bronze Works, Inc. Printed in the USA

The information contained in this document is subject to change without notice.



RELIABILITY BUILT IN

B-7222-C01 Enclosed Epoxy Coated Hose Reel



No.	Part Number	Description
1	EB-0107	High Flow Blue Spray Valve
2	012504-40	Blue Handle Grip
3	014936-45	Roller Assembly Repair Kit
4	014949-45	Hose Stop Repair Kit
5	014943-45	3/8" x 30' Hose Replacement Kit
6	014932-45	Small Coated Spring Assembly
7	014946-45	3/8" Swivel Repair Kit
8	014948-45	O-Ring Replacement Kit
9	014940-45	Ratchet Repair Kit

T&S Brass and Bronze Works, Inc. • 2 Saddleback Cove, P.O. Box 1088 • Travelers Rest, SC 29690
Ph 864-834-4102 • Fax 864-834-3518 • www.tsbrass.com

B-7222-C01 Enclosed Epoxy Coated Hose Reel S.S. — Rev. 0 (9/08)
Copyright © 2008 T&S Brass and Bronze Works, Inc. Printed in the USA



RELIABILITY BUILT IN

B-7232-01 Open Epoxy Coated Hose Reel

Description

Open epoxy coated hose reel with spray valve

Models

- B-7232-01** Open Epoxy Coated Hose Reel with EB-0107 Spray Valve

Flow Rate

- 4.0+ GPM

Specifications

Open Epoxy Coated Hose Reel with the following features:

- 35' hose, 3/8" I.D.
- EB-0107 blue spray valve
- Heavy duty blue hose
- 3/8" NPT female inlet
- Adjustable hose bumper
- Multi-fit bracket for wall, ceiling or under counter mounting

Variations

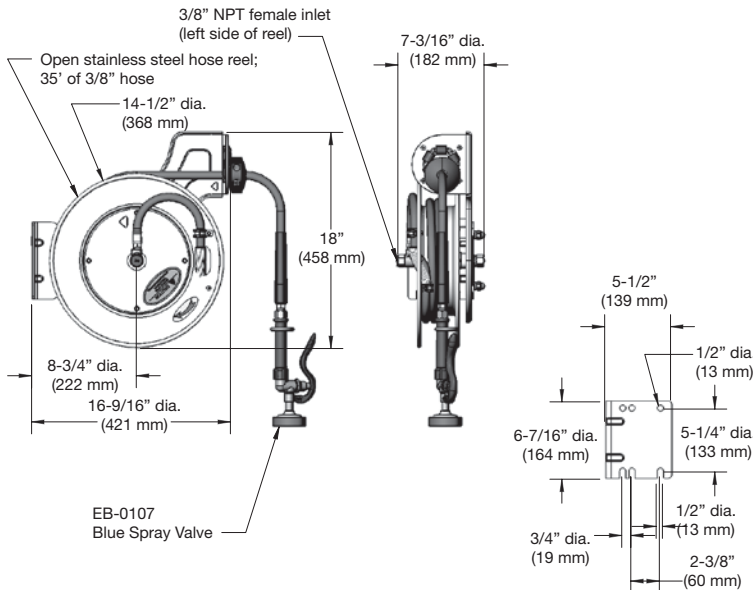
- B-7232-01M** With B-0107 Spray valve
- B-7232-02** With MV-2516-24 Rear trigger water gun
- B-7232-05** With MV-2522-24 Front trigger water gun
- B-7232-08M** With B-0108 JetSpray valve
- B-7232-10** With EB-2322 Extended spray wand

Notes:

If mixing valve is used, check valves should be installed to prevent crossflow of water.



Dimensions



Features

- Epoxy coated open hose reel
- Heavy duty blue hose
- EB-0107 spray valve

Warranty

1 year (limited)

Made in the USA

This space for Architect/Engineer Approval	
Job Name _____	Date _____
Model Specified _____	Quantity _____
Variations Specified _____	
Customer/Wholesaler _____	
Contractor _____	
Architect _____	

T&S Brass and Bronze Works, Inc. • 2 Saddleback Cove, P.O. Box 1088 • Travelers Rest, SC 29690
Ph 864-834-4102 • Fax 864-834-3518 • www.tsbrass.com

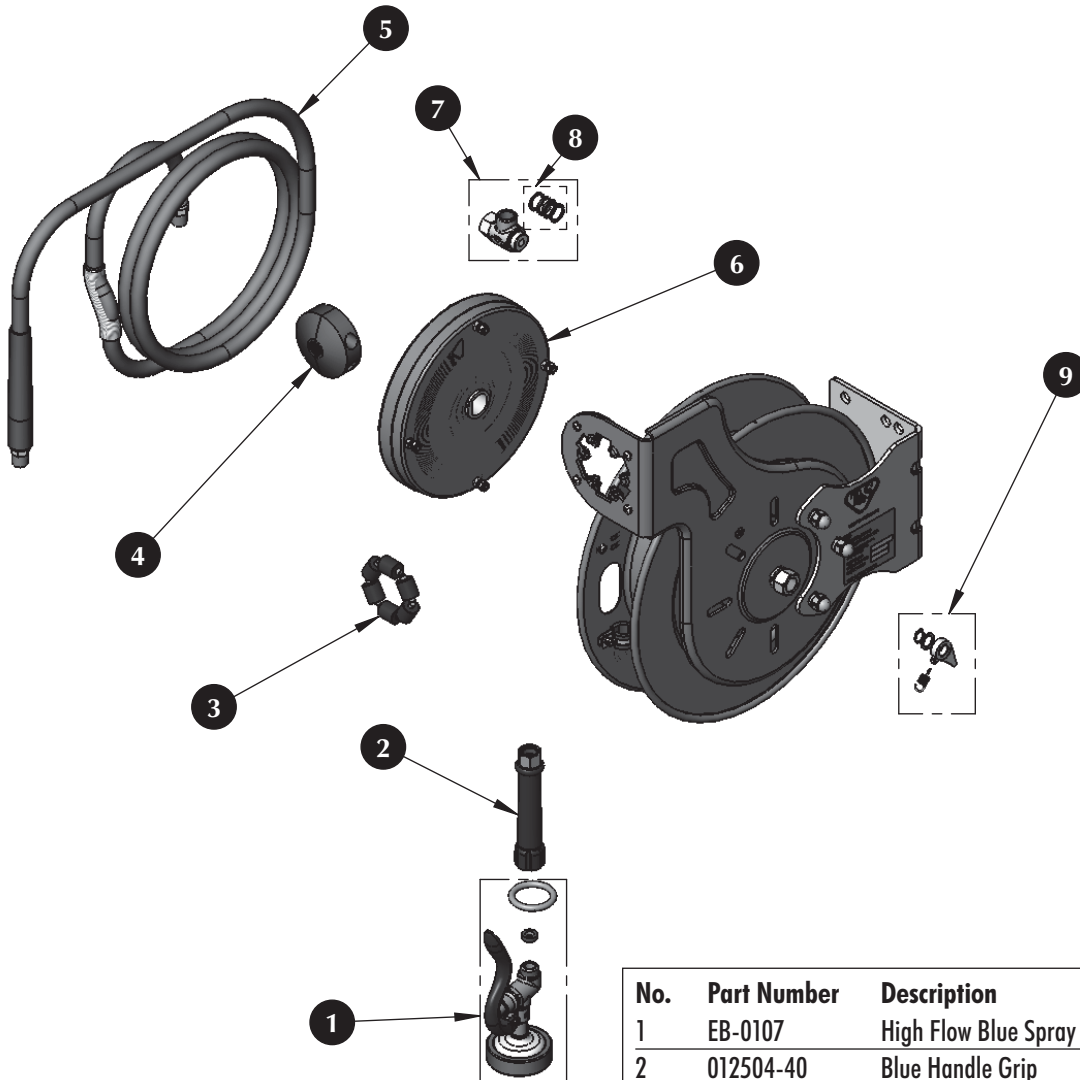
B-7232-01 Open Epoxy Coated Hose Reel S.S. — Rev. 0 (7/08)
Copyright © 2008 T&S Brass and Bronze Works, Inc. Printed in the USA

The information contained in this document is subject to change without notice.



RELIABILITY BUILT IN

B-7232-01 Open Epoxy Coated Hose Reel



No.	Part Number	Description
1	EB-0107	High Flow Blue Spray Valve
2	012504-40	Blue Handle Grip
3	014938-45	Roller Asm Repair Kit
4	014949-45	Hose Stop Repair Kit
5	014941-45	3/8" x 35' Hose Replacement Kit
6	014932-45	Small Coated Steel Spring Asm
7	014946-45	3/8" Swivel Repair Kit
8	014948-45	O-Ring Replacement Kit
9	014940-45	Ratchet Repair Kit

T&S Brass and Bronze Works, Inc. • 2 Saddleback Cove, P.O. Box 1088 • Travelers Rest, SC 29690
Ph 864-834-4102 • Fax 864-834-3518 • www.tsbrass.com

B-7232-01 Open Epoxy Coated Hose Reel S.S. — Rev. 0 (7/08)
Copyright © 2008 T&S Brass and Bronze Works, Inc. Printed in the USA



RELIABILITY BUILT IN

EC-3100 ChekPoint Electronic Faucet

Description

Deck or wall mounted electronic sensor faucet with gooseneck or integral spout

Models

- EC-3100** Deck Mounted Rigid Gooseneck Electronic Sensor Faucet
- EC-3101** Wall Mounted Rigid Gooseneck Electronic Sensor Faucet
- EC-3102** Single Hole Deck Mounted Electronic Sensor Faucet with Integral Spout
- EC-3103** Centerset Deck Mounted Electronic Sensor Faucet with Integral Spout

Flow Rate

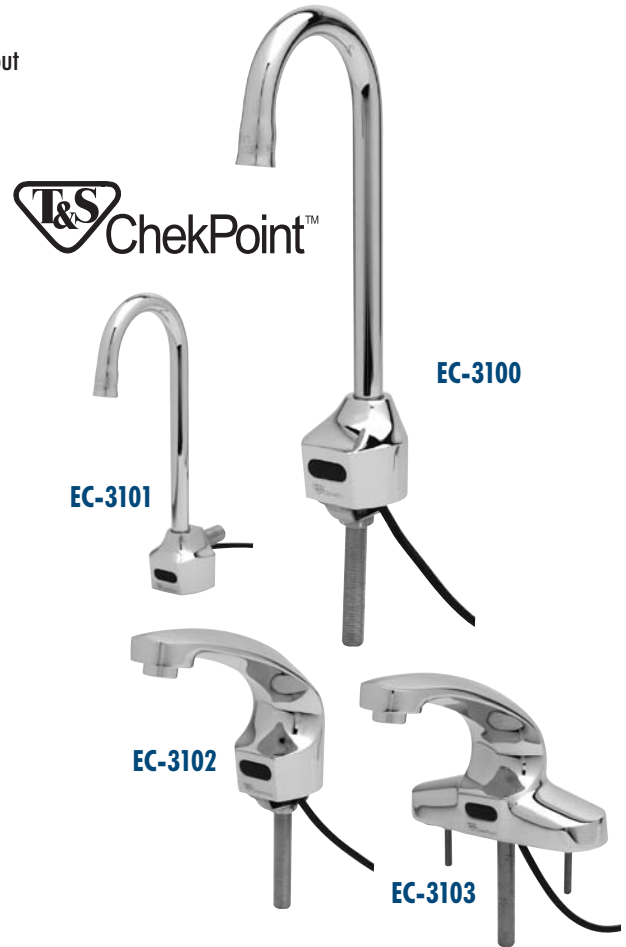
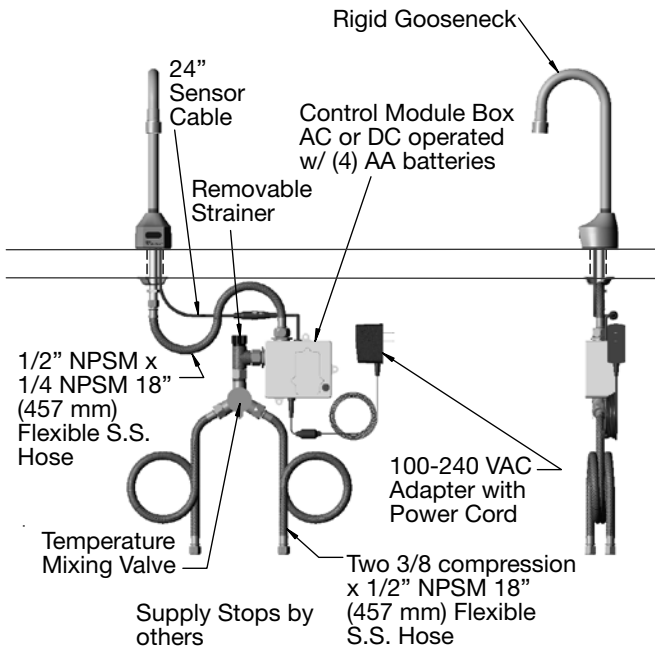
- 2.2 GPM vandal-resistant aerator

Specifications

Electronic Sensor Faucets with the following features:

- Hands-free washing; conserves energy
- Water-resistant circuit control module
- Includes both electric plug-in (AC) and battery (DC) power options
- Adjustable temperature control mixing valve
- Adjustable automatic time-out feature
- Chrome plated brass
- Troubleshooting LED indicator lights
- Check valves for cross-flow prevention

Dimensions



Features

- Chrome plated brass body
- Includes both electric plug-in (AC) and battery (DC) power options
- Water-resistant circuit control module
- Adjustable temperature control mixing valve
- Adjustable automatic time-out feature
- Troubleshooting LED indicator lights
- Check valves for cross-flow prevention

Warranty

1 year (limited)

Made in the USA

This space for Architect/Engineer Approval	
Job Name _____	Date _____
Model Specified _____	Quantity _____
Variations Specified _____	
Customer/Wholesaler _____	
Contractor _____	
Architect _____	

The information contained in this document is subject to change without notice.

T&S Brass and Bronze Works, Inc. • 2 Saddleback Cove, P.O. Box 1088 • Travelers Rest, SC 29690
Ph 864-834-4102 • Fax 864-834-3518 • www.tsbrass.com

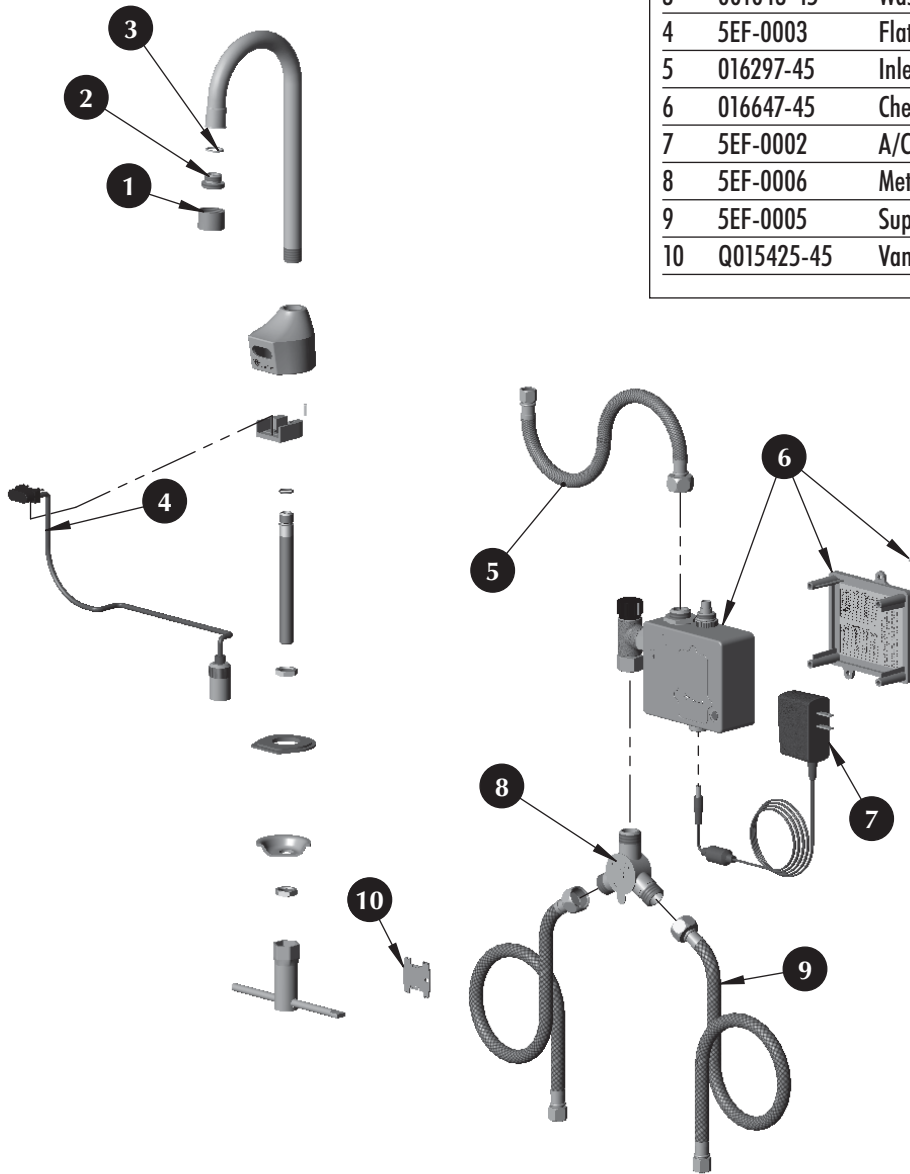
EC-3100, EC-3101, EC-3102 and EC-3103 Electronic Faucets S.S. – Rev. 0 (5/08)
Copyright © 2008 T&S Brass and Bronze Works, Inc. Printed in the USA



RELIABILITY BUILT IN

EC-3100
ChekPoint Electronic Faucet

No.	Part Number	Description
1	B-0199-06	Aerator, Vandal Resistant, with Key
2	044A	Aerator Adapter x 3/8" NPSM male
3	001043-45	Washer
4	5EF-0003	Flat Sensor with Cable
5	016297-45	Inlet Hose, Faucet, 1/2 NPSM-F x 1/4 NPSM-F
6	016647-45	ChekPoint Electronic Module (Blue)
7	5EF-0002	A/C Transformer
8	5EF-0006	Metering Valve
9	5EF-0005	Supply Hose, 9/16-24 female x 1/2 NPSM
10	Q015425-45	Vandal Resistant Key



Label for flow control switch settings is located on inside of back cover.

Flow control switches are located inside module housing in black box next to battery compartment. Switches are set to default position:

Auto time out = 10 seconds
Shut off delay = 1 second

Remove four (4) screws and back cover to access switches.



RELIABILITY BUILT IN

EC-3100-SM ChekPoint Electronic Sensor Faucet with Side Mount Faucet

Description

Side mounted ChekPoint electronic sensor faucet with side mount faucet

Models

- EC-3100-SM ChekPoint Electronic Sensor Faucet with B-2740 Side Mount Faucet

Flow Rate

- 2.2 GPM vandal-resistant aerator

Specifications

EC-3100 Deck Mounted Gooseneck Electronic Faucet and B-2740 Side Mount Faucet with the following features:

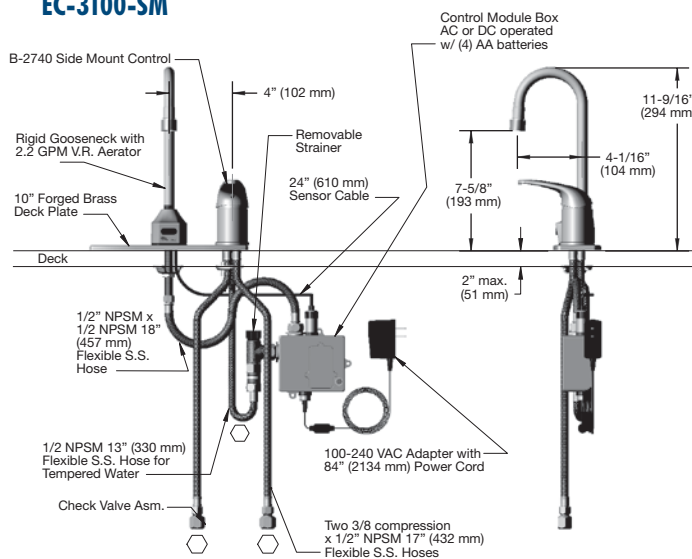
- Chrome plated brass body
- Mounted 4" C/C with B-2740 single lever side mount control faucet
- B-2740 side mount faucet regulates water temperature and "ON/OFF" setting (Note: Side mount control should remain in "OPEN" position for proper operation of sensor faucet)
- Rigid gooseneck with 2.2 GPM vandal-resistant aerator
- Modular assembly for easy installation (Note: Stops supplied by others)
- 10" faged deck plate
- AC/DC waterproof control module box with serviceable strainer filter
- (2) 3/8" compression, 17" long flexible stainless steel hot and cold water supply hoses
- Check valve assembly for crossflow prevention
- Hands-free washing reduces risk of contamination and saves water

Variations

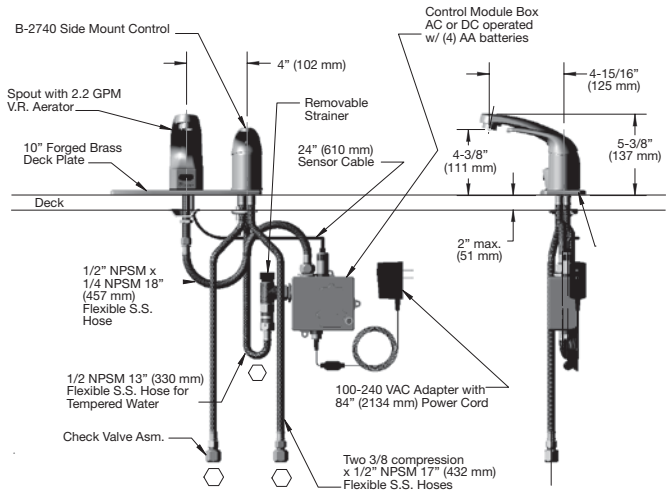
- EC-3102-SM Same as EC-3100 except with EC-3102 deck mounted ChekPoint electronic sensor faucet

Dimensions

EC-3100-SM



EC-3102-SM



Features

- B-2740 side mount faucet
- Chrome plated brass body
- Includes both electric plug-in (AC) and battery (DC) power options
- Water-resistant circuit control module
- Adjustable temperature control mixing valve
- Adjustable automatic time-out feature
- Troubleshooting LED indicator lights
- Check valves for cross-flow prevention

Warranty

1 year (limited)

Made in the USA

This space for Architect/Engineer Approval	
Job Name _____	Date _____
Model Specified _____	Quantity _____
Variations Specified _____	
Customer/Wholesaler _____	
Contractor _____	
Architect _____	

T&S Brass and Bronze Works, Inc. • 2 Saddleback Cove, P.O. Box 1088 • Travelers Rest, SC 29690
Ph 864-834-4102 • Fax 864-834-3518 • www.tsbrass.com

EC-3100-SM and EC-3102-SM ChekPoint Electronic Faucets with Side Mount Faucet S.S. — Rev. 0 (7/08)
Copyright © 2008 T&S Brass and Bronze Works, Inc. Printed in the USA

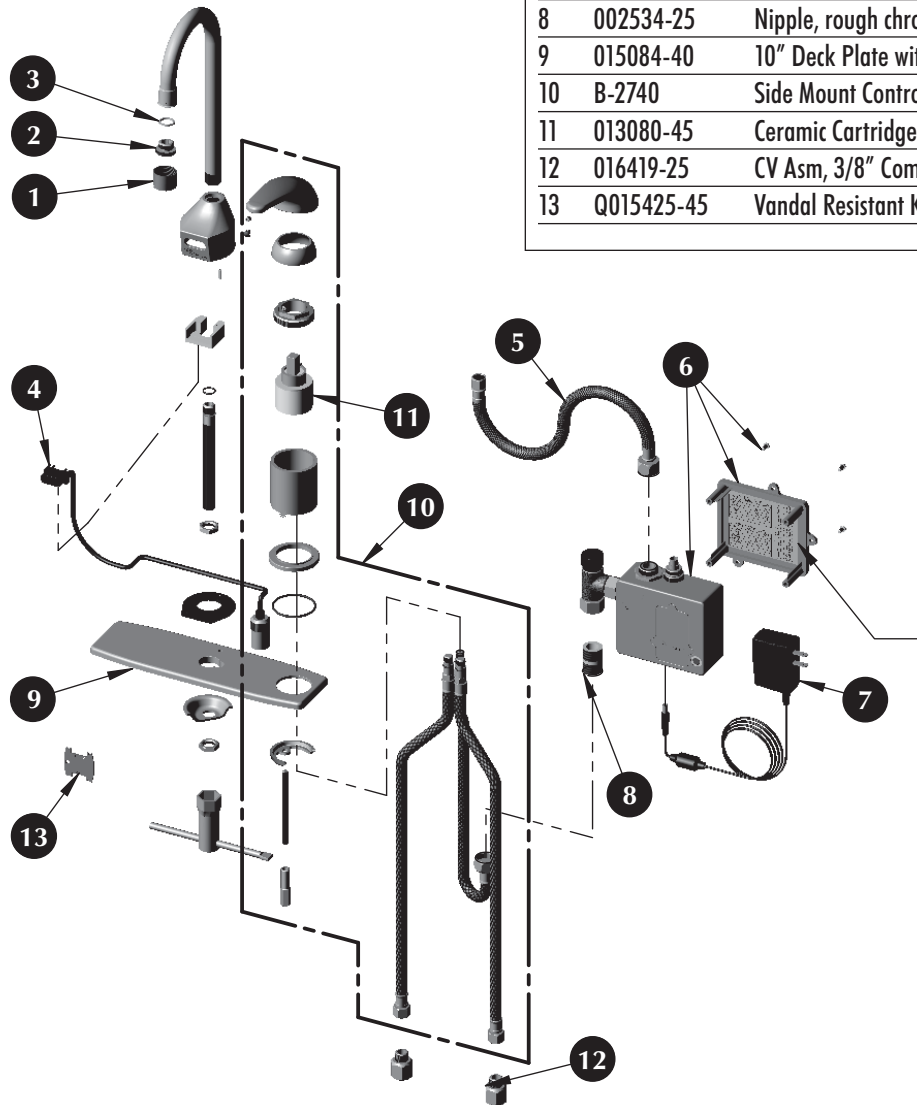
The information contained in this document is subject to change without notice.



RELIABILITY BUILT IN

EC-3100-SM ChekPoint Electronic Sensor Faucet with Side Mount Faucet

No.	Part Number	Description
1	B-0199-06	Aerator, Vandal Resistant, with Key
2	044A	Aerator Adapter x 3/8" NPSM male
3	009636-45	Washer
4	5EF-0003	Flat Sensor with Cable
5	016297-45	Inlet Hose, Faucet, 1/2 NPSM-F x 1/4 NPSM-F
6	016647-45	ChekPoint Electronic Module (Blue)
7	5EF-0002	A/C Transformer
8	002534-25	Nipple, rough chrome, 1/2" close
9	015084-40	10" Deck Plate with Side Mount Hole
10	B-2740	Side Mount Control w/Hoses and Ceramic Cartridge
11	013080-45	Ceramic Cartridge, B-2730
12	016419-25	CV Asm, 3/8" Comp-F x 3/8" Comp-M
13	Q015425-45	Vandal Resistant Key



Label for flow control switch settings is located on inside of back cover.

Flow control switches are located inside module housing in black box next to battery compartment. Switches are set to default position:

Auto time out = 10 seconds
Shut off delay = 1 second

Remove four (4) screws and back cover to access switches.



Specifying An HG-2 and HG-4 Gas Appliance Connector

HG - _____ - _____

Hose Design	Order
Male to Male	2
Male to Quick-disconnect	4

Internal Thread and Diameter	Order
1/2" N.P.T.	C
3/4" N.P.T.	D
1" N.P.T.	E
1-1/4" N.P.T.	F

Suffixes	Order
SwiveLink Add SwiveLink fitting to both ends of the hose assembly	S
Installation Kit Includes everything necessary for an installation	K

Note: You may add an "S" and/or "K" suffix to your order.

Length	Order
24"	24
36"	36
48"	48
60"	60
72"	72

Example:
Gas hose and Installation Kit with Quick-disconnect, 3/4" N.P.T. and 48" long with SwiveLink fittings:

HG - 4D - 48SK



HG-2



HG-2S



HG-4



HG-4S

Specifying An HG-6 Gas Appliance Connector

HG-6 _____ - _____

Thread/Diameter	Order
1/2" N.P.T.	C
3/4" N.P.T.	D
1" N.P.T.	E
1-1/4" N.P.T.	F

Hose Length	Order
12"	12
24"	24
36"	36
48"	48
60"	60
72"	72

Example:
Gas hose with Reverse Quick-disconnect, 3/4" N.P.T., 48" long:

HG - 6D - 48



HG-6

Specifying A HG-S Stationary Appliance Connector

HG-S _____ - _____

Thread/Diameter	Order
3/4"	D

Hose Length	Order
36"	36
48"	48

Example:
Stationary gas hose, 3/4" diameter, 48" long:

HG - SD - 48



HG-S



Part No.	Description	Weight (Lbs.)	Pages
006678-45	Dipperwell bowl, stainless steel internal cup, outer container and tail washer, 4" length of 1-1/2" brass tubing	2.50	68-69
B-0100	Pre-rinse spray (B-0107) with flexible stainless steel hose, 36" hose, 1/2" NPT male inlet	3.66	4-5
B-0100-08	JeTSpray valve (B-0108) with flexible stainless steel hose, 36" hose, 1/2" NPT male inlet	-	4-5
B-0100-C	Pre-rinse low-flow spray valve (B-0107-C) with flexible stainless steel hose, 36" hose, 1/2" NPT male inlet	3.64	4-5
B-0101	Pre-rinse spray valve (O13E-36) with flexible stainless steel hose, 1/2" NPT male inlet	3.10	6-7
B-0101-A	Pre-rinse spray valve (O13E-36) with aerator, flexible stainless steel hose, 1/2" NPT male inlet	2.80	6-7
B-0102	Pot and glass filler, automatic shut-off valve, plain end curved nozzle, stainless steel hose, 1/2" NPT male inlet	3.98	8-9
B-0102-A	Pot and glass filler, automatic shut-off valve, hook nozzle, stainless steel hose, 1/2" NPT male inlet	4.00	8-9
B-0107	Pre-rinse spray valve with hold-down ring	1.16	10-11
B-0107-C	Low flow spray valve with hold-down ring	1.41	10-11
B-0107-C35	35° angle low flow spray valve with hold-down ring	1.02	10-11
B-0108	JeTSpray pre-rinse spray valve with hold-down ring	1.234	12-13
B-0108-C	Low flow JeTSpray pre-rinse spray valve with hold-down ring	1.234	12-13
B-0113	"Easy Install" single hole pre-rinse unit with flexible inlets with 1/2" couplings, 1/2" NPT male inlets	13.00	14-15
B-0113-A10-B08	"Easy Install" single hole pre-rinse unit, B-0108 JeTSpray valve, flexible inlets, 10" add-on faucet, wall bracket	-	16
B-0113-B	"Easy Install" single hole pre-rinse unit with flexible inlets with 1/2" couplings, 1/2" NPT male inlets, wall bracket	13.00	14-15
B-0123	"Easy Install" center deck faucet pre-rinse unit with 1/2" NPT eccentric flanged inlets, B-0107 spray valve	11.75	18-19
B-0123-B	"Easy Install" center deck faucet pre-rinse unit with 1/2" NPT eccentric flanged inlets, B-0107 spray valve, wall bracket	11.75	18-19
B-0131	Pre-rinse unit w/ center wall mounted faucet, 1/2" NPT eccentric flanged inlets, B-0107 spray valve, swivel arm	11.00	20-21
B-0131-B	Pre-rinse unit w/ center wall mounted faucet, 1/2" NPT eccentric flanged inlets, B-0107 spray valve, swivel arm, wall bracket	12.00	20-21
B-0133	"Easy Install" center wall mounted faucet with 1/2" NPT eccentric flanged inlets, B-0107 spray valve	12.00	22-23
B-0133-01	"Easy Install" center wall mounted faucet with 1/2" NPT eccentric flanged inlets, B-0107 spray valve, add-on faucet	14.50	22-23
B-0133-A10-B08	"Easy Install" center wall mounted faucet, B-0108 JeTSpray valve, flexible inlets, 10" add-on faucet, wall bracket	-	17
B-0133-B	"Easy Install" center wall mounted faucet with 1/2" NPT eccentric flanged inlets, B-0107 spray valve and wall bracket	12.25	22-23
B-0175	Faucet with swing nozzle and spray unit, center wall mounted faucet, add-on faucet, hanger hook	13.00	24-25
B-0200	Swivel pantry faucet, single hole with 4" spreader unit, 1" shank, 1/2" NPT male inlets, 18" swing nozzle	6.56	26-27
B-0201	Swivel pantry faucet, single hole with 4" spreader unit, 1" shank, 1/2" NPT male inlets, 12" swing nozzle	6.33	26-27
B-0205	Single swivel pantry faucet with 18" swing nozzle, 1/2" NPSM male shank and 1/4" NPT union type tailpiece	4.28	28-29
B-0207	Single swivel pantry faucet with 6" swing nozzle, 1/2" NPSM male shank and 1/4" NPT union type tailpiece	2.90	28-29
B-0208	Single pantry faucet, single hole base, deck mount, 6" cast spout	4.00	30-31
B-0220	Swivel mixing faucet, deck mounted with 18" swing nozzle, 1/2" NPT eccentric flanged female inlets	5.86	32-33
B-0221	Swivel mixing faucet, deck mounted with 12" swing nozzle, 1/2" NPT eccentric flanged female inlets	4.94	32-33
B-0221-CC	Swivel mixing faucet, deck mounted with 18" swing nozzle, 1/2" NPT CC male inlets	4.89	32-33
B-0225	Swivel pantry faucet, 4" centers, 18" swing nozzle, 1/2" NPT female inlets	4.50	40-41
B-0230	Swivel pantry faucet, deck mounted mixing faucet with 18" swing nozzle and 1/2" NPT eccentric flanged inlets	7.00	34-35
B-0231	Swivel pantry faucet, deck mounted mixing faucet with 12" swing nozzle and 1/2" NPT eccentric flanged inlets	5.66	34-35
B-0231-CC	Swivel pantry faucet, deck mounted mixing faucet with 12" swing nozzle and 1/2" NPT CC male inlets	5.66	34-35
B-0231-EE	Swivel pantry faucet, deck mounted mixing faucet with 12" swing nozzle and 1/2" NPT EE male inlets	5.31	34-35
B-0232-CC	Swivel pantry faucet, deck mounted mixing faucet with 12" swing nozzle and 1/2" NPT CC male inlets	4.71	34-35
B-0290	Big-flo faucet with 8" centers, 3/4" NPT model LL street el inlets with locknuts, 12" swing nozzle	8.00	36-37
B-0300	Double pantry faucet, single hole base, 4" spreader, rigid gooseneck, stream regulator	6.20	38-39
B-0325	Swivel pantry faucet, 4" centers, 133X swivel gooseneck, 1/2" NPT female inlets	5.00	40-41
B-0502	Double pedal valve, inlets 2-1/2" centers, 1/2" NPT inlets and outlets	4.70	42-43
B-0502-SL	Double pedal valve with metering cartridges, floor mount, inlets 2-1/2" centers, 1/2" NPT inlets and outlets	4.30	42-43
B-0504	Double pedal valve, wall mount, Inlets 2-1/2" centers, 1/2" NPT inlet and outlet	8.00	44-45
B-0504-SL	Double pedal valve with metering cartridges, wall mount, Inlets 2-1/2" centers, 1/2" NPT inlet and outlet	6.50	44-45
B-0507	Single pedal valve, floor mount, 1/2" NPT inlet and outlet	3.70	42-43
B-0507-SL	Single pedal valve with metering cartridge, floor mount, 1/2" NPT inlet and outlet	3.40	42-43
B-0575	Chinese range back mounted faucet "wok wand" for cold water only, nozzle with aerator, 3/8" NPT female inlet	2.11	46-47
B-0580	Pot filler, wall mounted with 18" double-joint nozzle, 1/2" NPT female inlet and adjustable flange	4.00	48-49
B-0592	Pot filler, wall mounted with single control, 18" double-joint nozzle, 1/2" NPT female inlet and adjustable flange	4.10	48-49
B-0605	Pot and kettle filler, wall mounted with single control, 1/2" NPT female inlet, vacuum breaker outlet	7.20	50-51
B-0610	Pot and kettle filler, wall mounted mixing faucet with 8" centers, 1/2" NPT female inlets, vacuum breaker	10.00	50-51



Part No.	Description	Weight (Lbs.)	Pages
B-0665-BSTP	Service sink faucet, wall mount, 8" centers, built-in stops, vacuum breaker, polished	8.30	52-53
B-0665-BSTR	Service sink faucet, wall mount, 8" centers, built-in stops, vacuum breaker, rough chrome	8.50	52-53
B-0665-RGH	Service sink faucet, wall mount, 8" centers, vacuum breaker, rough chrome	6.57	52-53
B-0950	Flexible stainless steel hose, 3/6", with self closing angle spray valve, 1/2" NPT male inlet, hold down ring	3.38	54-55
B-1110	Workboard faucet, deck mount, 4" centers, 4" swing nozzle, lever handles	4.00	60-61
B-1115	Workboard faucet, wall mount, 4" centers, 6" swing nozzle, lever handles	5.00	56-57
B-1120	Workboard faucet, deck mount, 8" centers, 6" swing nozzle, lever handles	3.32	58-59
B-1121	Workboard faucet, deck mount, 8" centers, 8" swing nozzle, lever handles	3.86	58-59
B-1123	Workboard faucet, deck mount, 8" centers, 12" swing nozzle, lever handles	4.33	58-59
B-1141	Workboard faucet, deck mount, 4" centers, 4" swivel gooseneck, lever handles	4.00	60-61
B-1146	Workboard faucet, wall mount, 4" centers, 133X swivel gooseneck, lever handles	4.00	56-57
B-1200	Wall mounted glass filler, 3/8" NPT female inlet, adjustable flange, volume regulator	1.24	62-63
B-1205	Wall mounted glass filler, 3/8" NPT male inlet, volume regulator, push back arm	1.00	62-63
B-1210	Pedestal single glass filler, 1/2" NPT male shank, flange, volume regulator, push back arm, instantaneous shut-off	2.76	64-65
B-1210-01	Pedestal single glass filler, 1/2" NPT male shank, flange, volume regulator, push back arm, instantaneous shut-off	2.76	64-65
B-1230	Water station with B-1210 glass filler, drip pan with grid drain, coupling nut with sweat tailpiece for copper tube connection	8.00	66-67
B-2282	Dipperwell faucet, 5-3/4" high, 1-3/8" above table and 1/16" solder inlet	1.25	68-69
B-2282-01	Dipperwell faucet, 5-3/4" high, 1-3/8" above table and 1/16" solder inlet; and 006678-45 Dipperwell bowl	3.75	68-69
B-3950	Twist waste valve with 3-1/2" NPT sink opening, 1-1/2" NPT drain outlet	5.00	70-71
B-3952	Twist waste valve with 3-1/2" NPT sink opening, 2" NPT drain outlet	5.00	70-71
B-3960	Twist waste valve with overflow cap, 3-1/2" NPT sink opening, 2" NPT drain outlet	5.00	72-73
B-3962	Twist waste valve with overflow cap, overflow assembly, 3-1/2" NPT sink opening, 2" NPT drain outlet	5.00	72-73
B-7122-C01	Enclosed stainless steel hose reel with EB-0107 spray valve, 30' hose, 3/8" I.D.	43.00	74-75
B-7122-C01M	Enclosed stainless steel hose reel with B-0107 spray valve, 30' hose, 3/8" I.D.	43.00	74-75
B-7122-C02	Enclosed stainless steel hose reel with MV-2516-24 rear trigger water gun, 30' hose, 3/8" I.D.	48.00	74-75
B-7122-C05	Enclosed stainless steel hose reel with MV-2522-24 front trigger water gun, 30' hose, 3/8" I.D.	43.90	74-75
B-7122-C08M	Enclosed stainless steel hose reel with B-0108 JetSpray valve, 30' hose, 3/8" I.D.	-	74-75
B-7122-C10	Enclosed stainless steel hose reel with EB-2232 extended spray valve, 30' hose, 3/8" I.D.	-	74-75
B-7132-01	Open stainless steel hose reel with EB-0107 spray valve, 35' hose with 3/8" I.D.	38.05	76-77
B-7132-01M	Open stainless steel hose reel with B-0107 spray valve, 35' hose with 3/8" I.D.	38.05	76-77
B-7132-02	Open stainless steel hose reel with MV-2516-24 rear trigger water gun, 35' hose with 3/8" I.D.	38.02	76-77
B-7132-05	Open stainless steel hose reel with MV-2522-24 front trigger water gun, 35' hose with 3/8" I.D.	41.70	76-77
B-7132-08M	Open stainless steel hose reel with B-0108 JetSpray valve, 35' hose with 3/8" I.D.	-	76-77
B-7132-10	Open stainless steel hose reel with EB-2232 extended spray valve, 35' hose with 3/8" I.D.	-	76-77
B-7222-C01	Enclosed epoxy coated hose reel with EB-0107 spray valve, 30' hose with 3/8" I.D.	46.30	78-79
B-7222-C01M	Enclosed epoxy coated hose reel with B-0107 spray valve, 30' hose with 3/8" I.D.	46.30	78-79
B-7222-C02	Enclosed epoxy coated hose reel with MV-2516-24 rear trigger water gun, 30' hose with 3/8" I.D.	-	78-79
B-7222-C05	Enclosed epoxy coated hose reel with MV-2522-24 front trigger water gun, 30' hose with 3/8" I.D.	47.00	78-79
B-7222-C08M	Enclosed epoxy coated hose reel with B-0108 JetSpray valve, 30' hose with 3/8" I.D.	-	78-79
B-7222-C10	Enclosed epoxy coated hose reel with EB-2232 extended spray valve, 30' hose with 3/8" I.D.	-	78-79
B-7232-01	Open epoxy coated hose reel with EB-0107 spray valve, 35' hose with 3/8" I.D.	38.90	80-81
B-7232-01M	Open epoxy coated hose reel with B-0107 spray valve, 35' hose with 3/8" I.D.	38.90	80-81
B-7232-02	Open epoxy coated hose reel with MV-2516-24 rear trigger water gun, 35' hose with 3/8" I.D.	-	80-81
B-7232-05	Open epoxy coated hose reel with MV-2522-24 front trigger water gun, 35' hose with 3/8" I.D.	40.0	80-81
B-7232-08M	Open epoxy coated hose reel with B-0108 JetSpray valve, 35' hose with 3/8" I.D.	-	80-81
B-7232-10	Open epoxy coated hose reel with EB-2232 extended spray valve, 35' hose with 3/8" I.D.	-	80-81
EC-3100	Electronic sensor faucet, deck mounted, rigid gooseneck, integral spout, AC/DC control module, temperature mixing valve	6.45	82-83
EC-3100-SM	Electronic sensor faucet (EC-3100) with side mount B-2740 faucet, AC/DC control module, temperature mixing valve	-	84-85
EC-3101	Electronic sensor faucet, wall mounted, rigid gooseneck, integral spout, AC/DC control module, temperature mixing valve	6.85	82-83
EC-3102	Electronic sensor faucet, single hole deck mounted, integral spout, AC/DC control module, temperature mixing valve	6.70	82-83
EC-3102-SM	Electronic sensor faucet (EC-3102) with side mount B-2740 faucet, AC/DC control module, temperature mixing valve	-	84-85
EC-3103	Electronic sensor faucet, centerset deck mounted, integral spout, AC/DC control module, temperature mixing valve	8.65	82-83
HG- & HG-S-	Refer to page 88 for ordering all gas and stationary appliance connectors	Varies	86



Swing Nozzles SN Nozzle tip has male threads with a stream regulator

Model	Length	Clearance	Outlet Series
059X	6" (152 mm)	2-5/16" (59 mm)	1
060X	8" (203 mm)	2-15/16" (74 mm)	1
061X	10" (254 mm)	3-5/8" (92 mm)	1
062X	12" (305 mm)	3-3/4" (95 mm)	1
063X	14" (356 mm)	5" (127 mm)	1
064X	16" (406 mm)	5-13/16" (147 mm)	1
065X	18" (457 mm)	6-3/8" (162 mm)	1



Rigid Goosenecks RG Nozzle tip has 3/8" NPSM with a stream regulator

Model	Spread	Height	Clearance	Outlet Series
119X	2-3/4" (70 mm)	8-3/4" (222 mm)	5-1/4" (133 mm)	2
120X	5-1/2" (140 mm)	10-1/4" (261 mm)	5-5/16" (135 mm)	2
122X	5-1/2" (140 mm)	11-1/4" (292 mm)	6-7/16" (164 mm)	2
123X	5-1/2" (140 mm)	12-1/2" (318 mm)	7-1/2" (190 mm)	2
124X	5-1/2" (140 mm)	13-1/2" (343 mm)	8-9/16" (217 mm)	2
125X	5-1/2" (140 mm)	14-1/2" (368 mm)	9-9/16" (243 mm)	2
126X	5-1/2" (140 mm)	15-1/2" (394 mm)	10-1/2" (267 mm)	2
127X	7-5/8" (194 mm)	10-1/2" (267 mm)	4-1/2" (114 mm)	2
128X	7-5/8" (194 mm)	13-1/2" (343 mm)	7-9/16" (192 mm)	2
129X	8-5/8" (219 mm)	11-3/4" (298 mm)	5-1/2" (140 mm)	2
130X	12-3/16" (310 mm)	13-3/8" (340 mm)	4-9/16" (116 mm)	2
165X	4-1/16" (103 mm)	8-1/4" (210 mm)	4-13/16" (122 mm)	2



Swivel Goosenecks SG Nozzle tip has male threads with a stream regulator

Model	Spread	Height	Clearance	Outlet Series
131X	2-13/16" (71 mm)	4-3/4" (1202 mm)	2-9/16" (65 mm)	1
132X	2-3/4" (70 mm)	9-1/16" (230 mm)	5-9/16" (142 mm)	2
133X	5-11/16" (145 mm)	10-3/8" (264 mm)	6-3/8" (162 mm)	1
134X	7-3/4" (192 mm)	11-7/16" (290 mm)	5-1/2" (139 mm)	2
135X	8-3/4" (223 mm)	12-1/16" (306 mm)	5-9/16" (142 mm)	2
136X	12-1/4" (310 mm)	14-11/16" (373 mm)	5-3/8" (137 mm)	2





Rigid Vacuum Breaker Gooseneck RVBG

Model	Spread	Height	Clearance	Outlet Series
B-0405-02	5-5/8" (142 mm)	8-7/8" (226 mm)	4-1/2" (114 mm)	2
B-0405-03	8-9/16" (217 mm)	8-7/8" (226 mm)	4-1/2" (114 mm)	2
B-0405-04	11-5/8" (295 mm)	8-7/8" (226 mm)	4-1/2" (114 mm)	2



Swivel Vacuum Breaker Gooseneck SVBG

Model	Spread	Height	Clearance	Outlet Series
B-0406-02	5-5/8" (142 mm)	9" (229 mm)	4-11/16" (119 mm)	2
B-0406-03	8-5/8" (219 mm)	9" (229 mm)	4-11/16" (119 mm)	2
B-0406-04	11-5/8" (295 mm)	9" (229 mm)	4-11/16" (119 mm)	2
B-0407-02	5-5/8" (142 mm)	8-11/16" (221 mm)	4-3/8" (111 mm)	2
B-0407-03	8-5/8" (219 mm)	8-11/16" (221 mm)	4-3/8" (111 mm)	2
B-0407-04	11-5/8" (295 mm)	8-11/16" (221 mm)	4-3/8" (111 mm)	2



Swivel Cast Spout SCS

Model	Length	Height	Clearance	Outlet Series
OSC6	6" (152 mm)	2-3/8" (60 mm)	15/16" (24 mm)	2
OSC8	8" (203 mm)	5-3/16" (132 mm)	3-13/16" (96 mm)	2



Vacuum Breaker Swing Nozzle with Stream Regulator SVBN

Model	Spread	Height	Outlet Series
B-0408-02	5-5/8" (142 mm)	3-11/16" (94 mm)	2
B-0408-03	8-5/8" (219 mm)	3-11/16" (94 mm)	2
B-0408-04	11-5/8" (295 mm)	3-11/16" (94 mm)	2



Vacuum Breaker Swing Nozzle with Garden Hose Thread SVBNGH

Model	Spread	Height	Outlet Series
B-0409-02	5-5/8" (142 mm)	3-11/16" (94 mm)	2
B-0409-03	8-5/8" (219 mm)	3-11/16" (94 mm)	2
B-0409-04	11-5/8" (295 mm)	3-11/16" (94 mm)	2





Conversion Adapters CA

Model	Type	Application
B-0412	Rigid to swivel	Use for converting faucet with 3/8" NPT outlet is installed and swivel gooseneck or nozzle is required
B-0413	Swivel to rigid	Use for converting faucet with swivel outlet
B-0414	Gooseneck coupling	Adapts 3/8" IPS pipe gooseneck to faucets with 3/8" IPS outlet, providing either a swivel or union connection



Hose Adapters

Model	Description
052A	1/4" NPT female
053A	3/8" NPT male (Chicago)
054A	3/8" NPT female
055A	1/2" NPT male
056A	1/2" NPT female
057A	3/4" NPT male
058A	3/4" NPT female
059A	G.H. female
172A	1/4" NPT male (Fisher)
098A	Connect two hoses

Lever, Four-Arm and Dome Handles

Model	Type
-------	------

Lever Handles LH

001636-45	Chrome plated zinc lever handle with blue index (cold) button and screw
001637-45	Chrome plated zinc lever handle with red index (hot) button and screw
010027-40	Chrome plated solid brass handle



Four-Arm Handles 4AH

001660-45	Chrome plated zinc lever handle with blue index (cold) button
001661-45	Chrome plated zinc lever handle with red index (hot) button



Dome Handles DH

001784-45	Polished chrome zinc metal handle with blue (cold) index button and screw
001783-45	Polished chrome zinc metal handle with red (hot) index button and screw



Wrist-Action Handles WH

Model	Application
B-WH4-H	Chrome plated forged brass 4" (102 mm) handle with hot index button and screw
B-WH4-C	Chrome plated forged brass 4" (102 mm) handle with cold index button and screw
B-WH6-H	Chrome plated forged brass 6" (152 mm) handle with hot index button and screw
B-WH6-C	Chrome plated forged brass 6" (152 mm) handle with cold index button and screw





Club, Cross and Swirl Decorative Handles

Model	Type
009332-41	Club handle, chrome plated, hot side
009331-41	Club handle, chrome plated, cold side
009330-41	Cross handle, chrome plated, hot side
009329-41	Cross handle, chrome plated, cold side
009328-41	Swirl handle, chrome plated, hot side
009227-41	Swirl handle, chrome plated, cold side



Aerators

Model	Series 1	Series 2	Series 3	Type
Aerator	B-0199-01	B-0199-02	B-0199-03	Non-splash
Vandal Resistant Aerator	B-0199-06	B-0199-07	B-0199-08	Vandal resistant, non-splash
Flow Control Aerator (see chart below)	B-0199-01F	B-0199-02F	B-0199-03F	Non-splash, flow control
Vandal Resistant, Flow Control Aerator (see chart)	B-0199-06F	B-0199-07F	B-0199-08F	Non-splash, vandal resistant, flow control



Flow Control Chart

Add suffix to model number to designate flow rate

Flow Rate	Suffix
0.25	F-03
0.40	F-05
0.70	F-07
0.90	F-10
1.20	F-12
1.40	F-15
2.00	F-20
2.50	F-25

Fittings

Model	Description
B-GH	Garden hose outlet, 3/8" NPSM male x garden hose male adapter
B-GFE	Garden hose outlet, female thread fits on end of nozzle or gooseneck to convert aerator male thread to male garden hose thread
B-0199-21	Laminar flow, 55/64-27 female inlet
B-0199-21VRF	Laminar flow, 55/64"-27 female inlet, vandal resistant, 2.75 GPM
B-0199-21VRM	Laminar flow, 55/64"-27 male thread, vandal resistant, 2.75 GPM
B-0103	Rosespray, 3/8" NPSM male thread, 4 GPM
B-0103-F	Rosespray, 3/8" NPSM male thread, 4 GPM, with flow control (see above chart)
B-0103-HV	Rosespray, 3/8" NPSM male thread, 4 GPM, with high velocity rosespray
B-0198	Serrated hose end, 3/8" NPT male inlet. Serrated hose end accepts rubber or plastic tubing to 1/2" I.D.
B-PT	Stream regulator (female), female aerator thread, plain outlet with screen and washer
B-LT	Stream regulator, 3/8" male thread, plain outlet
B-0429	Supply nipple, 3-3/8" length





RELIABILITY BUILT IN

Add-On Faucets



B-0156

Model

B-0155 Same as B-0156 except with 6" (305 mm) nozzle (059X)

B-0155-LN Add-on faucet less nozzle

B-0155-05 Same as B-0155 except with 5" (127 mm) nipple

B-0155-05LN B-0155-05 add-on faucet less nozzle

B-0156 Add-on faucet with 12" (305 mm) nozzle (062X)

B-0156-05 Same as B-0156 except with 5" (127 mm) nipple

B-0156-175F Add-on faucet with 4-arm handle (175F)

B-0157 Same as B-0155 except with 18" (457 mm) nozzle (065X)

B-0157-05 Same as B-0157 except with 5" (127 mm) nipple

B-0158 Add-on faucet with 14" (356 mm) nozzle (063X)

Note: The B-0156 increases the height of a pre-rinse unit by approximately 4-1/2" (114 mm). Different nozzles are also available – single or double-jointed.

Flexible Stainless Steel Hoses



B-0044-H



013E-36

Add-On Faucets, Wall Brackets and Hoses

Wall Brackets



B-0109-01

Model

B-0109-01 6" (152 mm) – fits 3/8" pre-rinse riser

B-0109-02 9" (229 mm)

B-0109-03 12" (305 mm)

B-0109-04 18" (457 mm)

B-0109-05 24" (610 mm)

B-0109-06 3" (76 mm)

B-0109-07 2-3/8" (60 mm)

B-0110 Same as B-0109-01 except fits 1/2" pre-rinse riser

Flexible Stainless Steel Hoses

Model

B-0015-H 14-3/4" flexible stainless steel hose

B-0020-H 20" flexible stainless steel hose

B-0024-H 24" flexible stainless steel hose

B-0026-H 26" flexible stainless steel hose

B-0028-H 28" flexible stainless steel hose

B-0032-H 32" flexible stainless steel hose

B-0036-H 36" flexible stainless steel hose

B-0044-H 44" flexible stainless steel hose

B-0048-H 48" flexible stainless steel hose

B-0050-H 50" flexible stainless steel hose

B-0054-H 54" flexible stainless steel hose

B-0056-H 56" flexible stainless steel hose

B-0060-H 60" flexible stainless steel hose

B-0068-H 68" flexible stainless steel hose

B-0072-H 72" flexible stainless steel hose

B-0080-H 80" flexible stainless steel hose

B-0096-H 96" flexible stainless steel hose

B-0104-H 104" flexible stainless steel hose

B-0144-H 144" flexible stainless steel hose

Note: On all hoses above the handle equals 8" of total length

Flexible Stainless Steel Hoses 7/16" I.D.

Model

013E-36 36" flexible stainless steel hose

013E-48 48" flexible stainless steel hose

013E-60 60" flexible stainless steel hose

013E-72 72" flexible stainless steel hose

Company History

With a steadfast commitment to quality, T&S Brass and Bronze Works, Inc. for half a century has set the standard of excellence for the plumbing industry.

Founded in 1947, T&S originally developed foodservice plumbing equipment, including the markets first pre-rinse unit, which became the industry standard. Then, in 1950, the company introduced its full line of foodservice plumbing products and established T&S as the premiere manufacturer in the industry. By 1953, T&S introduced the foot pedal valve, yet another product that became the industry standard.

Over the next four decades, the company entered new markets within the plumbing industry. In 1956, T&S made its debut in the laboratory market with its Lab-Flo line of laboratory service fittings. Four years later, the company expanded into nonresidential markets with industrial-grade faucets for institutional applications, and penetration of the commercial plumbing market began.

Today, T&S produces faucets, fittings and specialty products for foodservice, industrial, commercial plumbing and laboratory markets. Its products have become the standard for the majority of U.S. hospitals, schools, restaurants, prisons and public facilities.

The T&S expansion, however, has not been limited to the borders of the United States. During the last 20 years, the company has significantly increased its overseas exports. Today, representatives sell T&S products in Europe, Australia, the Middle East, Canada, Japan, southeast Asia and South America.

To support its growing global distribution system, T&S has established facilities on several continents. Currently, more than 200 employees manufacture products and service customers from company headquarters in Travelers Rest, South Carolina. A second U.S. distribution center was opened in Simi Valley, California to service the west coast more efficiently. An overseas office and distribution center is located in Europe.

Leading the way in innovation, quality manufacturing and customer service, T&S will remain dedicated to the same commitment of excellence which established its reputation as The Single Source Solution for every plumbing application that customers have learned to trust.

Warranty Information

All T&S products are warranted to be free from defects in material and workmanship for a period of one (1) year from the date of purchase. Liability is limited thereunder to factory repair and/or replacement of material found to be defective, after examination by T&S, during the warranty period. No claims for labor, shipping costs or consequential damages will be accepted or honored.

Replacement and/or repair under this warranty will be made within a reasonable time after receipt by T&S of the allegedly defective item.

Items which have received secondary finishing or have been altered in any way after purchase are not covered by this warranty. Claims resulting from damaged cartons must be filed with the carrier.

Some states do not allow limitations on how long an implied warranty lasts or on the exclusion of incidental or consequential damages, so all the limitations or exclusions appearing herein may not be permitted by your state and, therefore, your local statutes should be consulted with respect thereto or with respect to any other rights which your state statutes may specifically confer on you.

After receiving proper authorization, all returns of merchandise which are claimed defective under this warranty must be sent to T&S Brass and Bronze Works, Inc., P.O. Box 1088, 2 Saddleback Cove, Travelers Rest, South Carolina 29690, clearly marked to the attention of Warranty Repair Department. Shipping charges, both ways, shall be paid by the customer.





RELIABILITY BUILT IN™

www.tsbrass.com



Certified to
ANSI/NSF 61
Section 9

T&S Brass and Bronze Works, Inc. · 2 Saddleback Cove · P.O. Box 1088 · Travelers Rest, SC 29690
Phone (800) 476-4103 · Fax (800) 868-0084 · E-mail: tsbrass@tsbrass.com

West Coast Sales and Distribution · 709 E. Cochran Street · Unit D & E
Simi Valley, CA 93065 · Phone (800) 423-0150

European Sales and Distribution · 'De Veenhoeve' · Oude Nieuwveen 84 · 2441 CW Nieuwveen
The Netherlands · Phone 011-31-1725-83750