



www.santos.fr



RoHS
COMPLIANT
2002/95/EC



Cold Drink Dispenser #34

For bars, hotels, restaurants, institutions, fast food, snack shops, sandwich bars...

Dispense all kind of beverage such as fruit punch, sangria, lemonades, iced tea or fruit juice...



Internationally patented models



Cold drink

Powerful / Efficient / Durable

The ideal appliance for dispensing all kind of cold beverage such as fruit juices (with pulp or not), sangria, lemonades, water, iced tea, iced coffee or milk, premixed drinks from concentrate or powder...

Easy to use: just press the glass or the jug against the tap to get the drink.

Dedicated to bars, hotels, restaurants, institutions, fast-foods, pizzerias, snack shops or sandwich bars...

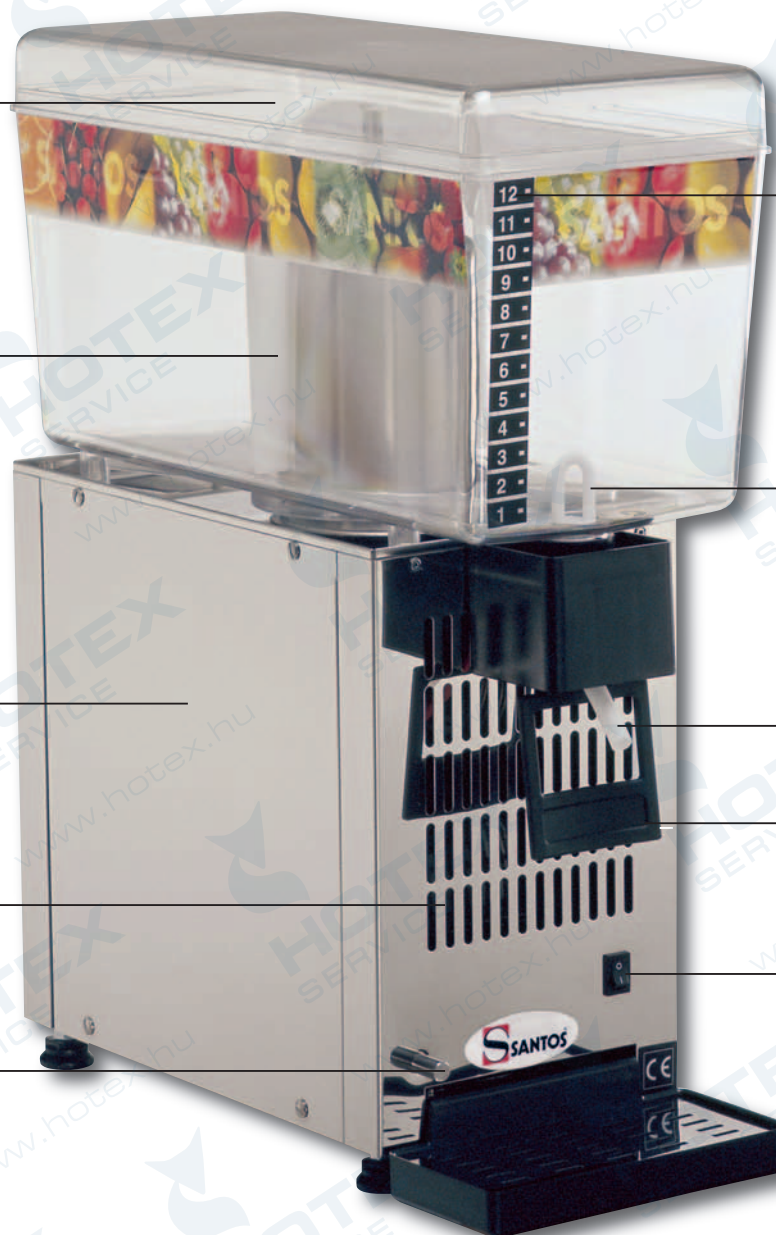
Removable bowl and cover made of alimentary and unbreakable polycarbonate (12 litre capacity)

Stirring paddle avoids foaming and oxidation of beverage.
System is driven by a reliable and long lasting gear motor.

Removable stainless steel side panel (easy access to main components)

Air cooled system with ventilation from the front to the rear.
No problem to put other machine beside the Santos one.

Special system for condensation collect



Level mark

Removable tap screw.

Removable vertical spray tube (can accept pulp)

Removable push handle. Just press to get the drink.

1 mixing device switch.
1 switch per bowl.
Each bowl mixing operates independently of each other.



www.santos.fr

Dispenser #34

A large range of dispensers available



34 - 1 (single bowl)
12 litre capacity



34 - 2 (twin bowl)
2 x 12 litre capacity



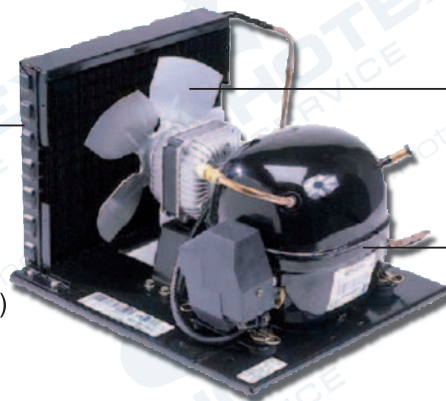
34 - 3 (triple bowl)
3 x 12 litre capacity

Reliable and performing refrigeration system

Developed in cooperation with l'Unité Hermétique (Tecumseh Europe)

Wide air-cooled condenser allows chilling of the drinks.

Adjustable thermostat (one for each bowl) according to local climate conditions and required drinks temperature



Specific fan allows better efficiency.

High pressure hermetically sealed compressor. High quality and long lasting compressor designed for tropical countries. Very silent, R134a fluid.

Technical specifications

3 models available in different voltages: 220-240V - 50 Hz; 220-240V - 60 Hz; 100-120V - 50/60 Hz.

	1 Bowl	2 Bowls	3 Bowls	
Capacity	1 x 12 litre	2 x 12 litre	3 x 12 litre	
Motor power	160 W - 1/5 HP	260 W - 1/3 HP	330 W - 3/7 HP	
Net weight	15 kg - 33 lbs	24 kg - 53 lbs	33 kg - 71 lbs	
Shipping weight	17 kg - 38 lbs	26 kg - 57 lbs	35 kg - 77 lbs	
Dimensions :	Height:	545 mm - 21"	545 mm - 21"	
	Width:	190 mm - 7.5"	380 mm - 15"	570 mm - 22.5"
	Depth:	430 mm - 17"	430 mm - 17"	430 mm - 17"
R134A Fluid Charge	60 g	139 g	200 g	

Safety - Standards - Hygiene

In accordance with the following regulations:

- ◆ Machinery directive 98/37/EC
- ◆ Electromagnetic compatibility 89/336/EEC
- ◆ Electrical equipment designed for use within certain voltage limits "low voltage" 73/23/EEC
- ◆ RoHS directive 2002/95/EC
- ◆ Harmonized European standards EN ISO 12100-1 et 2 :2004 - EN 60204-1 : 2006

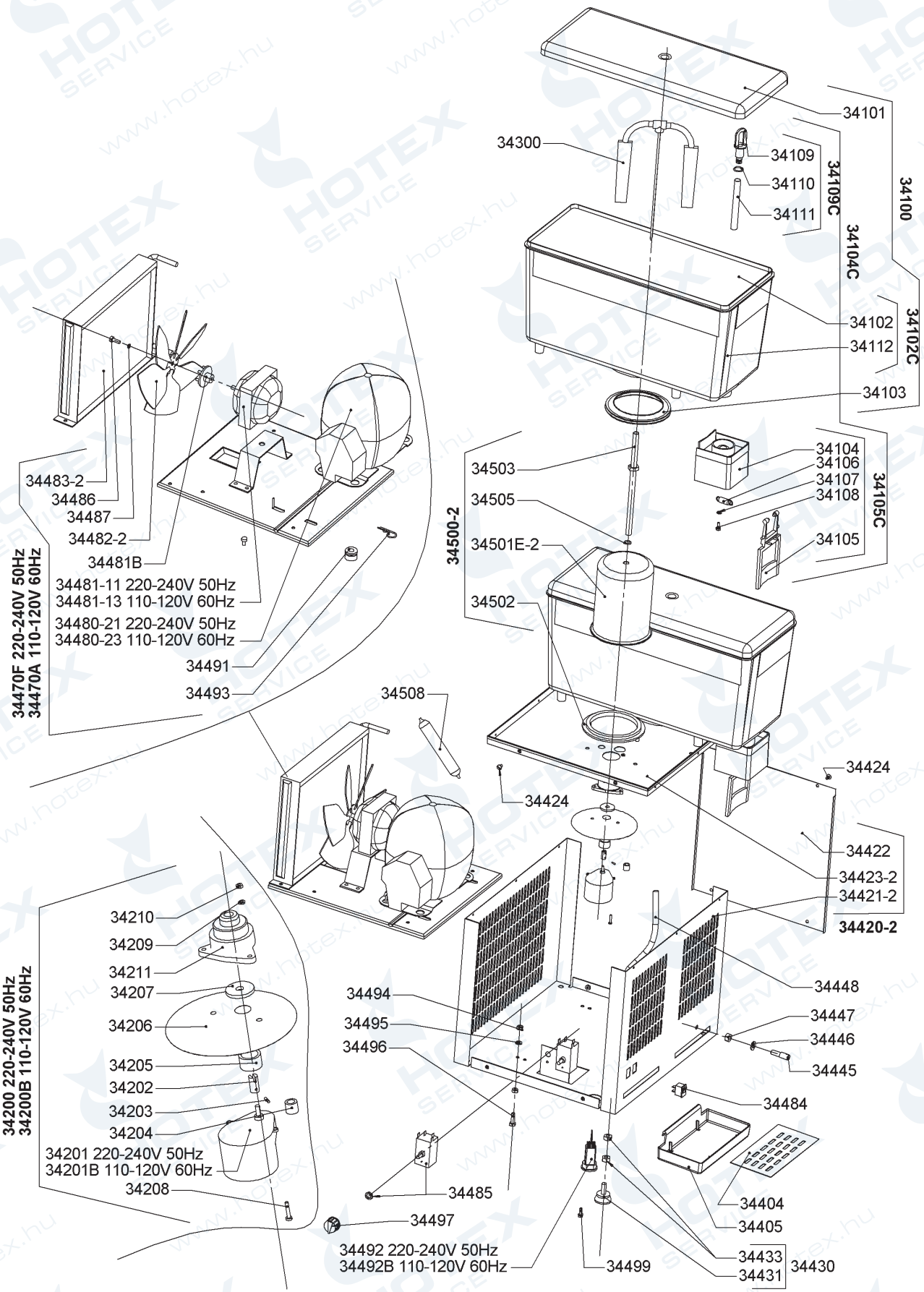
Thermal safety

Overload protection integrated in compressor.

Hygiene

All the parts in contact with beverage are made of alimentary materials and are removable without any tool.

Cold drink dispenser #34 (34-2 exploded view)*



*For 34-1 or 34-3 exploded views, please visit our website